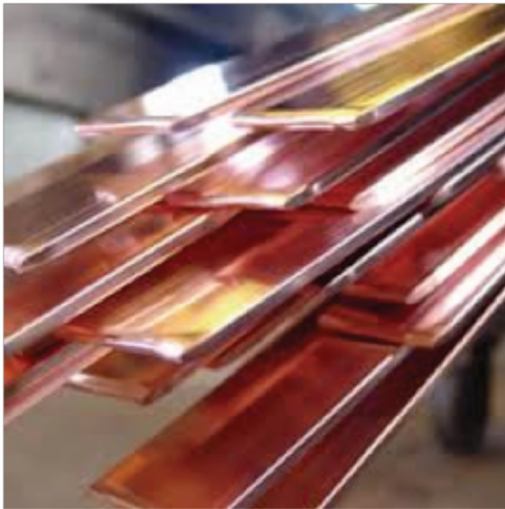


HIGHPOWER busbar systems is hosting advanced technology. Compact structure and chassis system is produced with homeostasis as a Protective Case from Anodized Coated. Aluminum anodizing of aluminum is capable of rapid cooling.

Rapid cooling; Busbar systems transfer the heat to the case, and case transfer it to air flow from there into the environment and the temperature of the system lowers. These system minimize the electrical losses of a technical nature. This structure increases the efficiency of the system.



Bar structure; **HIGHPOWER** busbar systems used in transmission and distribution structure and the bar much higher than the recommended amperage short term is designed in accordance with current carrying capacity.

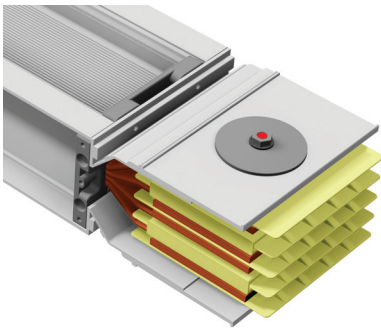
Copper and Aluminum busbars **HIGHPOWER** bar is individually designed for the transmission and distribution systems, also for reliable ground fifth bar are offered as standard. Also can be used as an earthing Porters extra at the checkout.

Isolation; **HIGHPOWER** transmission and distribution systems, busbar insulation structure used as a standard **HIGH ELECTRICAL INSULATING COATINGS PAINT® + TEFLON FILM** **® DUBLE INSULATION** material is formed from the combination. This structure in the production of busbar system like no other in its class is very high thermal and electrical insulation.

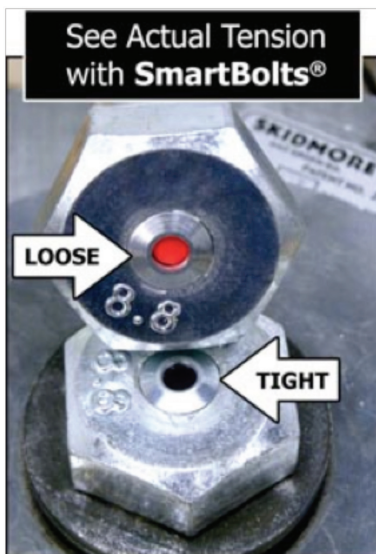


This structure, which is automatically applied to the bar on the **HIGH ELECTRICAL INSULATING COATINGS PAINT® + TEFLON FILM® DUBLE INSULATION** with an excellent thermal and electrical isolation is achieved.

The busbar system's most important topic is heat and electrical isolation. Insulation temperature that occurs rapidly transfers while allowing electrically short-circuit and temperature transformed the losses to occur is minimized. Insulation busbar system lead to High Efficiency.



System structure of the plastics used in combination and the insertion point, high electrical insulating materials are glass fiber reinforced. Additional kit subtracted from one another as two separate parts, and without affecting other parts of every point in three-dimensional axis allows it to be removed.



In addition to the closure of the system, the clamping force will be applied automatically to the user with the color change indicating the **Smartbolts®** bolt system is used.

Smartbolts® color display located in tightening the bolts to the required torque being applied automatically determine. If applying the required torque **Smartbolts®** bolt system turns to black color on the surface of red determine completion of the process is accurately.

When **Smartbolts®** bolt system are tighten, clouts located on both sides of the two surfaces are perfectly matched and applied high pressure.

Located on both sides and interlocking group of high-strength aluminum cover additional groups to be added seamlessly to the other busbar systems provide.

Additional accessories for the part due to its modern design and is protected against defects in workmanship. Occurs because the bolt is fully tightened to avoid damage to the formation of heat and electrical **NEP** busbar systems will not recognize the modern structure and technology facilities.

Installation of additional parts in the **NEP** system is protected. Mounting is not fully realized or due to the emergence of a problem, the red dot on **Smartbolts**® bolt system does not turn into blackheads.

Thus, the user understands if an additional part is correctly terminated with change of the color visually.

If left as loose of a bolt, even users can't realize the transformation of the color change, additional cover does not close and user understands the process not completed.

Even lid is closed in any case and with force, every additional point subsequent to the temperature difference and **MDA TEMPERATURE WARNING SYSTEM** * notificates to the center the problem to resolve the problem. With this structure, the most reliable structure busbar system in its class.

HIGHPOWER additional parts provides standard protection IP 55 and as an option IP 65 and 67 can be provided also with high performance accessories.

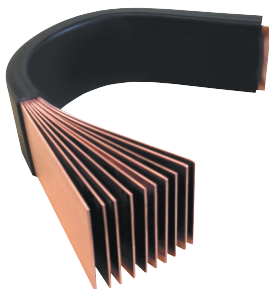
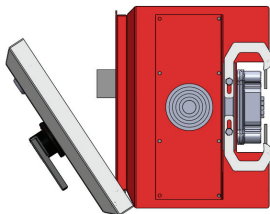
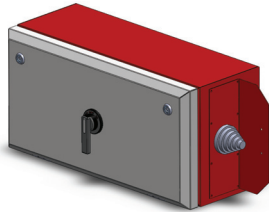
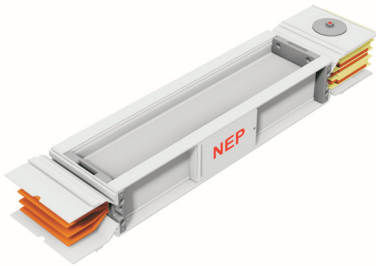
HIGHPOWER Busbar is the most technologic system of its class. **MDA** Automation provides an intelligent management system which saves time and increases efficiency with preventing the users system check and monitoring.

MDA system in busbar applications, operates open and close operations by communicating at plugin box and panels with only using a PC or a smart phone. **HIGHPOWER** Busbar with **MDA** equipment is the most technologic system of its class

* **MDA heat warning system can be purchased as an option.**

HIGHPOWER equipped with **MDA** ;

- There is a communication between Distribution panel with busbar system.
- For other lines fed from the main line opening and closing operations can be on a server with using smart phone.
- For the desired output box opening and closing operations can be on a server with using smart phone.
- Each additional point or regional spot can be check for the temperature control via a PC. Unexpected temperature rise reports can be sent to center of operation.
- Generator and mains power can be selected automatically.
- Electrical values, such as current, voltage and power, passing through the busbar, can be measured.
- Imbalance between phases can be reported and thus can be controlled by the reports.
- Reporting the electrical losses can increase efficiency.



• Accessories; **HIGHPOWER** has most accessories of the its class. In a project, **HIGHPOWER** offers all the parts as standard parts for necessary parts so it reduces the need for custom manufacturing.

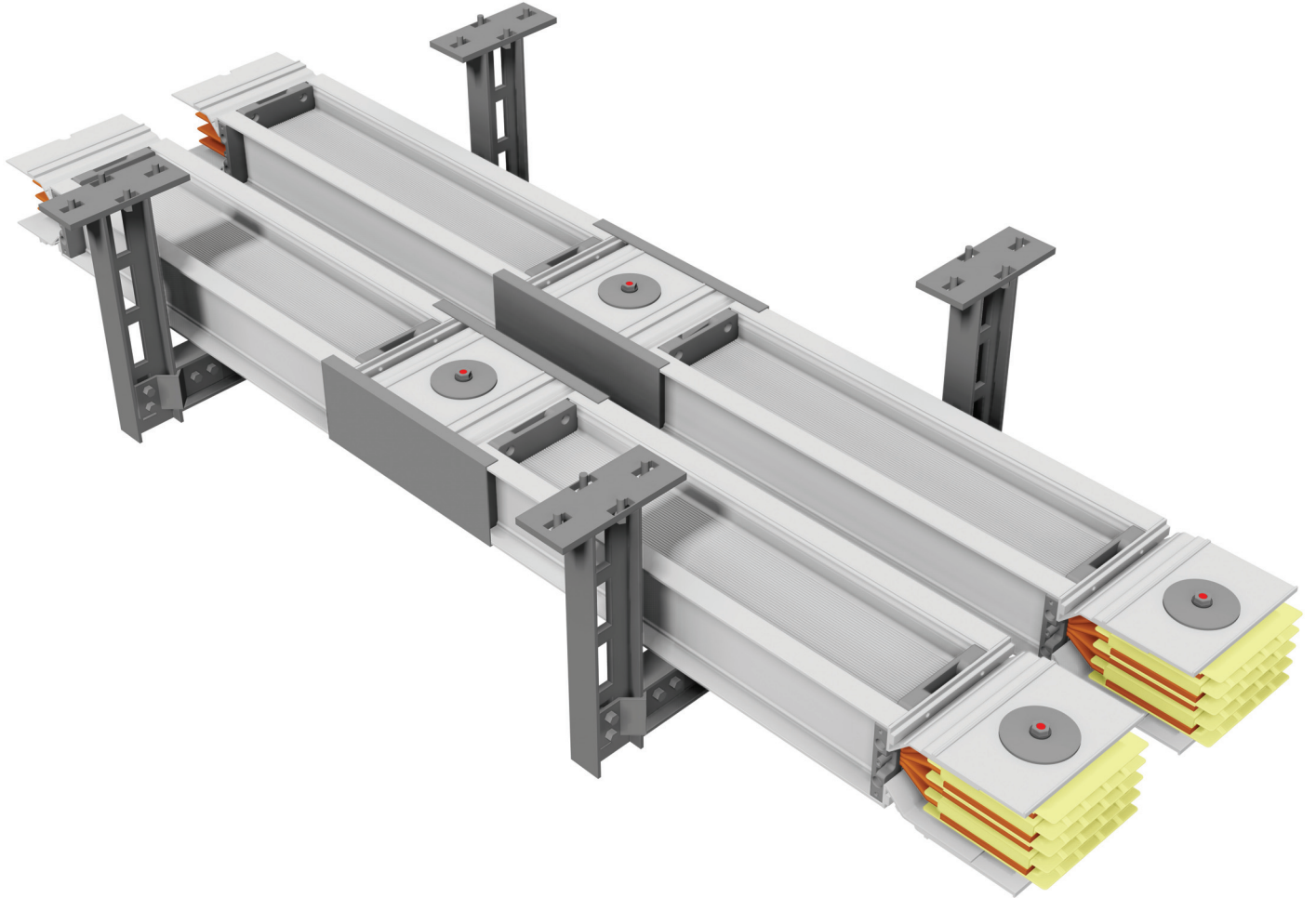
• Output box; **HIGHPOWER** outlet boxes have a flexible structure. To connect the switch box, copper busbar connections are not needed . A special connection between switch and the output point is available. This connection type is suitable for every brand switch.

• **HIGHPOWER** amperage output plugs are not have different structures for each different amps. 800 Amps output plug can be used to 6300Amp without changing anypart need additional part.

• With this structure, **HIGHPOWER** busbar systems severely reduce stock costs and not used outlet box can be used in another lines.

Suspension Kit; **HIGHPOWER** busbar systems has a compact sling system. The special structure of the system, busbar mounting structure offers the fastest solution.

Strap on the adjustment mechanism of sling provides hanging procedures with each size. **HIGHPOWER** busbar systems have a modern structure to control earthquake and seismic movements. With prepared project details sling system of the busbar can be ordered previously or with busbars by the customer.



HIGHPOWER BUSBAR SYSTEMS

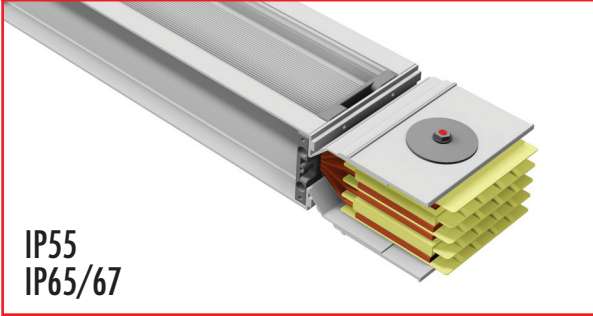
- Produced for 800 Amps to 6300 Amps.
- Respectively **HIGHPOWER** current limits for one trunk, double trunk and three trunk are 2500 Amps, 5000 Amps and 6300 Amps.
- Carrier coat is manufactured from insulated Anodized Aluminum Case.
- Aluminum case has the rapid cooling capability. In Sandwich busbars, there is no air gap between the conductor and the body, so heat generated in the conductor transfers through the aluminum body easily.
- It is mounted with Patented Clinching System so it is not affected by high short-circuits.
- It is produced in two distinct varieties as Bolt-on and plug-in class.
- All accessories and straight lengths completely have "compact sandwich" structure.
- Sandwich busbar axes of the conductors in busbar systems are very close to each other thus the inductive reactance is very low.
- Copper and aluminum busbars are produced separately.
- Insulation of busbars are provided with two separate materials.
- Busbar surface is painted with Insulation paint completely excluding jointing.
- Then one more layer is enhanced with Teflon insulation.
- **"DOUBLE INSULATION"** supplies F class heat and high electrical insulation.
- Joints can carry more current than 35% of the nominal current.
- Torque wrench is not need for joints.
- **Smartbolts**® correctly shows its status to users with changing colors.
- Additional points of busbar systems are used for a single bolt. Special washer on each end of the bolt structure, which secures the contact pressure in all kinds of conditions such as heat, also prevents loosening of bolts.
- It is easy to see changing color when bolt is not tightened.
- It is impossible to close closure case if it is not properly mounted.
- If bolt is loosening after closure case is closed, **MDA Temperature Warning System** alerts.
- **MDA Temperature Warning System** informs customers about heat variation so joints are protected.
- Mounting of Plug-in and Bolt-on output plug are so practical and easy.
- Plug in output plug can supply 800 Amper and Bolt on output plug supply as much as rated current of busbar.
- In output plug, desired brand switches can be used without modification.
- Every output plug is suitable with every busbar system without additional accessory.
- With **MDA** automation system, each output plug becomes a control point.

NEP Compact Busbar Trunking Systems

أنظمة توصيلات قضيب التوزيع المدمجة

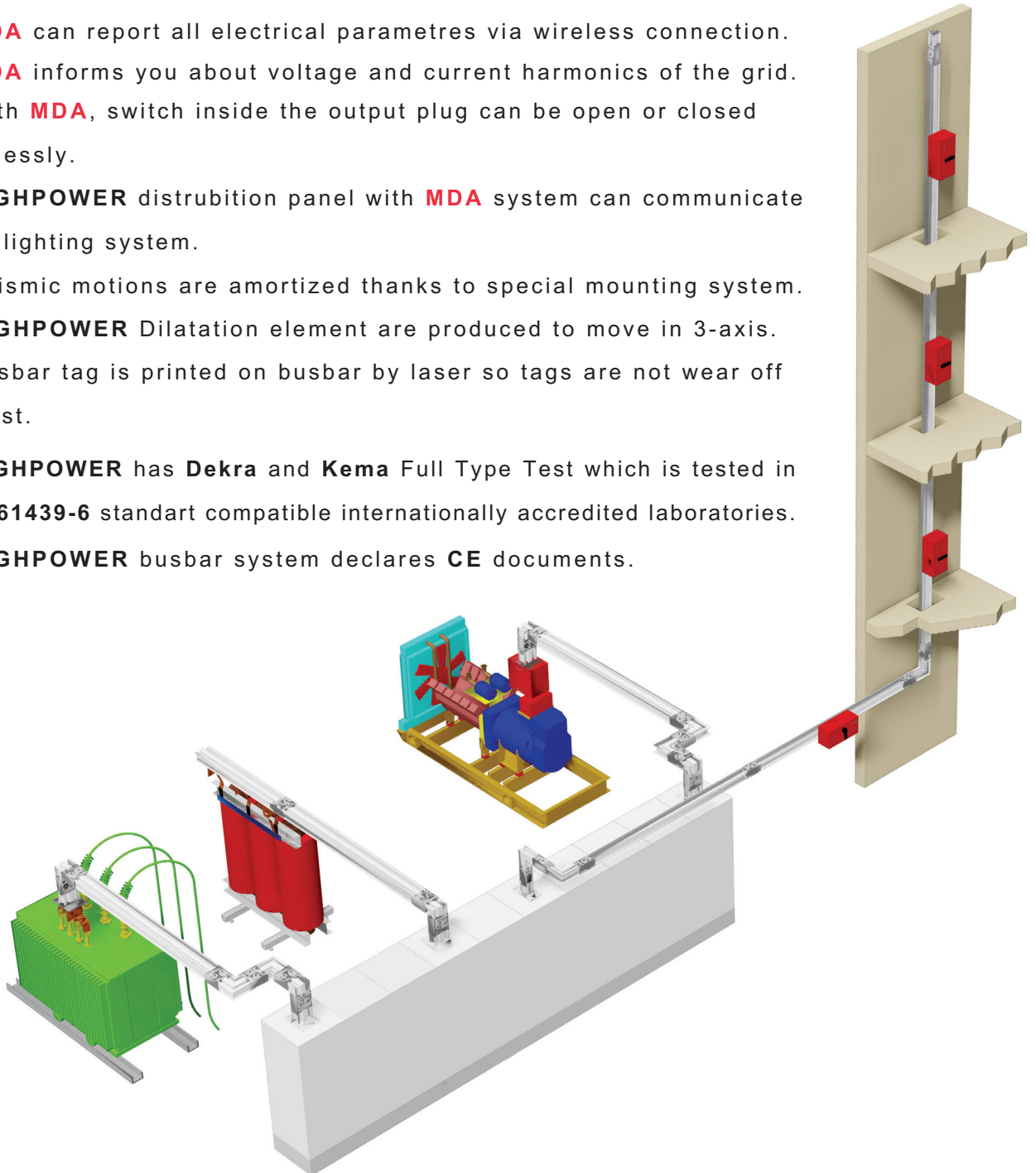
High Power
طاقة عالية
DEKRA KEMA

HIGH POWER طاقة عالية AS-H-800-6300A



IP55
IP65/67

- **MDA** can report all electrical parameters via wireless connection.
- **MDA** informs you about voltage and current harmonics of the grid.
- With **MDA**, switch inside the output plug can be open or closed wirelessly.
- **HIGHPOWER** distribution panel with **MDA** system can communicate with lighting system.
- Seismic motions are amortized thanks to special mounting system.
- **HIGHPOWER** Dilatation element are produced to move in 3-axis.
- Busbar tag is printed on busbar by laser so tags are not wear off or lost.
- **HIGHPOWER** has Dekra and Kema Full Type Test which is tested in IEC 61439-6 standart compatible internationally accredited laboratories.
- **HIGHPOWER** busbar system declares CE documents.



HIGH POWER COMPACT

طاقة عالية

➔ **AS-HA** (800A - 5000A) Aluminium Conductors (EC Grade)

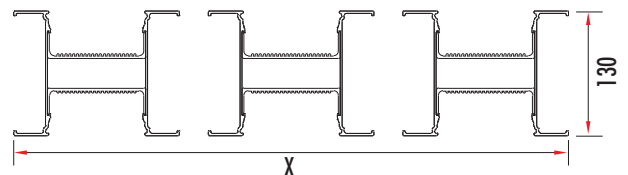
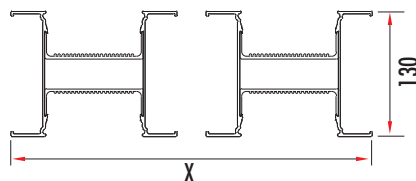
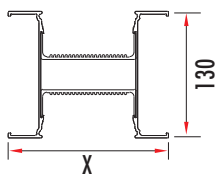
➔ **AS-HC** (800A - 6300A) Copper Conductors (%99.9 purity)

3P+N+%50PE



	(X)
➔ AS-HA 800A	147 mm
➔ AS-HA 1000A	172 mm
➔ AS-HA 1250A	197 mm
➔ AS-HA 1600A	222 mm
➔ AS-HA 2000A	272 mm
➔ AS-HA 2500A	394 mm
➔ AS-HA 3200A	444 mm
➔ AS-HA 4000A	544 mm
➔ AS-HA 5000A	816 mm

	(X)
➔ AS-HC 800A	127 mm
➔ AS-HC 1000A	147 mm
➔ AS-HC 1250A	172 mm
➔ AS-HC 1600A	197 mm
➔ AS-HC 2000A	222 mm
➔ AS-HC 2500A	272 mm
➔ AS-HC 3200A	394 mm
➔ AS-HC 4000A	444 mm
➔ AS-HC 5000A	544 mm
➔ AS-HC 6300A	816 mm



Conductor Nos.	5	3P+N+%50PE
----------------	----------	------------

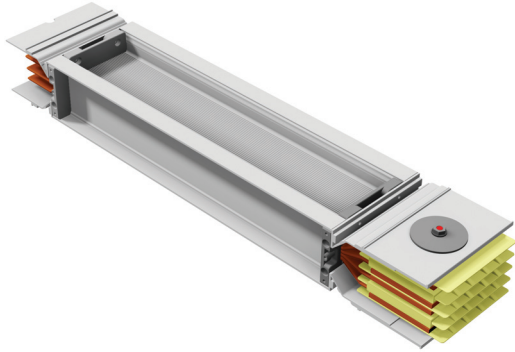
Conductor Nos.	10	3P+N+%50PE
----------------	-----------	------------

Conductor Nos.	15	3P+N+%50PE
----------------	-----------	------------

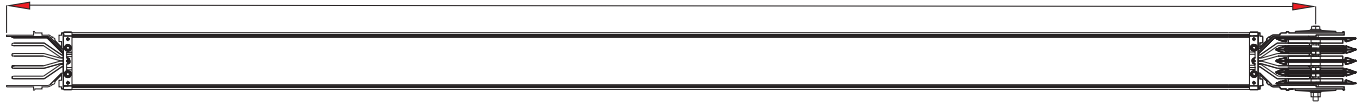
NEP Compact Busbar Trunking Systems

أنظمة توصيلات قضيب التوزيع المدمجة

High Power
طاقة عالية



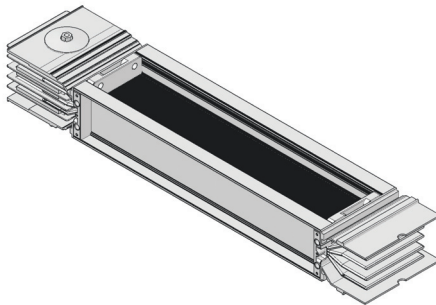
3000



Standart Element 3P+N+%50Pe

العنصر القياسي 50%+N+P3 قطعة

Standart Bolt-On Element (Cu) صنف ذو مسمار قياسي (نحاس)

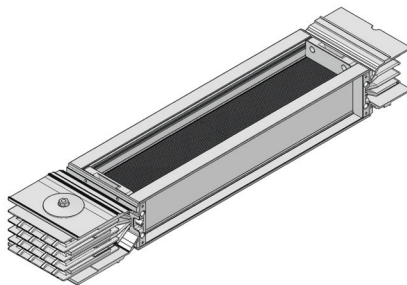


Rated (A) مقدر (أمبير)	Length (mm) الطول (مم)	Order No رقم الطلب	Pcs. القطع	Weight (Kg) الوزن (كغم)
Copper (Cu) النحاس				
0800	3000	AS-H-CB 5550800STD	1 unit	59.00
1000	3000	AS-H-CB 5551000STD	1 unit	76.00
1250	3000	AS-H-CB 5551250STD	1 unit	97.00
1600	3000	AS-H-CB 5551600STD	1 unit	118.00
2000	3000	AS-H-CB 5552000STD	1 unit	139.00
2500	3000	AS-H-CB 5552500STD	1 unit	181.00
3200	3000	AS-H-CB 5553200STD	1 unit	245.00
4000	3000	AS-H-CB 5554000STD	1 unit	290.00
5000	3000	AS-H-CB 5555000STD	1 unit	378.00
6300	3000	AS-H-CB 5556300STD	1 unit	583.00

Standart Element 3P+N+%50Pe

العنصر القياسي 50%+N+P3 قطعة

Standart Bolt-On Element (Al) صنف ذو مسمار قياسي (ألومنيوم)

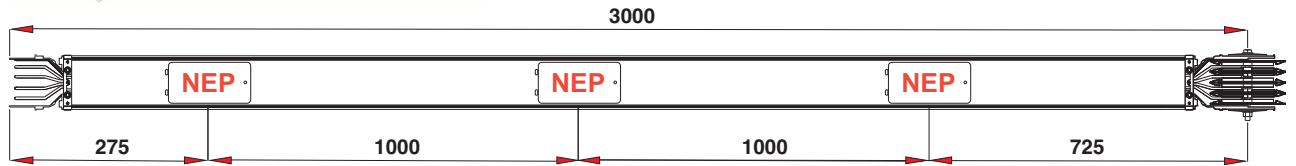
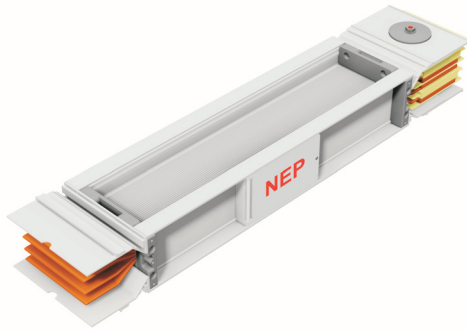


Rated (A) مقدر (أمبير)	Length (mm) الطول (مم)	Order No رقم الطلب	Pcs. القطع	Weight (Kg) الوزن (كغم)
Aluminium (Al) ألومنيوم				
0800	3000	AS-H-AB 5550800STD	1 unit	38.00
1000	3000	AS-H-AB 5551000STD	1 unit	47.00
1250	3000	AS-H-AB 5551250STD	1 unit	57.00
1600	3000	AS-H-AB 5551600STD	1 unit	65.00
2000	3000	AS-H-AB 5552000STD	1 unit	82.00
2500	3000	AS-H-AB 5552500STD	1 unit	121.00
3200	3000	AS-H-AB 5553200STD	1 unit	141.00
4000	3000	AS-H-AB 5554000STD	1 unit	173.00
5000	3000	AS-H-AB 5555000STD	1 unit	284.00

NEP Compact Busbar Trunking Systems

أنظمة توصيلات قضيب التوزيع المدمجة

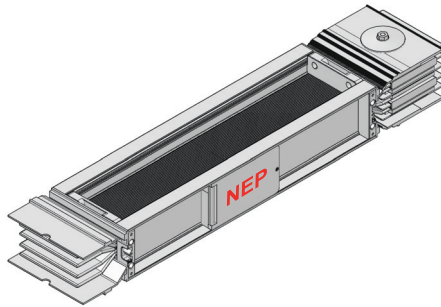
High Power
طاقة عالية



Standart Element 3P+N+%50Pe

العنصر القياسي 50%+N+P3 قطعة

Standart Plug-in Element (Cu) صنف ذو قابس قياسي (نحاس)

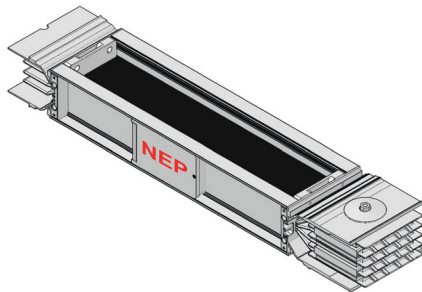


Rated (A) مقدراً (أمبير)	Length (mm) الطول (مم)	Order No رقم الطلب	Pcs. القطع	Weight (Kg) الوزن (كغم)
Copper (Cu) النحاس				
0800	3000	AS-H-CP 5550800STD	1 unit	63.00
1000	3000	AS-H-CP 5551000STD	1 unit	81.00
1250	3000	AS-H-CP 5551250STD	1 unit	102.00
1600	3000	AS-H-CP 5551600STD	1 unit	124.00
2000	3000	AS-H-CP 5552000STD	1 unit	146.00
2500	3000	AS-H-CP 5552500STD	1 unit	189.00
3200	3000	AS-H-CP 5553200STD	1 unit	251.00
4000	3000	AS-H-CP 5554000STD	1 unit	297.00
5000	3000	AS-H-CP 5555000STD	1 unit	386.00
6300	3000	AS-H-CP 5556300STD	1 unit	590.00

Standart Element 3P+N+%50Pe

العنصر القياسي 50%+N+P3 قطعة

Standart Plug-in Element (Al) صنف ذو قابس قياسي (ألومنيوم)

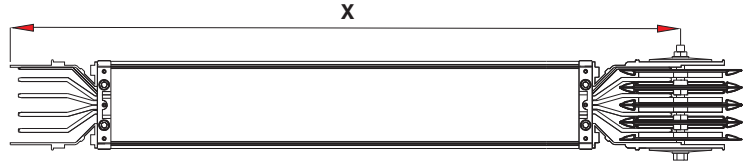
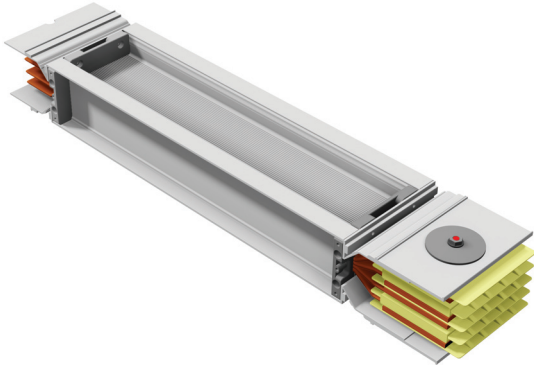


Rated (A) مقدراً (أمبير)	Length (mm) الطول (مم)	Order No رقم الطلب	Pcs. القطع	Weight (Kg) الوزن (كغم)
Aluminium (Al) ألومنيوم				
0800	3000	AS-H-AP 5550800STD	1 unit	43.00
1000	3000	AS-H-AP 5551000STD	1 unit	52.00
1250	3000	AS-H-AP 5551250STD	1 unit	62.00
1600	3000	AS-H-AP 5551600STD	1 unit	70.00
2000	3000	AS-H-AP 5552000STD	1 unit	87.00
2500	3000	AS-H-AP 5552500STD	1 unit	126.00
3200	3000	AS-H-AP 5553200STD	1 unit	146.00
4000	3000	AS-H-AP 5554000STD	1 unit	178.00
5000	3000	AS-H-AP 5555000STD	1 unit	289.00

NEP Compact Busbar Trunking Systems

أنظمة توصيلات قضيب التوزيع المدمجة

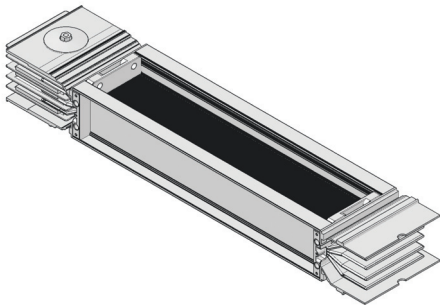
High Power
طاقة عالية



Special Element 3P+N+%50Pe

العنصر الخاص 50%+N+P3 قطعة

Special Bolt-On Element (Cu) صنف ذو مسمار خاص (نحاس)

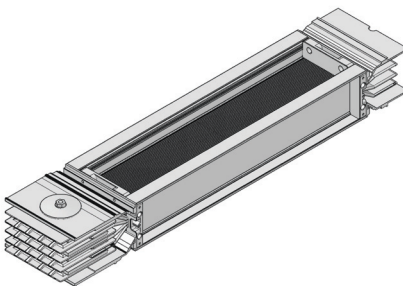


Rated (A) مقدر (أمبير)	Length (mm) الطول (مم)	Order No رقم الطلب	Pcs. القطع	Weight (Kg) الوزن (كغم)
Copper (Cu) النحاس				
0800	XXX	AS-H-CB 5550800XXX	1 unit	24.00
1000	XXX	AS-H-CB 5551000XXX	1 unit	30.00
1250	XXX	AS-H-CB 5551250XXX	1 unit	38.00
1600	XXX	AS-H-CB 5551600XXX	1 unit	46.00
2000	XXX	AS-H-CB 5552000XXX	1 unit	54.00
2500	XXX	AS-H-CB 5552500XXX	1 unit	71.00
3200	XXX	AS-H-CB 5553200XXX	1 unit	102.00
4000	XXX	AS-H-CB 5554000XXX	1 unit	120.00
5000	XXX	AS-H-CB 5555000XXX	1 unit	157.00
6300	XXX	AS-H-CB 5556300XXX	1 unit	251.00

Special Element 3P+N+%50Pe

العنصر الخاص 50%+N+P3 قطعة

Special Bolt-On Element (Al) صنف ذو مسمار خاص (ألومنيوم)

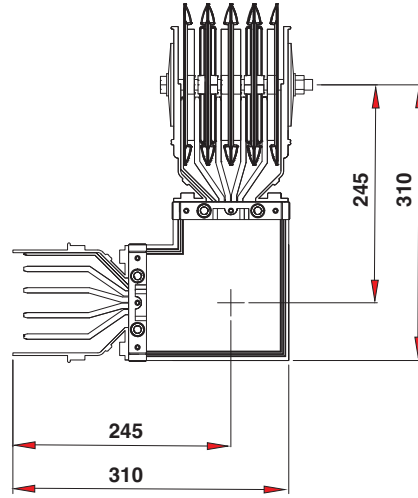
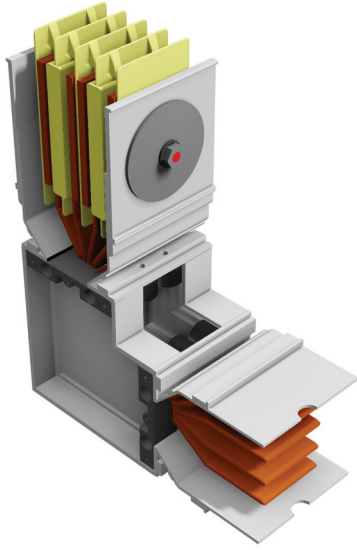


Rated (A) مقدر (أمبير)	Length (mm) الطول (مم)	Order No رقم الطلب	Pcs. القطع	Weight (Kg) الوزن (كغم)
Aluminium (Al) ألومنيوم				
0800	XXX	AS-H-AB 5550800XXX	1 unit	18.00
1000	XXX	AS-H-AB 5551000XXX	1 unit	22.00
1250	XXX	AS-H-AB 5551250XXX	1 unit	26.00
1600	XXX	AS-H-AB 5551600XXX	1 unit	30.00
2000	XXX	AS-H-AB 5552000XXX	1 unit	38.00
2500	XXX	AS-H-AB 5552500XXX	1 unit	61.00
3200	XXX	AS-H-AB 5553200XXX	1 unit	71.00
4000	XXX	AS-H-AB 5554000XXX	1 unit	91.00
5000	XXX	AS-H-AB 5555000XXX	1 unit	152.00

NEP Compact Busbar Trunking Systems

أنظمة توصيلات قضيب التوزيع المدمجة

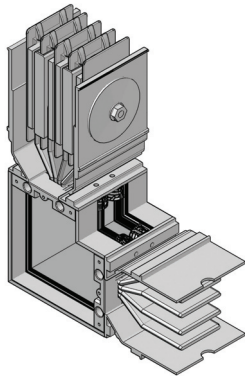
High Power
طاقة عالية



Upwards Elbow 3P+N+%50Pe

الكوع العلوي 50%+N+P3 قطعة

Upwards Elbow (Cu) الكوع العلوي (نحاس)

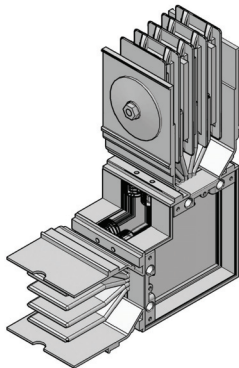


Rated (A) مقدر (أمبير)	Length (mm) الطول (مم)		Order No رقم الطلب	Pcs. القطع	Weight (Kg) الوزن (كغم)
Copper (Cu)	A (mm)	B (mm)			
0800	310	310	AS-H-CB 5550800UE	1 unit	15.00
1000	310	310	AS-H-CB 5551000UE	1 unit	18.00
1250	310	310	AS-H-CB 5551250UE	1 unit	23.00
1600	310	310	AS-H-CB 5551600UE	1 unit	28.00
2000	310	310	AS-H-CB 5552000UE	1 unit	33.00
2500	310	310	AS-H-CB 5552500UE	1 unit	42.00
3200	310	310	AS-H-CB 5553200UE	1 unit	65.00
4000	310	310	AS-H-CB 5554000UE	1 unit	77.00
5000	310	310	AS-H-CB 5555000UE	1 unit	100.00
6300	310	310	AS-H-CB 5556300UE	1 unit	166.00

Upwards Elbow 3P+N+%50Pe

الكوع العلوي 50%+N+P3 قطعة

Upwards Elbow (Al) الكوع العلوي (ألومنيوم)

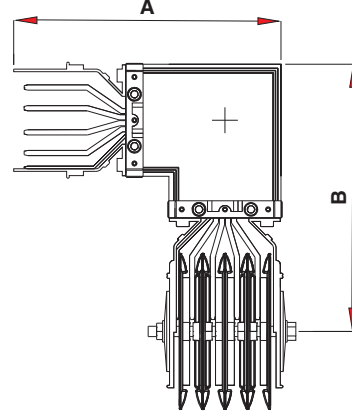
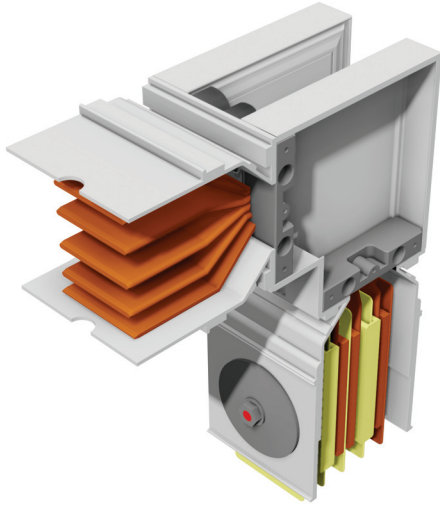


Rated (A) مقدر (أمبير)	Length (mm) الطول (مم)		Order No رقم الطلب	Pcs. القطع	Weight (Kg) الوزن (كغم)
Aluminium (Al)	A (mm)	B (mm)			
0800	310	310	AS-H-AB 5550800UE	1 unit	13.00
1000	310	310	AS-H-AB 5551000UE	1 unit	15.00
1250	310	310	AS-H-AB 5551250UE	1 unit	18.00
1600	310	310	AS-H-AB 5551600UE	1 unit	21.00
2000	310	310	AS-H-AB 5552000UE	1 unit	27.00
2500	310	310	AS-H-AB 5552500UE	1 unit	45.00
3200	310	310	AS-H-AB 5553200UE	1 unit	54.00
4000	310	310	AS-H-AB 5554000UE	1 unit	69.00
5000	310	310	AS-H-AB 5555000UE	1 unit	119.00

NEP Compact Busbar Trunking Systems

أنظمة توصيلات قضيب التوزيع المدمجة

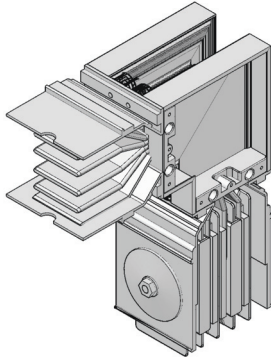
High Power
طاقة عالية



Downwards Elbow 3P+N+%50Pe

الكوع السفلي 50%+N+P3 قطعة

Downwards Elbow (Cu)
الكوع السفلي (نحاس)

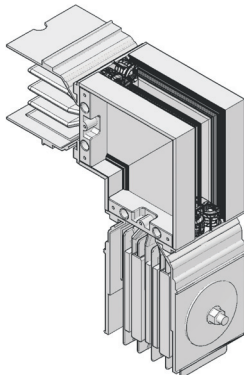


Rated (A) مقدر (أمبير)	Length (mm) الطول (مم)	Order No رقم الطلب	Pcs. القطع	Weight (Kg) الوزن (كغم)
Copper (Cu)				
	A (mm)	B (mm)		
0800	310	310	AS-H-CB 5550800DE	1 unit 15.00
1000	310	310	AS-H-CB 5551000DE	1 unit 18.00
1250	310	310	AS-H-CB 5551250DE	1 unit 23.00
1600	310	310	AS-H-CB 5551600DE	1 unit 28.00
2000	310	310	AS-H-CB 5552000DE	1 unit 33.00
2500	310	310	AS-H-CB 5552500DE	1 unit 42.00
3200	310	310	AS-H-CB 5553200DE	1 unit 65.00
4000	310	310	AS-H-CB 5554000DE	1 unit 77.00
5000	310	310	AS-H-CB 5555000DE	1 unit 100.00
6300	310	310	AS-H-CB 5556300DE	1 unit 166.00

Downwards Elbow 3P+N+%50Pe

الكوع السفلي 50%+N+P3 قطعة

Downwards Elbow (Cu)
الكوع السفلي (نحاس)

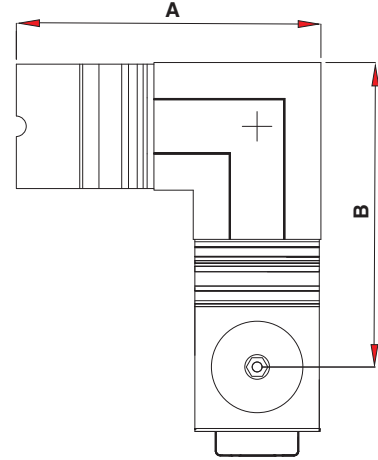
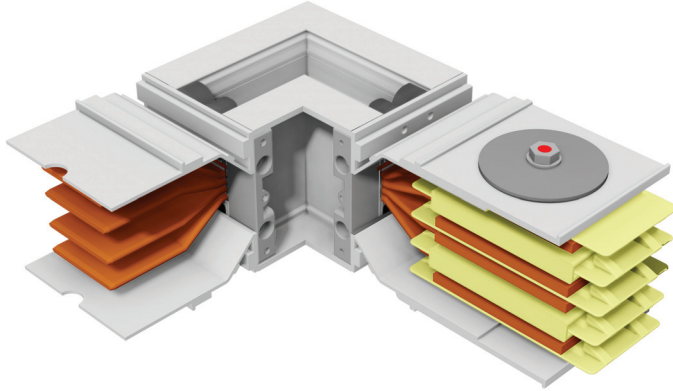


Rated (A) مقدر (أمبير)	Length (mm) الطول (مم)	Order No رقم الطلب	Pcs. القطع	Weight (Kg) الوزن (كغم)
Aluminium (Al)				
	A (mm)	B (mm)		
0800	310	310	AS-H-AB 5550800DE	1 unit 13.00
1000	310	310	AS-H-AB 5551000DE	1 unit 15.00
1250	310	310	AS-H-AB 5551250DE	1 unit 18.00
1600	310	310	AS-H-AB 5551600DE	1 unit 21.00
2000	310	310	AS-H-AB 5552000DE	1 unit 27.00
2500	310	310	AS-H-AB 5552500DE	1 unit 45.00
3200	310	310	AS-H-AB 5553200DE	1 unit 54.00
4000	310	310	AS-H-AB 5554000DE	1 unit 69.00
5000	310	310	AS-H-AB 5555000DE	1 unit 119.00

NEP Compact Busbar Trunking Systems

أنظمة توصيلات قضيب التوزيع المدمجة

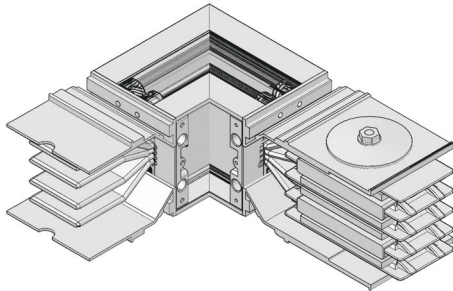
High Power
طاقة عالية



Right Elbow 3P+N+%50Pe

الكوع الأيمن 50%+N+P3 قطعة

Right Elbow (Cu)
الكوع الأيمن (نحاس)

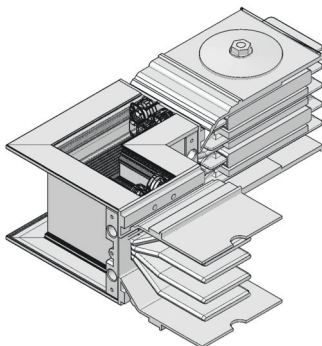


Rated (A) مقدر (أمبير)	Length (mm) الطول (مم)	Order No رقم الطلب	Pcs. القطع	Weight (Kg) الوزن (كغم)
Copper (Cu)	A (mm)	B (mm)		
0800	310	310	AS-H-CB 5550800RE	1 unit 22.00
1000	330	330	AS-H-CB 5551000RE	1 unit 30.00
1250	355	355	AS-H-CB 5551250RE	1 unit 39.00
1600	380	380	AS-H-CB 5551600RE	1 unit 49.00
2000	405	405	AS-H-CB 5552000RE	1 unit 60.00
2500	455	455	AS-H-CB 5552500RE	1 unit 83.00
3200	580	580	AS-H-CB 5553200RE	1 unit 136.00
4000	630	630	AS-H-CB 5554000RE	1 unit 170.00
5000	730	730	AS-H-CB 5555000RE	1 unit 243.00
6300	1005	1005	AS-H-CB 5556300RE	1 unit 471.00

Right Elbow 3P+N+%50Pe

الكوع الأيمن 50%+N+P3 قطعة

Right Elbow (Al)
الكوع الأيمن (ألومنيوم)

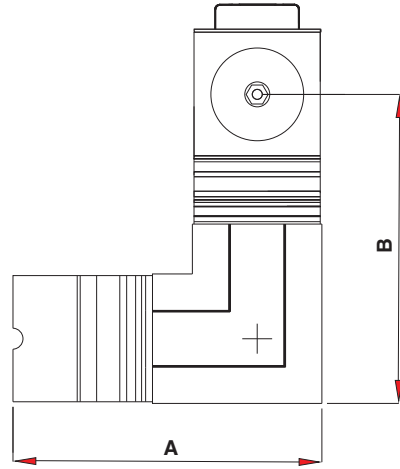
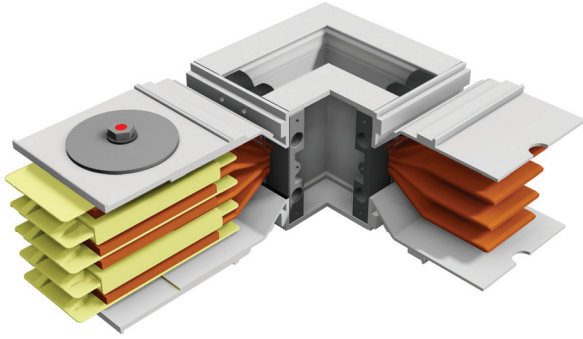


Rated (A) مقدر (أمبير)	Length (mm) الطول (مم)	Order No رقم الطلب	Pcs. القطع	Weight (Kg) الوزن (كغم)
Aluminium (Al)	A (mm)	B (mm)		
0800	330	330	AS-H-AB 5550800RE	1 unit 18.00
1000	355	355	AS-H-AB 5551000RE	1 unit 22.00
1250	380	380	AS-H-AB 5551250RE	1 unit 27.00
1600	405	405	AS-H-AB 5551600RE	1 unit 32.00
2000	455	455	AS-H-AB 5552000RE	1 unit 43.00
2500	580	580	AS-H-AB 5552500RE	1 unit 75.00
3200	630	630	AS-H-AB 5553200RE	1 unit 91.00
4000	730	730	AS-H-AB 5554000RE	1 unit 125.00
5000	1005	1005	AS-H-AB 5555000RE	1 unit 240.00

NEP Compact Busbar Trunking Systems

أنظمة توصيلات قضيب التوزيع المدمجة

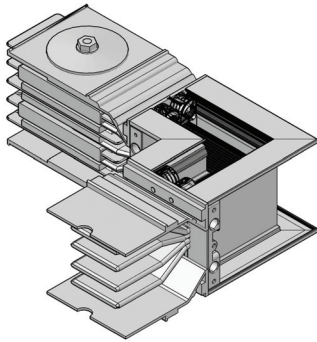
High Power
طاقة عالية



Left Elbow 3P+N+%50Pe

الكوع الأيسر 50%+N+P3 قطعة

Left Elbow (Cu) الكوع الأيسر (نحاس)

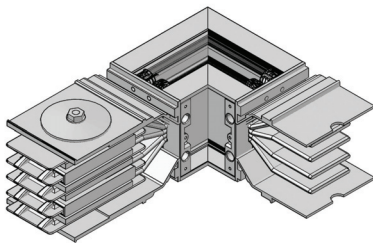


Rated (A) مقدراً (أمبير)	Length (mm) الطول (مم)		Order No رقم الطلب	Pcs. القطع	Weight (Kg) الوزن (كغم)
Copper (Cu)	A (mm)	B (mm)			
0800	310	310	AS-H-CB 5550800LE	1 unit	22.00
1000	330	330	AS-H-CB 5551000LE	1 unit	30.00
1250	355	355	AS-H-CB 5551250LE	1 unit	39.00
1600	380	380	AS-H-CB 5551600LE	1 unit	49.00
2000	405	405	AS-H-CB 5552000LE	1 unit	60.00
2500	455	455	AS-H-CB 5552500LE	1 unit	83.00
3200	580	580	AS-H-CB 5553200LE	1 unit	136.00
4000	630	630	AS-H-CB 5554000LE	1 unit	170.00
5000	730	730	AS-H-CB 5555000LE	1 unit	243.00
6300	1005	1005	AS-H-CB 5556300LE	1 unit	471.00

Left Elbow 3P+N+%50Pe

الكوع الأيسر 50%+N+P3 قطعة

Left Elbow (Cu) الكوع الأيسر (نحاس)

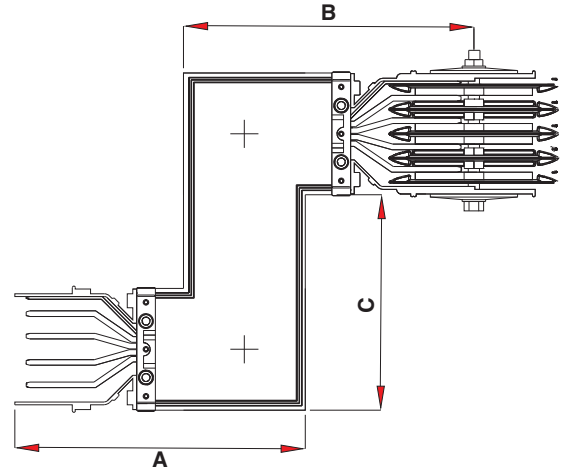
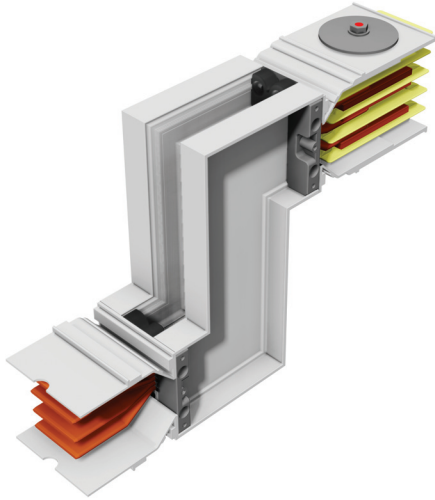


Rated (A) مقدراً (أمبير)	Length (mm) الطول (مم)		Order No رقم الطلب	Pcs. القطع	Weight (Kg) الوزن (كغم)
Aluminium (Al)	A (mm)	B (mm)			
0800	330	330	AS-H-AB 5550800LE	1 unit	18.00
1000	355	355	AS-H-AB 5551000LE	1 unit	22.00
1250	380	380	AS-H-AB 5551250LE	1 unit	27.00
1600	405	405	AS-H-AB 5551600LE	1 unit	32.00
2000	455	455	AS-H-AB 5552000LE	1 unit	43.00
2500	580	580	AS-H-AB 5552500LE	1 unit	75.00
3200	630	630	AS-H-AB 5553200LE	1 unit	91.00
4000	730	730	AS-H-AB 5554000LE	1 unit	125.00
5000	1005	1005	AS-H-AB 5555000LE	1 unit	240.00

NEP Compact Busbar Trunking Systems

أنظمة توصيلات قضيب التوزيع المدمجة

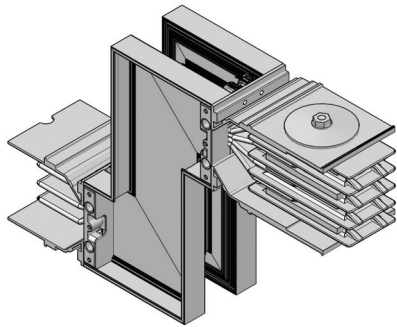
High Power
طاقة عالية



Upwards Vertical Offset 3P+N+%50Pe

الإزاحة الرئيسية العلوية 50%+N+P3 قطعة

Upwards Vertical Offset (Cu) الإزاحة الرئيسية العلوي (نحاس)

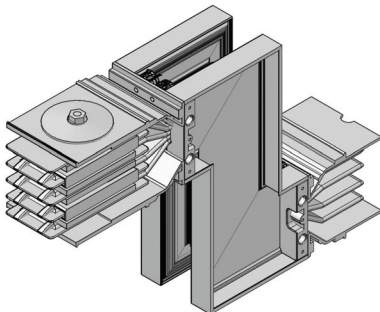


Rated (A) مقدراً (أمبير)	Length (mm) الطول (مم)			Order No رقم الطلب	Pcs. القطع	Weight (Kg) الوزن (كغم)
Copper (Cu)	A (mm)	B (mm)	C (mm)			
0800	310	310	230	AS-H-CB 5550800UVO	1 unit	20.00
1000	310	310	230	AS-H-CB 5551000UVO	1 unit	25.00
1250	310	310	230	AS-H-CB 5551250UVO	1 unit	33.00
1600	310	310	230	AS-H-CB 5551600UVO	1 unit	40.00
2000	310	310	230	AS-H-CB 5552000UVO	1 unit	47.00
2500	310	310	230	AS-H-CB 5552500UVO	1 unit	63.00
3200	310	310	230	AS-H-CB 5553200UVO	1 unit	96.00
4000	310	310	230	AS-H-CB 5554000UVO	1 unit	116.00
5000	310	310	230	AS-H-CB 5555000UVO	1 unit	157.00
6300	310	310	230	AS-H-CB 5556300UVO	1 unit	273.00

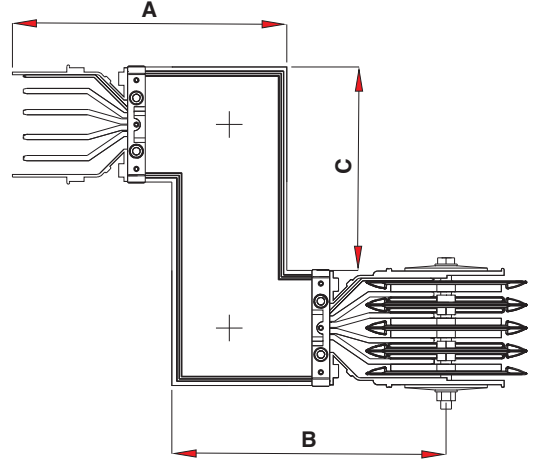
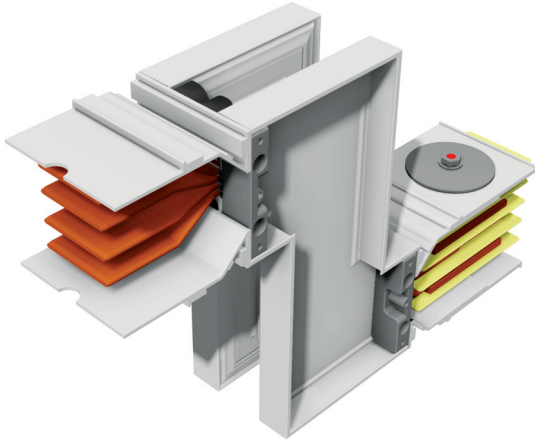
Upwards Vertical Offset 3P+N+%50Pe

الإزاحة الرئيسية العلوية 50%+N+P3 قطعة

Upwards Vertical Offset (Al) الإزاحة الرئيسية العلوي (الومنيوم)



Rated (A) مقدراً (أمبير)	Length (mm) الطول (مم)			Order No رقم الطلب	Pcs. القطع	Weight (Kg) الوزن (كغم)
Aluminium (Al)	A (mm)	B (mm)	C (mm)			
0800	310	310	230	AS-H-AB 5550800UVO	1 unit	16.00
1000	310	310	230	AS-H-AB 5551000UVO	1 unit	19.00
1250	310	310	230	AS-H-AB 5551250UVO	1 unit	23.00
1600	310	310	230	AS-H-AB 5551600UVO	1 unit	27.00
2000	310	310	230	AS-H-AB 5552000UVO	1 unit	35.00
2500	310	310	230	AS-H-AB 5552500UVO	1 unit	58.00
3200	310	310	230	AS-H-AB 5553200UVO	1 unit	70.00
4000	310	310	230	AS-H-AB 5554000UVO	1 unit	91.00
5000	310	310	230	AS-H-AB 5555000UVO	1 unit	161.00



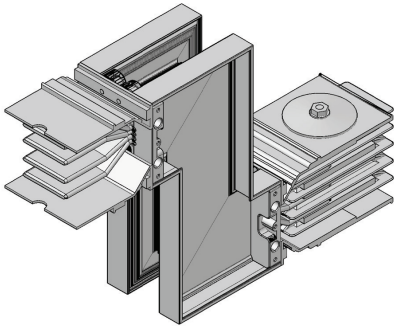
Downwards Vertical Offset 3P+N+%50Pe

الإزاحة الرئيسية السفلية 50%+N+P3 قطعة

Downwards Vertical Offset (Cu)

الإزاحة الرئيسية السفلية (نحاس)

Rated (A) مقدر (أمبير)	Length (mm) الطول (مم)			Order No رقم الطلب	Pcs. القطع	Weight (Kg) الوزن (كغم)
Copper (Cu)	A (mm)	B (mm)	C (mm)			
0800	310	310	230	AS-H-CB 5550800DVO	1 unit	20.00
1000	310	310	230	AS-H-CB 5551000DVO	1 unit	25.00
1250	310	310	230	AS-H-CB 5551250DVO	1 unit	33.00
1600	310	310	230	AS-H-CB 5551600DVO	1 unit	40.00
2000	310	310	230	AS-H-CB 5552000DVO	1 unit	47.00
2500	310	310	230	AS-H-CB 5552500DVO	1 unit	63.00
3200	310	310	230	AS-H-CB 5553200DVO	1 unit	96.00
4000	310	310	230	AS-H-CB 5554000DVO	1 unit	116.00
5000	310	310	230	AS-H-CB 5555000DVO	1 unit	157.00
6300	310	310	230	AS-H-CB 5556300DVO	1 unit	273.00



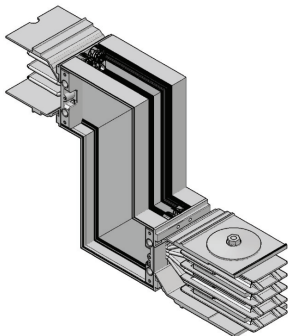
Downwards Vertical Offset 3P+N+%50Pe

الإزاحة الرئيسية السفلية 50%+N+P3 قطعة

Downwards Vertical Offset (Al)

الإزاحة الرئيسية السفلية (ألومنيوم)

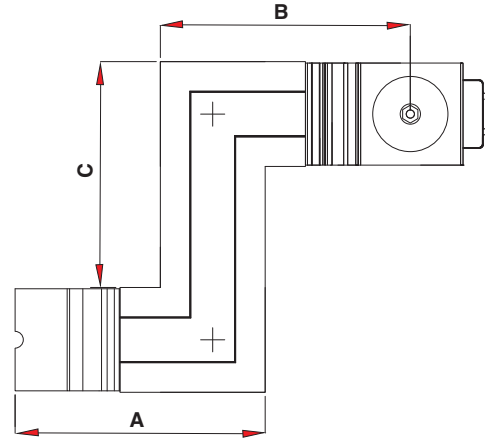
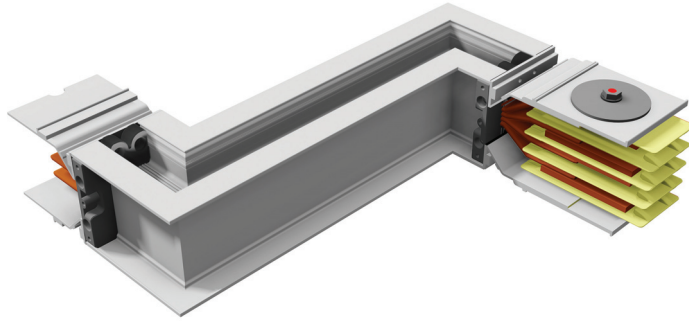
Rated (A) مقدر (أمبير)	Length (mm) الطول (مم)			Order No رقم الطلب	Pcs. القطع	Weight (Kg) الوزن (كغم)
Aluminium (Al)	A (mm)	B (mm)	C (mm)			
0800	310	310	230	AS-H-AB 5550800DVO	1 unit	16.00
1000	310	310	230	AS-H-AB 5551000DVO	1 unit	19.00
1250	310	310	230	AS-H-AB 5551250DVO	1 unit	23.00
1600	310	310	230	AS-H-AB 5551600DVO	1 unit	27.00
2000	310	310	230	AS-H-AB 5552000DVO	1 unit	35.00
2500	310	310	230	AS-H-AB 5552500DVO	1 unit	58.00
3200	310	310	230	AS-H-AB 5553200DVO	1 unit	70.00
4000	310	310	230	AS-H-AB 5554000DVO	1 unit	91.00
5000	310	310	230	AS-H-AB 5555000DVO	1 unit	161.00



NEP Compact Busbar Trunking Systems

أنظمة توصيلات قضيب التوزيع المدمجة

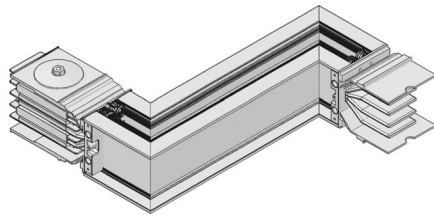
High Power
طاقة عالية



Left Horizontal Elbow 3P+N+%50Pe

الكوع الأفقي الأيسر 50%+N+P3 قطعة

Left Horizontal Elbow (Cu) الكوع الأفقي الأيسر (نحاس)

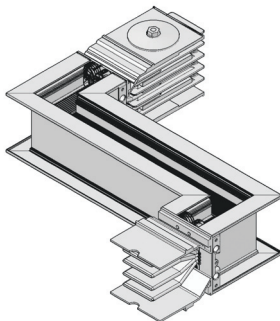


Rated (A) مقدر (أمبير)	Length (mm) الطول (مم)			Order No رقم الطلب	Pcs. القطع	Weight (Kg) الوزن (كغم)
Copper (Cu)	A (mm)	B (mm)	C (mm)			
800	310	310	450	AS-H-CB 5550800LHE	1 unit	22.00
1000	330	330	470	AS-H-CB 5551000LHE	1 unit	30.00
1200	355	355	495	AS-H-CB 5551250LHE	1 unit	39.00
1600	380	380	520	AS-H-CB 5551600LHE	1 unit	49.00
2000	405	405	545	AS-H-CB 5552000LHE	1 unit	60.00
2500	455	455	595	AS-H-CB 5552500LHE	1 unit	83.00
3200	580	580	720	AS-H-CB 5553200LHE	1 unit	136.00
4000	630	630	770	AS-H-CB 5554000LHE	1 unit	170.00
5000	730	730	870	AS-H-CB 5555000LHE	1 unit	243.00
6300	1005	1005	1145	AS-H-CB 5556300LHE	1 unit	471.00

Left Horizontal Elbow 3P+N+%50Pe

الكوع الأفقي الأيسر 50%+N+P3 قطعة

Left Horizontal Elbow (Al) الكوع الأفقي الأيسر (ألومنيوم)

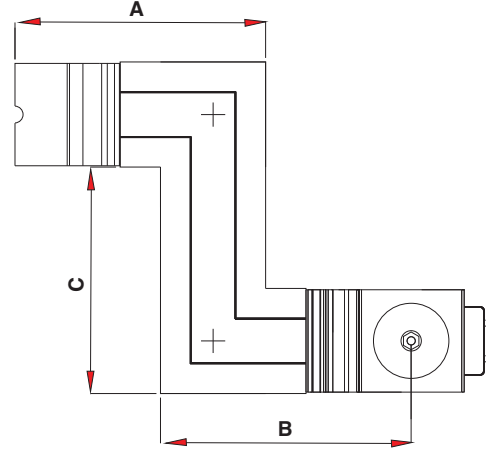
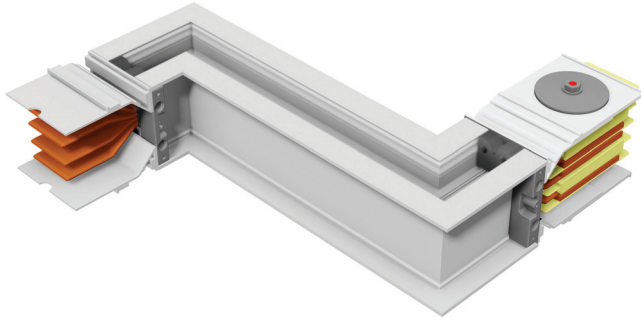


Rated (A) مقدر (أمبير)	Length (mm) الطول (مم)			Order No رقم الطلب	Pcs. القطع	Weight (Kg) الوزن (كغم)
Aluminium (Al)	A (mm)	B (mm)	C (mm)			
0800	330	330	470	AS-H-AB 5550800LHE	1 unit	18.00
1000	355	355	495	AS-H-AB 5551000LHE	1 unit	22.00
1250	380	380	520	AS-H-AB 5551250LHE	1 unit	27.00
1600	405	405	545	AS-H-AB 5551600LHE	1 unit	32.00
2000	455	455	595	AS-H-AB 5552000LHE	1 unit	43.00
2500	580	580	720	AS-H-AB 5552500LHE	1 unit	75.00
3200	630	630	770	AS-H-AB 5553200LHE	1 unit	91.00
4000	730	730	870	AS-H-AB 5554000LHE	1 unit	125.00
5000	1005	1005	1145	AS-H-AB 5555000LHE	1 unit	240.00

NEP Compact Busbar Trunking Systems

أنظمة توصيلات قضيب التوزيع المدمجة

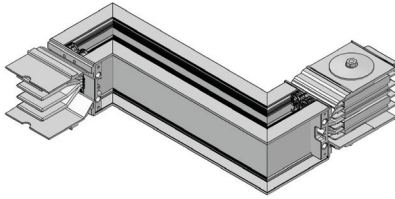
High Power
طاقة عالية



Right Horizontal Offset 3P+N+%50Pe

الكوع الأفقي لايمن 50%+N+P3 قطعة

Right Horizontal Offset (Cu) الإزاحة الأفقية اليمنى (نحاس)

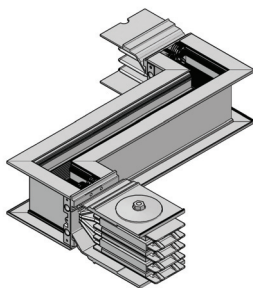


Rated (A) مقدر (أمبير)	Length (mm) الطول (مم)			Order No رقم الطلب	Pcs. القطع	Weight (Kg) الوزن (كغم)
Copper (Cu)	A (mm)	B (mm)	C (mm)			
800	310	310	450	AS-H-CB 5550800RHO	1 unit	22.00
1000	330	330	470	AS-H-CB 5551000RHO	1 unit	30.00
1200	355	355	495	AS-H-CB 5551250RHO	1 unit	39.00
1600	380	380	520	AS-H-CB 5551600RHO	1 unit	49.00
2000	405	405	545	AS-H-CB 5552000RHO	1 unit	60.00
2500	455	455	595	AS-H-CB 5552500RHO	1 unit	83.00
3200	580	580	720	AS-H-CB 5553200RHO	1 unit	136.00
4000	630	630	770	AS-H-CB 5554000RHO	1 unit	170.00
5000	730	730	870	AS-H-CB 5555000RHO	1 unit	243.00
6300	1005	1005	1145	AS-H-CB 5556300RHO	1 unit	471.00

Right Horizontal Offset 3P+N+%50Pe

الكوع الأفقي لايمن 50%+N+P3 قطعة

Right Horizontal Offset (Al) الإزاحة الأفقية اليمنى (ألومنيوم)

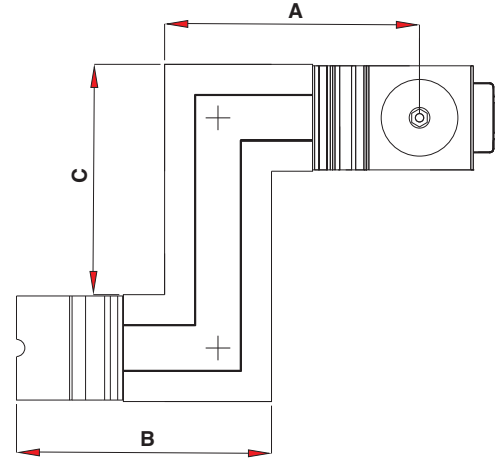
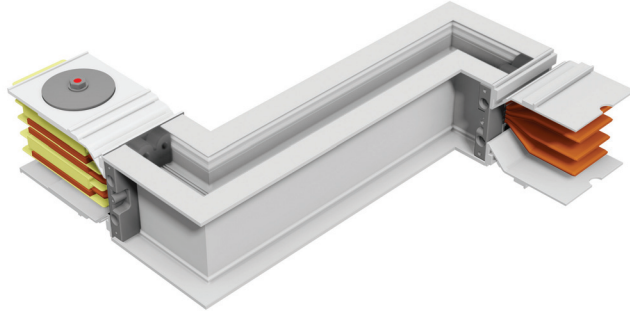


Rated (A) مقدر (أمبير)	Length (mm) الطول (مم)			Order No رقم الطلب	Pcs. القطع	Weight (Kg) الوزن (كغم)
Aluminium (Al)	A (mm)	B (mm)	C (mm)			
0800	330	330	470	AS-H-AB 5550800RHO	1 unit	18.00
1000	355	355	495	AS-H-AB 5551000RHO	1 unit	22.00
1250	380	380	520	AS-H-AB 5551250RHO	1 unit	27.00
1600	405	405	545	AS-H-AB 5551600RHO	1 unit	32.00
2000	455	455	595	AS-H-AB 5552000RHO	1 unit	43.00
2500	580	580	720	AS-H-AB 5552500RHO	1 unit	75.00
3200	630	630	770	AS-H-AB 5553200RHO	1 unit	91.00
4000	730	730	870	AS-H-AB 5554000RHO	1 unit	125.00
5000	1005	1005	1145	AS-H-AB 5555000RHO	1 unit	240.00

NEP Compact Busbar Trunking Systems

أنظمة توصيلات قضيب التوزيع المدمجة

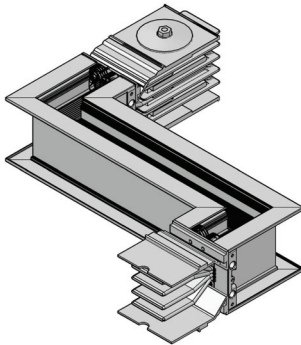
High Power
طاقة عالية



Left Horizontal Offset 3P+N+%50Pe

الإزاحة الأفقية اليسرى 50%+N+P3 قطعة

Left Horizontal Offset (Cu) (الإزاحة الأفقية اليسرى (نحاس))

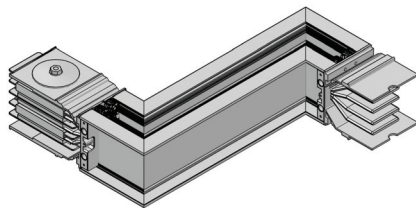


Rated (A) مقدر (أمبير)	Length (mm) الطول (مم)			Order No رقم الطلب	Pcs. القطع	Weight (Kg) الوزن (كغم)
Copper (Cu)	A (mm)	B (mm)	C (mm)			
0800	310	310	450	AS-H-CB 5550800LHO	1 unit	22.00
1000	330	330	470	AS-H-CB 5551000LHO	1 unit	30.00
1250	355	355	495	AS-H-CB 5551250LHO	1 unit	39.00
1600	380	380	520	AS-H-CB 5551600LHO	1 unit	49.00
2000	405	405	545	AS-H-CB 5552000LHO	1 unit	60.00
2500	455	455	595	AS-H-CB 5552500LHO	1 unit	83.00
3200	580	580	720	AS-H-CB 5553200LHO	1 unit	136.00
4000	630	630	770	AS-H-CB 5554000LHO	1 unit	170.00
5000	730	730	870	AS-H-CB 5555000LHO	1 unit	243.00
6300	1005	1005	1145	AS-H-CB 5556300LHO	1 unit	471.00

Left Horizontal Offset 3P+N+%50Pe

الإزاحة الأفقية اليسرى 50%+N+P3 قطعة

Left Horizontal Offset (Al) (الإزاحة الأفقية اليسرى (ألومنيوم))

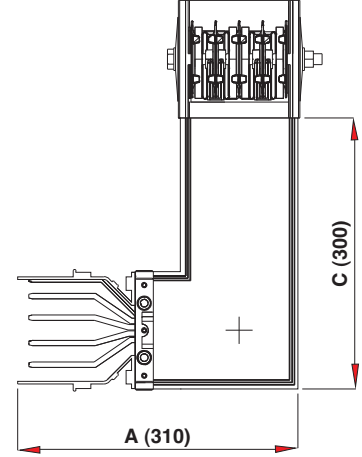
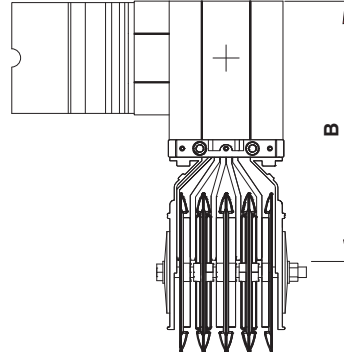
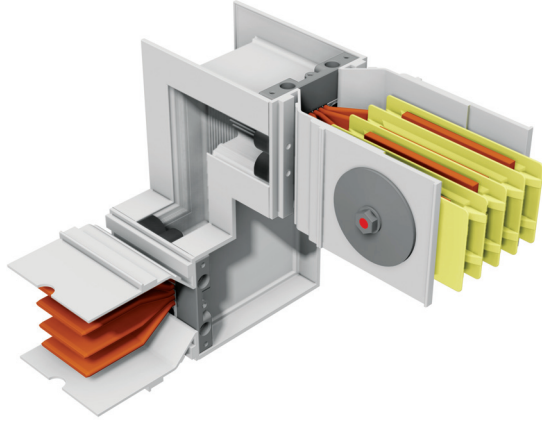


Rated (A) مقدر (أمبير)	Length (mm) الطول (مم)			Order No رقم الطلب	Pcs. القطع	Weight (Kg) الوزن (كغم)
Aluminium (Al)	A (mm)	B (mm)	C (mm)			
0800	330	330	470	AS-H-AB 5550800LHO	1 unit	18.00
1000	355	355	495	AS-H-AB 5551000LHO	1 unit	22.00
1250	380	380	520	AS-H-AB 5551250LHO	1 unit	27.00
1600	405	405	545	AS-H-AB 5551600LHO	1 unit	32.00
2000	455	455	595	AS-H-AB 5552000LHO	1 unit	43.00
2500	580	580	720	AS-H-AB 5552500LHO	1 unit	75.00
3200	630	630	770	AS-H-AB 5553200LHO	1 unit	91.00
4000	730	730	870	AS-H-AB 5554000LHO	1 unit	125.00
5000	1005	1005	1145	AS-H-AB 5555000LHO	1 unit	240.00

NEP Compact Busbar Trunking Systems

أنظمة توصيلات قضيب التوزيع المدمجة

High Power
طاقة عالية



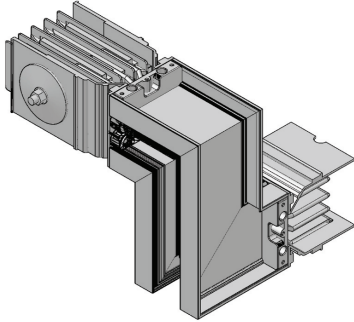
Upwards Right Combined Offset 3P+N+%50Pe

الإزاحة العلوية اليمنى المدمجة 50%+N+P3 قطعة

Upwards Right Combined Offset (Cu) الإزاحة العلوية اليمنى المدمجة (نحاس)

Rated (A) مقدر (أمبير)	Length (mm) الطول (مم)	Order No رقم الطلب	Pcs. القطع	Weight (Kg) الوزن (كغم)
---------------------------	---------------------------	-----------------------	---------------	----------------------------

Copper (Cu)	A (mm)	B (mm)	C (mm)			
0800	310	310	300	AS-H-CB 5550800URC	1 unit	20.00
1000	310	330	300	AS-H-CB 5551000URC	1 unit	25.00
1250	310	355	300	AS-H-CB 5551250URC	1 unit	33.00
1600	310	380	300	AS-H-CB 5551600URC	1 unit	40.00
2000	310	405	300	AS-H-CB 5552000URC	1 unit	47.00
2500	310	455	300	AS-H-CB 5552500URC	1 unit	63.00
3200	310	580	300	AS-H-CB 5553200URC	1 unit	96.00
4000	310	630	300	AS-H-CB 5554000URC	1 unit	116.00
5000	310	730	300	AS-H-CB 5555000URC	1 unit	157.00
6300	310	1005	300	AS-H-CB 5556300URC	1 unit	273.00



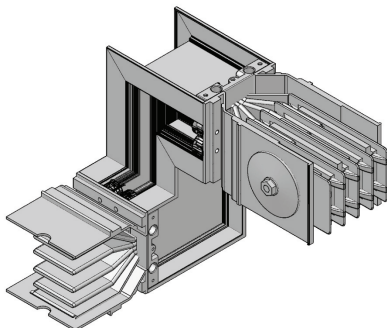
Upwards Right Combined Offset 3P+N+%50Pe

الإزاحة العلوية اليمنى المدمجة 50%+N+P3 قطعة

Upwards Right Combined Offset (Al) الإزاحة العلوية اليمنى المدمجة (ألومنيوم)

Rated (A) مقدر (أمبير)	Length (mm) الطول (مم)	Order No رقم الطلب	Pcs. القطع	Weight (Kg) الوزن (كغم)
---------------------------	---------------------------	-----------------------	---------------	----------------------------

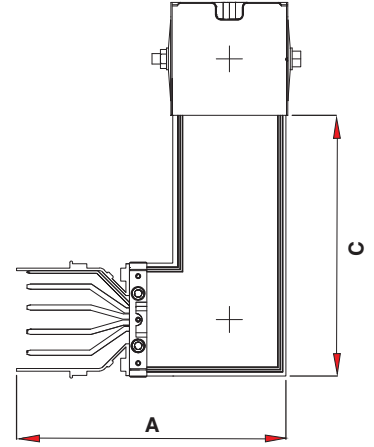
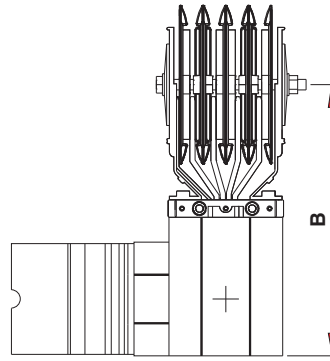
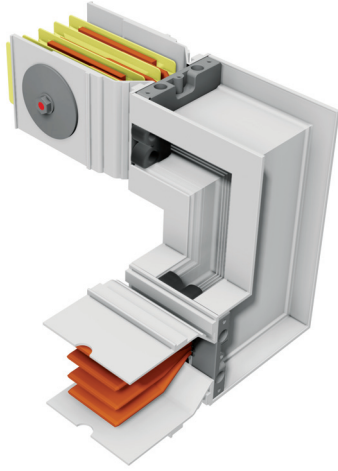
Aluminium (Al)	A (mm)	B (mm)	C (mm)			
0800	310	330	300	AS-H-AB 5550800URC	1 unit	16.00
1000	310	355	300	AS-H-AB 5551000URC	1 unit	19.00
1250	310	380	300	AS-H-AB 5551250URC	1 unit	23.00
1600	310	405	300	AS-H-AB 5551600URC	1 unit	27.00
2000	310	455	300	AS-H-AB 5552000URC	1 unit	35.00
2500	310	580	300	AS-H-AB 5552500URC	1 unit	58.00
3200	310	630	300	AS-H-AB 5553200URC	1 unit	70.00
4000	310	730	300	AS-H-AB 5554000URC	1 unit	91.00
5000	310	1005	300	AS-H-AB 5555000URC	1 unit	161.00



NEP Compact Busbar Trunking Systems

أنظمة توصيلات قضيب التوزيع المدمجة

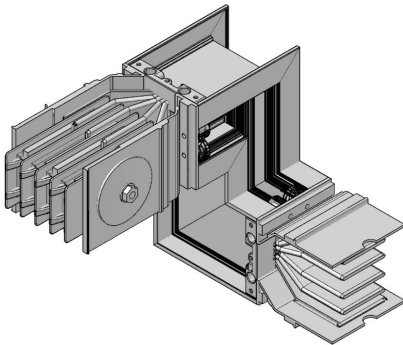
High Power
طاقة عالية



Upwards Left Combined Offset 3P+N+%50Pe

الإزاحة العلوية اليسرى المدمجة 50%+N+P3 قطعة

Upwards Left Combined Offset (Cu) الإزاحة العلوية اليسرى المدمجة (نحاس)

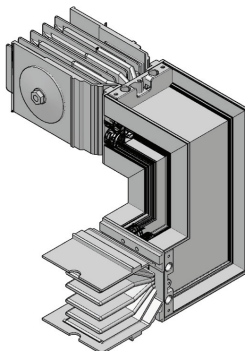


Rated (A) مقدراً (أمبير)	Length (mm) الطول (مم)			Order No رقم الطلب	Pcs. القطع	Weight (Kg) الوزن (كغم)
	A (mm)	B (mm)	C (mm)			
800	310	310	300	AS-H-CB 5550800ULC	1 unit	20.00
1000	310	330	300	AS-H-CB 5551000ULC	1 unit	25.00
1250	310	355	300	AS-H-CB 5551250ULC	1 unit	33.00
1600	310	380	300	AS-H-CB 5551600ULC	1 unit	40.00
2000	310	405	300	AS-H-CB 5552000ULC	1 unit	47.00
2500	310	455	300	AS-H-CB 5552500ULC	1 unit	63.00
3200	310	580	300	AS-H-CB 5553200ULC	1 unit	96.00
4000	310	630	300	AS-H-CB 5554000ULC	1 unit	116.00
5000	310	730	300	AS-H-CB 5555000ULC	1 unit	157.00
6300	310	1005	300	AS-H-CB 5556300ULC	1 unit	273.00

Upwards Left Combined Offset 3P+N+%50Pe

الإزاحة العلوية اليسرى المدمجة 50%+N+P3 قطعة

Upwards Left Combined Offset (Al) الإزاحة العلوية اليسرى المدمجة (ألومنيوم)

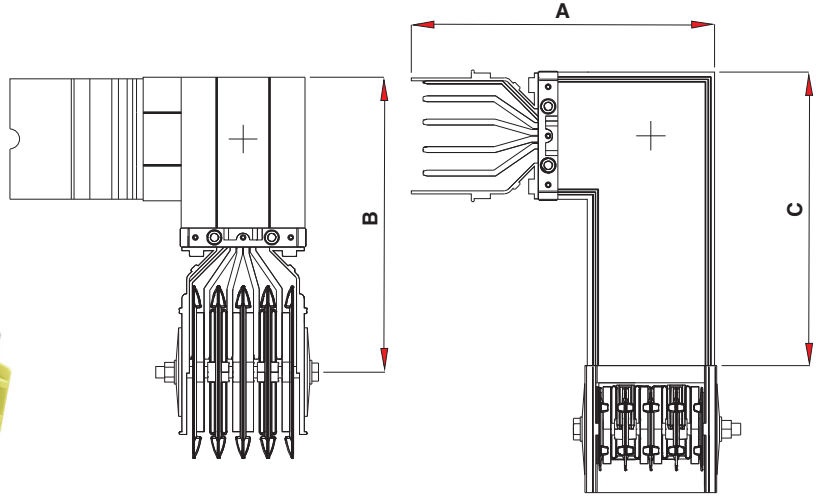
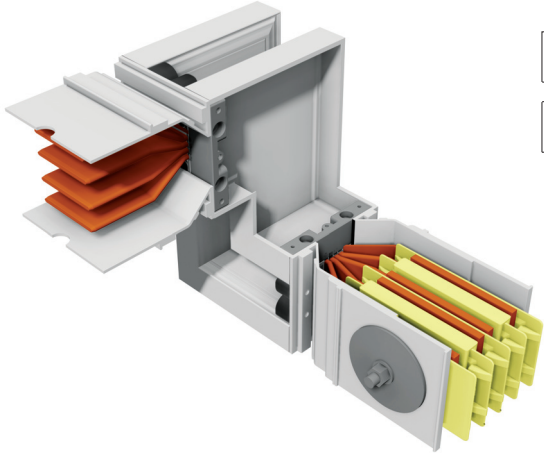


Rated (A) مقدراً (أمبير)	Length (mm) الطول (مم)			Order No رقم الطلب	Pcs. القطع	Weight (Kg) الوزن (كغم)
	A (mm)	B (mm)	C (mm)			
0800	310	330	300	AS-H-AB 5550800ULC	1 unit	16.00
1000	310	355	300	AS-H-AB 5551000ULC	1 unit	19.00
1250	310	380	300	AS-H-AB 5551250ULC	1 unit	23.00
1600	310	405	300	AS-H-AB 5551600ULC	1 unit	27.00
2000	310	455	300	AS-H-AB 5552000ULC	1 unit	35.00
2500	310	580	300	AS-H-AB 5552500ULC	1 unit	58.00
3200	310	630	300	AS-H-AB 5553200ULC	1 unit	70.00
4000	310	730	300	AS-H-AB 5554000ULC	1 unit	91.00
5000	310	1005	300	AS-H-AB 5555000ULC	1 unit	161.00

NEP Compact Busbar Trunking Systems

أنظمة توصيلات قضيب التوزيع المدمجة

High Power
طاقة عالية

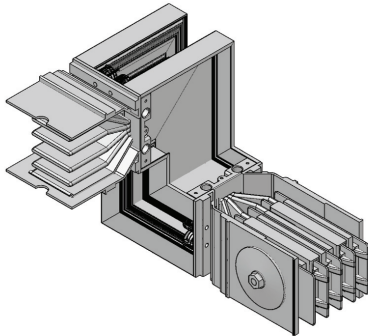


Downwards Right Combined Offset 3P+N+%50Pe

الإزاحة السفلية اليمنى المدمجة 50%+N+P3 قطعة

Downwards Right Combined Offset (Cu)
الإزاحة السفلية اليمنى المدمجة (نحاس)

Rated (A) مقدر (أمبير)	Length (mm) الطول (مم)	Order No رقم الطلب	Pcs. القطع	Weight (Kg) الوزن (كغم)
---------------------------	---------------------------	-----------------------	---------------	----------------------------



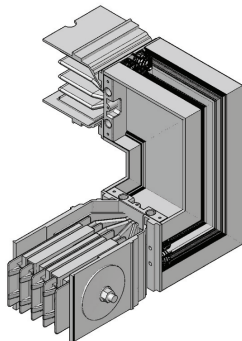
Copper (Cu)	A (mm)	B (mm)	C (mm)	Order No	Pcs.	Weight (Kg)
0800	310	310	300	AS-H-CB 5550800DRC	1 unit	20.00
1000	310	330	300	AS-H-CB 5551000DRC	1 unit	25.00
1250	310	355	300	AS-H-CB 5551250DRC	1 unit	33.00
1600	310	380	300	AS-H-CB 5551600DRC	1 unit	40.00
2000	310	405	300	AS-H-CB 5552000DRC	1 unit	47.00
2500	310	455	300	AS-H-CB 5552500DRC	1 unit	63.00
3200	310	580	300	AS-H-CB 5553200DRC	1 unit	96.00
4000	310	630	300	AS-H-CB 5554000DRC	1 unit	116.00
5000	310	730	300	AS-H-CB 5555000DRC	1 unit	157.00
6300	310	1005	300	AS-H-CB 5556300DRC	1 unit	273.00

Downwards Right Combined Offset 3P+N+%50Pe

الإزاحة السفلية اليمنى المدمجة 50%+N+P3 قطعة

Downwards Right Combined Offset (Al)
الإزاحة السفلية اليمنى المدمجة (ألومنيوم)

Rated (A) مقدر (أمبير)	Length (mm) الطول (مم)	Order No رقم الطلب	Pcs. القطع	Weight (Kg) الوزن (كغم)
---------------------------	---------------------------	-----------------------	---------------	----------------------------

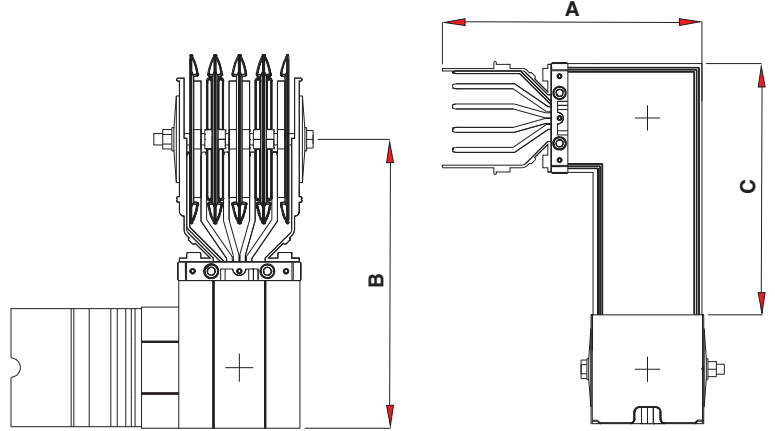
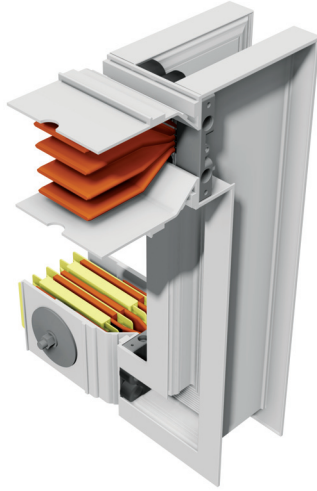


Aluminium (Al)	A (mm)	B (mm)	C (mm)	Order No	Pcs.	Weight (Kg)
0800	310	330	300	AS-H-AB 5550800DRC	1 unit	16.00
1000	310	355	300	AS-H-AB 5551000DRC	1 unit	19.00
1250	310	380	300	AS-H-AB 5551250DRC	1 unit	23.00
1600	310	405	300	AS-H-AB 5551600DRC	1 unit	27.00
2000	310	455	300	AS-H-AB 5552000DRC	1 unit	35.00
2500	310	580	300	AS-H-AB 5552500DRC	1 unit	58.00
3200	310	630	300	AS-H-AB 5553200DRC	1 unit	70.00
4000	310	730	300	AS-H-AB 5554000DRC	1 unit	91.00
5000	310	1005	300	AS-H-AB 5555000DRC	1 unit	161.00

NEP Compact Busbar Trunking Systems

أنظمة توصيلات قضيب التوزيع المدمجة

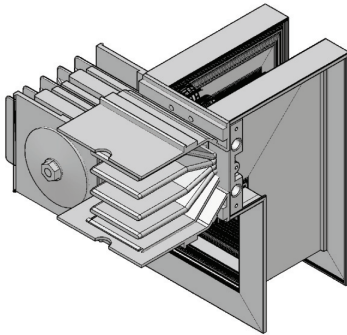
High Power
طاقة عالية



Downwards Left Combined Offset 3P+N+%50Pe

الإزاحة السفلية اليمنى المدمجة 50%+N+P3 قطعة

Downwards Right Combined Offset (Cu) الإزاحة السفلية اليمنى المدمجة (نحاس)

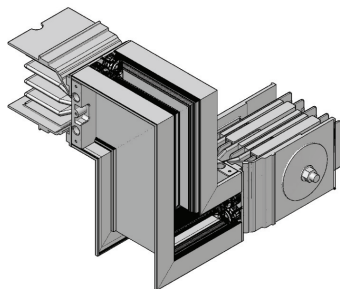


Rated (A) مقدور (أمبير)	Length (mm) الطول (مم)			Order No رقم الطلب	Pcs. القطع	Weight (Kg) الوزن (كغم)
Copper (Cu)	A (mm)	B (mm)	C (mm)			
0800	310	310	300	AS-H-CB 5550800DLC	1 unit	20.00
1000	310	330	300	AS-H-CB 5551000DLC	1 unit	25.00
1250	310	355	300	AS-H-CB 5551250DLC	1 unit	33.00
1600	310	380	300	AS-H-CB 5551600DLC	1 unit	40.00
2000	310	405	300	AS-H-CB 5552000DLC	1 unit	47.00
2500	310	455	300	AS-H-CB 5552500DLC	1 unit	63.00
3200	310	580	300	AS-H-CB 5553200DLC	1 unit	96.00
4000	310	630	300	AS-H-CB 5554000DLC	1 unit	116.00
5000	310	730	300	AS-H-CB 5555000DLC	1 unit	157.00
6300	310	1005	300	AS-H-CB 5556300DLC	1 unit	273.00

Downwards Left Combined Offset 3P+N+%50Pe

الإزاحة السفلية اليمنى المدمجة 50%+N+P3 قطعة

Downwards Right Combined Offset (Al) الإزاحة السفلية اليمنى المدمجة (ألومنيوم)

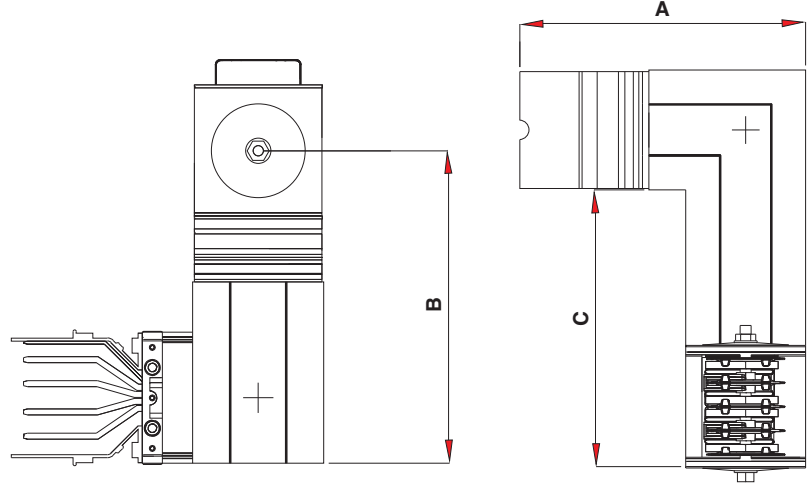
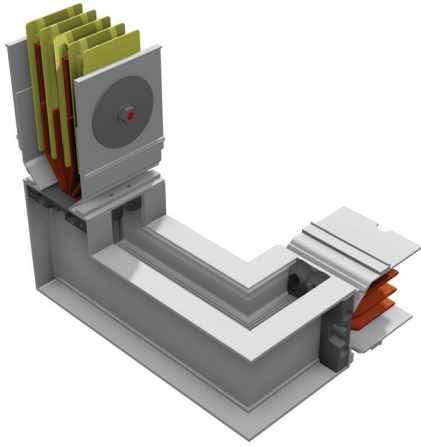


Rated (A) مقدور (أمبير)	Length (mm) الطول (مم)			Order No رقم الطلب	Pcs. القطع	Weight (Kg) الوزن (كغم)
Aluminium (Al)	A (mm)	B (mm)	C (mm)			
0800	310	330	300	AS-H-AB 5550800DLC	1 unit	16.00
1000	310	355	300	AS-H-AB 5551000DLC	1 unit	19.00
1250	310	380	300	AS-H-AB 5551250DLC	1 unit	23.00
1600	310	405	300	AS-H-AB 5551600DLC	1 unit	27.00
2000	310	455	300	AS-H-AB 5552000DLC	1 unit	35.00
2500	310	580	300	AS-H-AB 5552500DLC	1 unit	58.00
3200	310	630	300	AS-H-AB 5553200DLC	1 unit	70.00
4000	310	730	300	AS-H-AB 5554000DLC	1 unit	91.00
5000	310	1005	300	AS-H-AB 5555000DLC	1 unit	161.00

NEP Compact Busbar Trunking Systems

أنظمة توصيلات قضيب التوزيع المدمجة

High Power
طاقة عالية

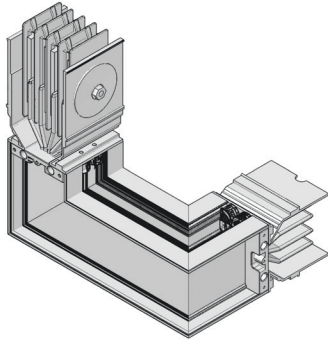


C=min.300 mm

Right Upwards Combined Offset 3P+N+%50Pe

الإزاحة السفلية اليسرى المدمجة 50%+N+P3 قطعة

Right Upwards Combined Offset (Cu) (الإزاحة السفلية اليمنى المدمجة (نحاس))

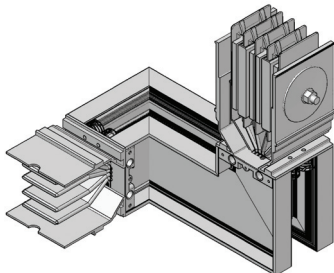


Rated (A) مقدر (أمبير)	Length (mm) الطول (مم)			Order No رقم الطلب	Pcs. القطع	Weight (Kg) الوزن (كغم)
Copper (Cu)	A (mm)	B (mm)	C (mm)			
0800	310	310	300	AS-H-CB 5550800RUC	1 unit	20.00
1000	330	310	300	AS-H-CB 5551000RUC	1 unit	25.00
1200	355	310	300	AS-H-CB 5551250RUC	1 unit	33.00
1600	380	310	300	AS-H-CB 5551600RUC	1 unit	40.00
2000	405	310	300	AS-H-CB 5552000RUC	1 unit	47.00
2500	455	310	300	AS-H-CB 5552500RUC	1 unit	63.00
3200	580	310	300	AS-H-CB 5553200RUC	1 unit	96.00
4000	630	310	300	AS-H-CB 5554000RUC	1 unit	116.00
5000	730	310	300	AS-H-CB 5555000RUC	1 unit	157.00
6300	1005	310	300	AS-H-CB 5556300RUC	1 unit	273.00

Right Upwards Combined Offset 3P+N+%50Pe

الإزاحة السفلية اليسرى المدمجة 50%+N+P3 قطعة

Right Upwards Combined Offset (Al) (الإزاحة السفلية اليمنى المدمجة (ألومنيوم))

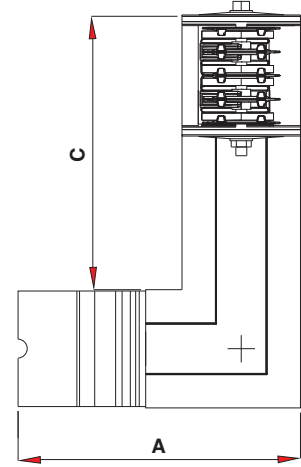
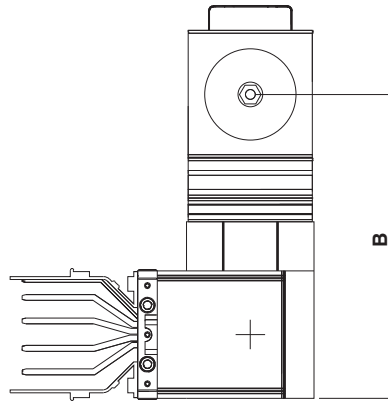
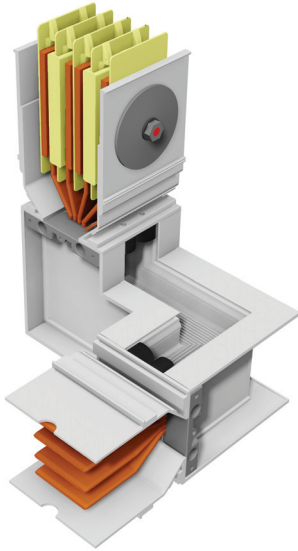


Rated (A) مقدر (أمبير)	Length (mm) الطول (مم)			Order No رقم الطلب	Pcs. القطع	Weight (Kg) الوزن (كغم)
Aluminium (Al)	A (mm)	B (mm)	C (mm)			
0800	330	310	300	AS-H-AB 5550800RUC	1 unit	16.00
1000	355	310	300	AS-H-AB 5551000RUC	1 unit	19.00
1250	380	310	300	AS-H-AB 5551250RUC	1 unit	23.00
1600	405	310	300	AS-H-AB 5551600RUC	1 unit	27.00
2000	455	310	300	AS-H-AB 5552000RUC	1 unit	35.00
2500	580	310	300	AS-H-AB 5552500RUC	1 unit	58.00
3200	630	310	300	AS-H-AB 5553200RUC	1 unit	70.00
4000	730	310	300	AS-H-AB 5554000RUC	1 unit	91.00
5000	1005	310	300	AS-H-AB 5555000RUC	1 unit	161.00

NEP Compact Busbar Trunking Systems

أنظمة توصيلات قضيب التوزيع المدمجة

High Power
طاقة عالية

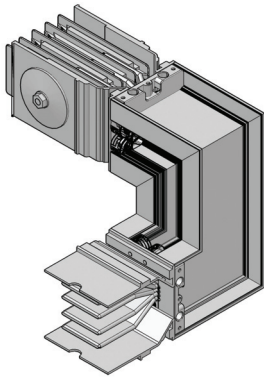


Left Upwards Combined Offset 3P+N+%50Pe

الإزاحة العلوية اليمنى المدمجة 50%+N+P3 قطعة

Left Upwards Combined Offset (Cu)
الإزاحة العلوية اليمنى المدمجة (نحاس)

Rated (A) مقدر (أمبير)	Length (mm) الطول (مم)			Order No رقم الطلب	Pcs. القطع	Weight (Kg) الوزن (كغم)
Copper (Cu)	A (mm)	B (mm)	C (mm)			
800	310	310	300	AS-H-CB 5550800LUC	1 unit	20.00
1000	330	310	300	AS-H-CB 5551000LUC	1 unit	25.00
1200	355	310	300	AS-H-CB 5551250LUC	1 unit	33.00
1600	380	310	300	AS-H-CB 5551600LUC	1 unit	40.00
2000	405	310	300	AS-H-CB 5552000LUC	1 unit	47.00
2500	455	310	300	AS-H-CB 5552500LUC	1 unit	63.00
3200	580	310	300	AS-H-CB 5553200LUC	1 unit	96.00
4000	630	310	300	AS-H-CB 5554000LUC	1 unit	116.00
5000	730	310	300	AS-H-CB 5555000LUC	1 unit	157.00
6300	1005	310	300	AS-H-CB 5556300LUC	1 unit	273.00

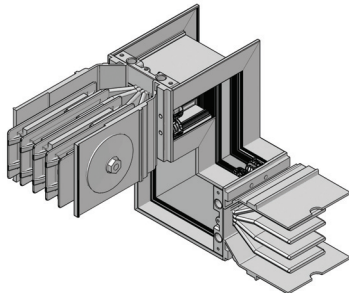


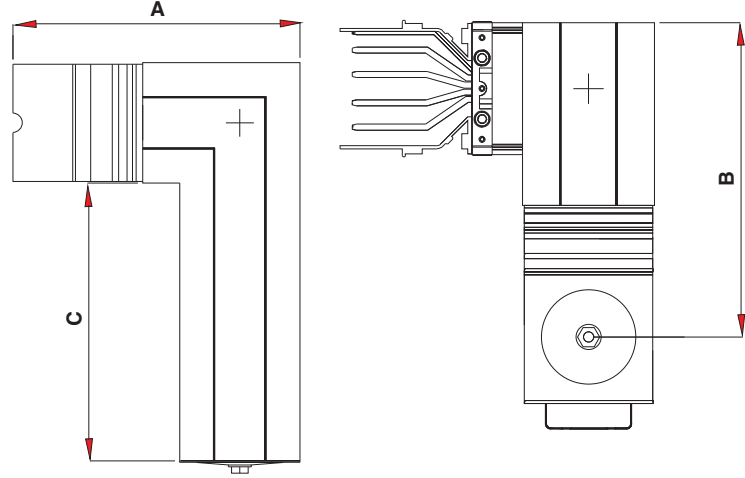
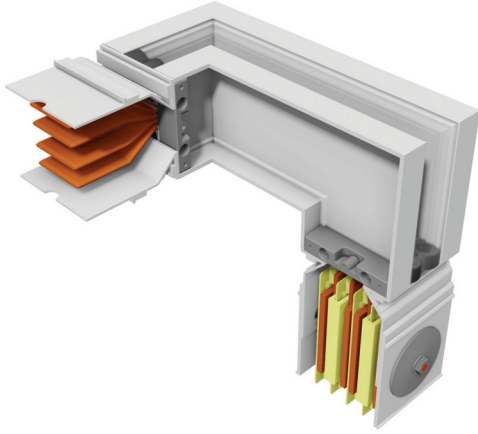
Left Upwards Combined Offset 3P+N+%50Pe

الإزاحة العلوية اليمنى المدمجة 50%+N+P3 قطعة

Left Upwards Combined Offset (Al)
الإزاحة العلوية اليمنى المدمجة (ألومنيوم)

Rated (A) مقدر (أمبير)	Length (mm) الطول (مم)			Order No رقم الطلب	Pcs. القطع	Weight (Kg) الوزن (كغم)
Aluminium (Al)	A (mm)	B (mm)	C (mm)			
0800	330	310	300	AS-H-AB 5550800LUC	1 unit	16.00
1000	355	310	300	AS-H-AB 5551000LUC	1 unit	19.00
1250	380	310	300	AS-H-AB 5551250LUC	1 unit	23.00
1600	405	310	300	AS-H-AB 5551600LUC	1 unit	27.00
2000	455	310	300	AS-H-AB 5552000LUC	1 unit	35.00
2500	580	310	300	AS-H-AB 5552500LUC	1 unit	58.00
3200	630	310	300	AS-H-AB 5553200LUC	1 unit	70.00
4000	730	310	300	AS-H-AB 5554000LUC	1 unit	91.00
5000	1005	310	300	AS-H-AB 5555000LUC	1 unit	161.00





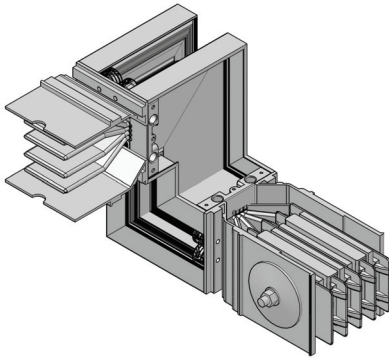
C=min.300 cm

Right Downwards Combined Offset 3P+N+%50Pe

الإزاحة العلوية اليسرى المدمجة 50%+N+P3 قطعة

Right Downwards Combined Offset (Cu) الإزاحة العلوية اليسرى المدمجة (نحاس)

Rated (A) مقدر (أمبير)	Length (mm) الطول (مم)			Order No رقم الطلب	Pcs. القطع	Weight (Kg) الوزن (كغم)
Copper (Cu)	A (mm)	B (mm)	C (mm)			
800	310	310	300	AS-H-CB 5550800CRD	1 unit	20.00
1000	330	310	300	AS-H-CB 5551000CRD	1 unit	25.00
1200	355	310	300	AS-H-CB 5551250CRD	1 unit	33.00
1600	380	310	300	AS-H-CB 5551600CRD	1 unit	40.00
2000	405	310	300	AS-H-CB 5552000CRD	1 unit	47.00
2500	455	310	300	AS-H-CB 5552500CRD	1 unit	63.00
3200	580	310	300	AS-H-CB 5553200CRD	1 unit	96.00
4000	630	310	300	AS-H-CB 5554000CRD	1 unit	116.00
5000	730	310	300	AS-H-CB 5555000CRD	1 unit	157.00
6300	1005	310	300	AS-H-CB 5556300CRD	1 unit	273.00

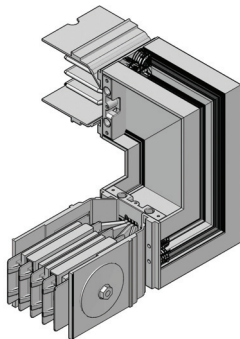


Right Downwards Combined Offset 3P+N+%50Pe

الإزاحة العلوية اليسرى المدمجة 50%+N+P3 قطعة

Right Downwards Combined Offset (Al) الإزاحة العلوية اليسرى المدمجة (ألومنيوم)

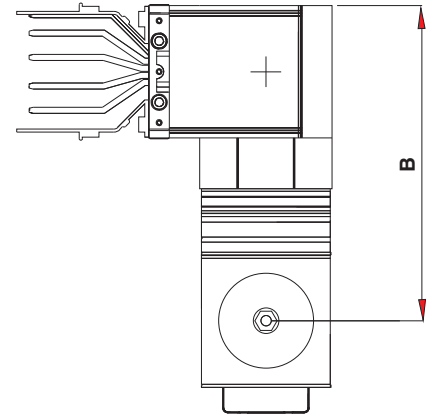
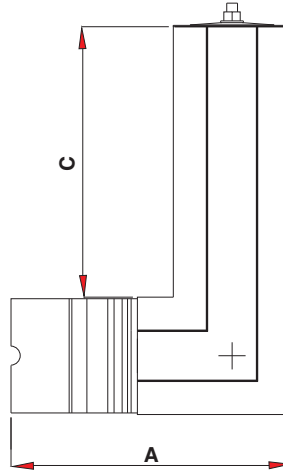
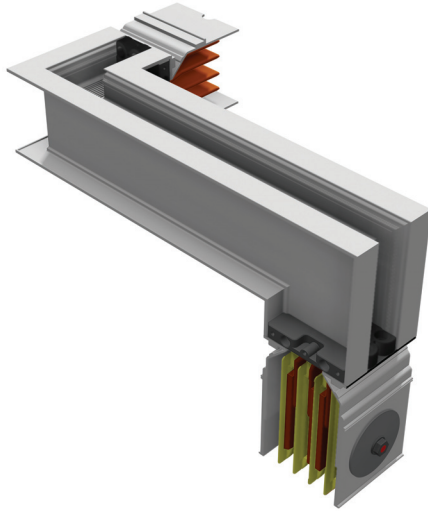
Rated (A) مقدر (أمبير)	Length (mm) الطول (مم)			Order No رقم الطلب	Pcs. القطع	Weight (Kg) الوزن (كغم)
Aluminium (Al)	A (mm)	B (mm)	C (mm)			
0800	330	310	300	AS-H-AB 5550800CRD	1 unit	16.00
1000	355	310	300	AS-H-AB 5551000CRD	1 unit	19.00
1250	380	310	300	AS-H-AB 5551250CRD	1 unit	23.00
1600	405	310	300	AS-H-AB 5551600CRD	1 unit	27.00
2000	455	310	300	AS-H-AB 5552000CRD	1 unit	35.00
2500	580	310	300	AS-H-AB 5552500CRD	1 unit	58.00
3200	630	310	300	AS-H-AB 5553200CRD	1 unit	70.00
4000	730	310	300	AS-H-AB 5554000CRD	1 unit	91.00
5000	1005	310	300	AS-H-AB 5555000CRD	1 unit	161.00



NEP Compact Busbar Trunking Systems

أنظمة توصيلات قضيب التوزيع المدمجة

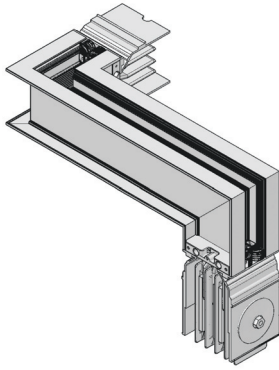
High Power
طاقة عالية



Left Downwards Combined Offset 3P+N+%50Pe

الإزاحة السفلية اليمنى المدمجة 50%+N+P3 قطعة

Left Downwards Combined Offset (Cu) (الإزاحة السفلية اليمنى المدمجة (نحاس))

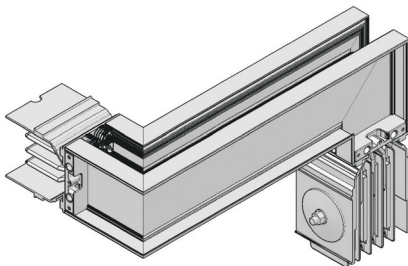


Rated (A) مقدراً (أمبير)	Length (mm) الطول (مم)			Order No رقم الطلب	Pcs. القطع	Weight (Kg) الوزن (كغم)
Copper (Cu)	A (mm)	B (mm)	C (mm)			
800	310	310	300	AS-H-CB 5550800LDC	1 unit	20.00
1000	330	310	300	AS-H-CB 5551000LDC	1 unit	25.00
1200	355	310	300	AS-H-CB 5551250LDC	1 unit	33.00
1600	380	310	300	AS-H-CB 5551600LDC	1 unit	40.00
2000	405	310	300	AS-H-CB 5552000LDC	1 unit	47.00
2500	455	310	300	AS-H-CB 5552500LDC	1 unit	63.00
3200	580	310	300	AS-H-CB 5553200LDC	1 unit	96.00
4000	630	310	300	AS-H-CB 5554000LDC	1 unit	116.00
5000	730	310	300	AS-H-CB 5555000LDC	1 unit	157.00
6300	1005	310	300	AS-H-CB 5556300LDC	1 unit	273.00

Left Downwards Combined Offset 3P+N+%50Pe

الإزاحة السفلية اليمنى المدمجة 50%+N+P3 قطعة

Left Downwards Combined Offset (Al) (الإزاحة السفلية اليمنى المدمجة (ألومنيوم))

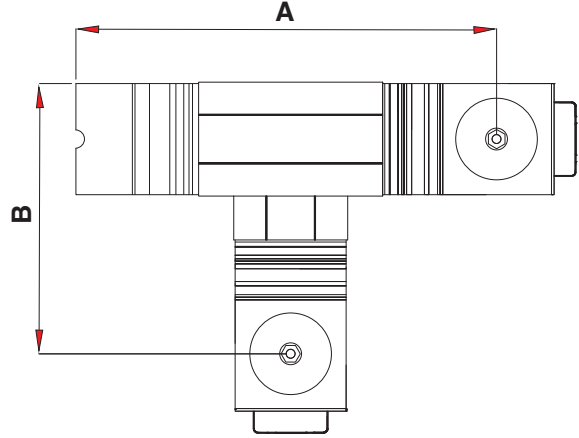
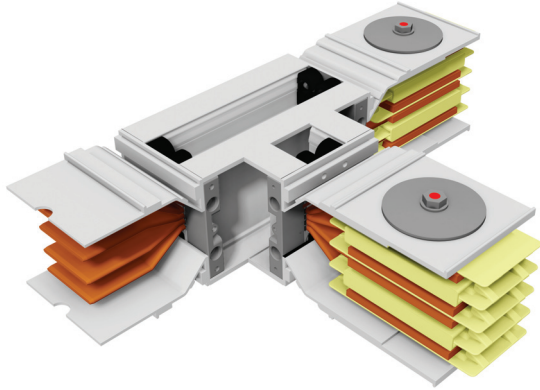


Rated (A) مقدراً (أمبير)	Length (mm) الطول (مم)			Order No رقم الطلب	Pcs. القطع	Weight (Kg) الوزن (كغم)
Aluminium (Al)	A (mm)	B (mm)	C (mm)			
0800	330	310	300	AS-H-AB 5550800LDC	1 unit	16.00
1000	355	310	300	AS-H-AB 5551000LDC	1 unit	19.00
1250	380	310	300	AS-H-AB 5551250LDC	1 unit	23.00
1600	405	310	300	AS-H-AB 5551600LDC	1 unit	27.00
2000	455	310	300	AS-H-AB 5552000LDC	1 unit	35.00
2500	580	310	300	AS-H-AB 5552500LDC	1 unit	58.00
3200	630	310	300	AS-H-AB 5553200LDC	1 unit	70.00
4000	730	310	300	AS-H-AB 5554000LDC	1 unit	91.00
5000	1005	310	300	AS-H-AB 5555000LDC	1 unit	161.00

NEP Compact Busbar Trunking Systems

أنظمة توصيلات قضيب التوزيع المدمجة

High Power
طاقة عالية

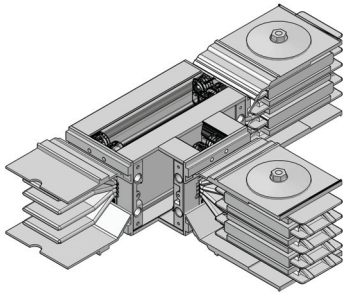


Right Side Feeder "T" 3P+N+%50Pe

الإزاحة السفلية اليسرى المدمجة 50%+N+P3 قطعة

Right Side Feeder "T" (Cu)

الإزاحة السفلية اليسرى المدمجة (الوننيوم)



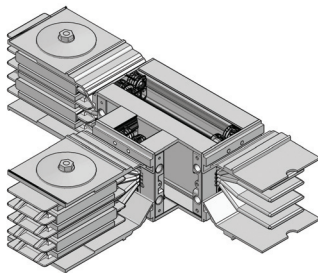
Rated (A) مقدر (أمبير)	Length (mm) الطول (مم)		Order No رقم الطلب	Pcs. القطع	Weight (Kg) الوزن (كغم)
Copper (Cu)	A (mm)	B (mm)			
800	490	310	AS-H-CB 5550800TER	1 unit	23.00
1000	510	330	AS-H-CB 5551000TER	1 unit	30.00
1200	535	355	AS-H-CB 5551250TER	1 unit	39.00
1600	560	380	AS-H-CB 5551600TER	1 unit	48.00
2000	585	405	AS-H-CB 5552000TER	1 unit	59.00
2500	635	455	AS-H-CB 5552500TER	1 unit	80.00
3200	760	580	AS-H-CB 5553200TER	1 unit	133.00
4000	810	630	AS-H-CB 5554000TER	1 unit	163.00
5000	910	730	AS-H-CB 5555000TER	1 unit	229.00
6300	1185	1005	AS-H-CB 5556300TER	1 unit	433.00

Right Side Feeder "T" 3P+N+%50Pe

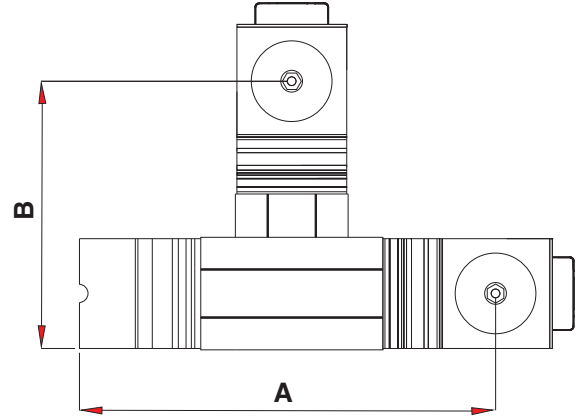
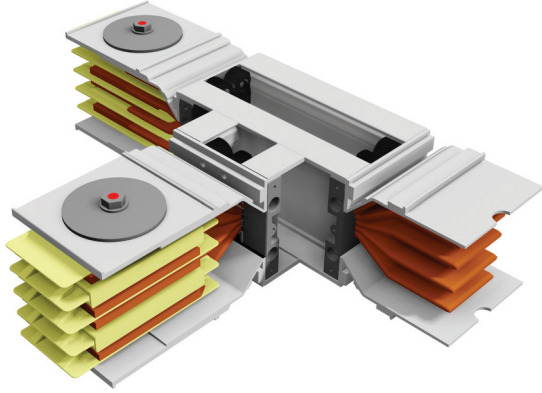
الإزاحة السفلية اليسرى المدمجة 50%+N+P3 قطعة

Right Side Feeder "T" (Al)

الإزاحة السفلية اليسرى المدمجة (الوننيوم)



Rated (A) مقدر (أمبير)	Length (mm) الطول (مم)		Order No رقم الطلب	Pcs. القطع	Weight (Kg) الوزن (كغم)
Aluminium (Al)	A (mm)	B (mm)			
0800	310	510	AS-H-AB 5550800TER	1 unit	21.00
1000	330	535	AS-H-AB 5551000TER	1 unit	26.00
1250	355	560	AS-H-AB 5551250TER	1 unit	31.00
1600	380	585	AS-H-AB 5551600TER	1 unit	37.00
2000	405	635	AS-H-AB 5552000TER	1 unit	49.00
2500	455	760	AS-H-AB 5552500TER	1 unit	86.00
3200	580	810	AS-H-AB 5553200TER	1 unit	103.00
4000	630	910	AS-H-AB 5554000TER	1 unit	139.00
5000	730	1185	AS-H-AB 5555000TER	1 unit	256.00

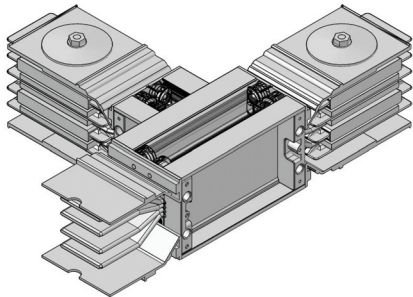


Left Side Feeder "T" 3P+N+%50Pe

وحدة التغذية الجانبية اليمنى "T" 3P+N+%50Pe

Left Side Feeder "T" (Cu)

وحدة التغذية الجانبية اليمنى "T" (نحاس)



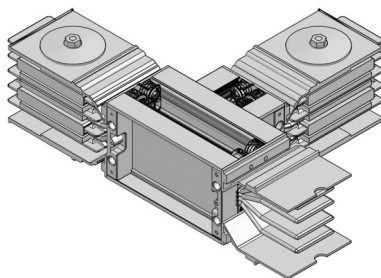
Rated (A) مقدر (أمبير)	Length (mm) الطول (مم)	Order No رقم الطلب	Pcs. القطع	Weight (Kg) الوزن (كغم)
Copper (Cu)	A (mm)	B (mm)		
0800	490	310	AS-H-CB 5550800TEL	1 unit 23.00
1000	510	330	AS-H-CB 5551000TEL	1 unit 30.00
1200	535	355	AS-H-CB 5551250TEL	1 unit 39.00
1600	560	380	AS-H-CB 5551600TEL	1 unit 48.00
2000	585	405	AS-H-CB 5552000TEL	1 unit 59.00
2500	635	455	AS-H-CB 5552500TEL	1 unit 80.00
3200	760	580	AS-H-CB 5553200TEL	1 unit 133.00
4000	810	630	AS-H-CB 5554000TEL	1 unit 163.00
5000	910	730	AS-H-CB 5555000TEL	1 unit 229.00
6300	1185	1005	AS-H-CB 5556300TEL	1 unit 433.00

Left Side Feeder "T" 3P+N+%50Pe

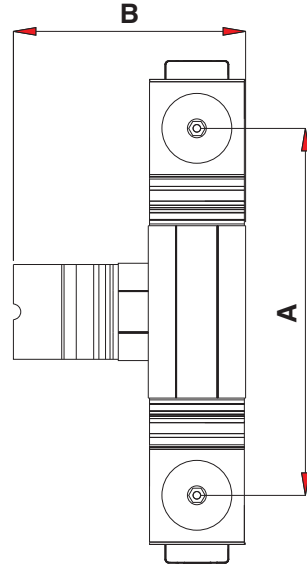
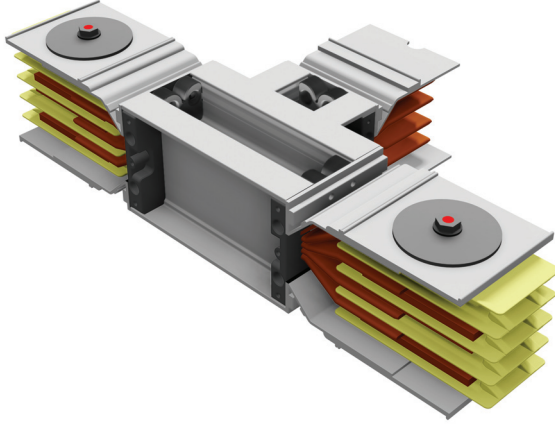
وحدة التغذية الجانبية اليمنى "T" 3P+N+%50Pe

Left Side Feeder "T" (Al)

وحدة التغذية الجانبية اليمنى "T" (ألومنيوم)



Rated (A) مقدر (أمبير)	Length (mm) الطول (مم)	Order No رقم الطلب	Pcs. القطع	Weight (Kg) الوزن (كغم)
Aluminium (Al)	B (mm)	C (mm)		
0800	330	510	AS-H-AB 5550800TEL	1 unit 21.00
1000	355	535	AS-H-AB 5551000TEL	1 unit 26.00
1250	380	560	AS-H-AB 5551250TEL	1 unit 31.00
1600	405	585	AS-H-AB 5551600TEL	1 unit 37.00
2000	455	635	AS-H-AB 5552000TEL	1 unit 49.00
2500	580	760	AS-H-AB 5552500TEL	1 unit 86.00
3200	630	810	AS-H-AB 5553200TEL	1 unit 103.00
4000	730	910	AS-H-AB 5554000TEL	1 unit 139.00
5000	1005	1185	AS-H-AB 5555000TEL	1 unit 256.00

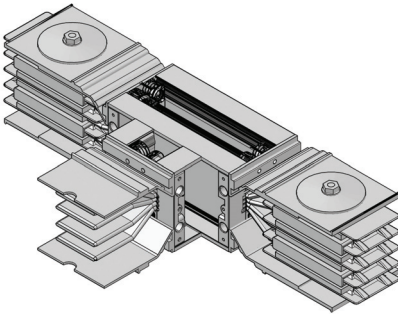


Central Feeder "T" 3P+N+%50Pe

وحدة التغذية الجانبية اليسرى "T" 50%+N+P3 قطعة

Central Feeder "T" (Cu) وحدة التغذية الجانبية اليسرى "T" (نحاس)

Rated (A) مقدر (أمبير)	Length (mm) الطول (مم)		Order No رقم الطلب	Pcs. القطع	Weight (Kg) الوزن (كغم)
Copper (Cu)	A (mm)	B (mm)			
800	490	310	AS-H-CB 5550800TEM	1 unit	23.00
1000	510	330	AS-H-CB 5551000TEM	1 unit	30.00
1200	535	355	AS-H-CB 5551250TEM	1 unit	39.00
1600	560	380	AS-H-CB 5551600TEM	1 unit	48.00
2000	585	405	AS-H-CB 5552000TEM	1 unit	59.00
2500	635	455	AS-H-CB 5552500TEM	1 unit	80.00
3200	760	580	AS-H-CB 5553200TEM	1 unit	133.00
4000	810	630	AS-H-CB 5554000TEM	1 unit	163.00
5000	910	730	AS-H-CB 5555000TEM	1 unit	229.00
6300	1185	1005	AS-H-CB 5556300TEM	1 unit	433.00

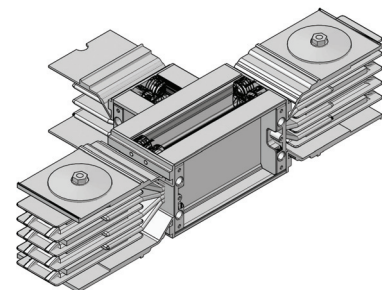


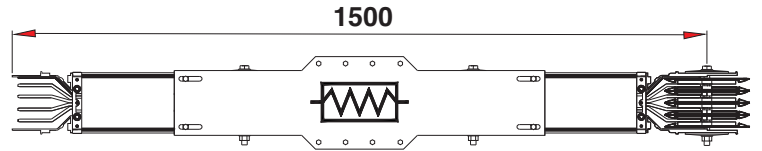
Central Feeder "T" 3P+N+%50Pe

وحدة التغذية الجانبية اليسرى "T" 50%+N+P3 قطعة

Central Feeder "T" (Al) وحدة التغذية الجانبية اليسرى "T" (ألومنيوم)

Rated (A) مقدر (أمبير)	Length (mm) الطول (مم)		Order No رقم الطلب	Pcs. القطع	Weight (Kg) الوزن (كغم)
Aluminium (Al)	A (mm)	B (mm)			
0800	510	330	AS-H-AB 5550800TEM	1 unit	21.00
1000	535	355	AS-H-AB 5551000TEM	1 unit	26.00
1250	560	380	AS-H-AB 5551250TEM	1 unit	31.00
1600	585	405	AS-H-AB 5551600TEM	1 unit	37.00
2000	635	455	AS-H-AB 5552000TEM	1 unit	49.00
2500	760	580	AS-H-AB 5552500TEM	1 unit	86.00
3200	810	630	AS-H-AB 5553200TEM	1 unit	103.00
4000	910	730	AS-H-AB 5554000TEM	1 unit	139.00
5000	1185	1005	AS-H-AB 5555000TEM	1 unit	256.00

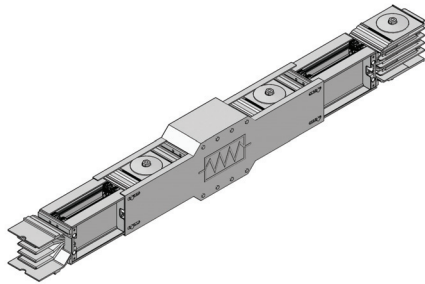




Horizontal Expansion 3P+N+%50Pe

وحدة التغذية الوسطى "T" 50%+N+P3 قطعة

Horizontal Expansion (Cu) وحدة التغذية الوسطى "T" (نحاس)

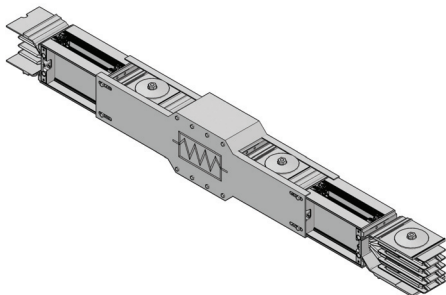


Rated (A) مقدر (أمبير)	Length (mm) الطول (مم)	Order No رقم الطلب	Pcs. القطع	Weight (Kg) الوزن (كغم)
Copper (Cu)				
0800	1500	AS-H-CB 5550800HDE	1 unit	39.00
1000	1500	AS-H-CB 5551000HDE	1 unit	50.00
1250	1500	AS-H-CB 5551250HDE	1 unit	63.00
1600	1500	AS-H-CB 5551600HDE	1 unit	76.00
2000	1500	AS-H-CB 5552000HDE	1 unit	89.00
2500	1500	AS-H-CB 5552500HDE	1 unit	115.00
3200	1500	AS-H-CB 5553200HDE	1 unit	163.00
4000	1500	AS-H-CB 5554000HDE	1 unit	198.00
5000	1500	AS-H-CB 5555000HDE	1 unit	257.00
6300	1500	AS-H-CB 5556300HDE	1 unit	412.00

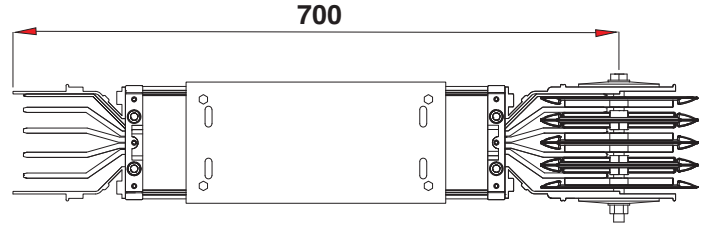
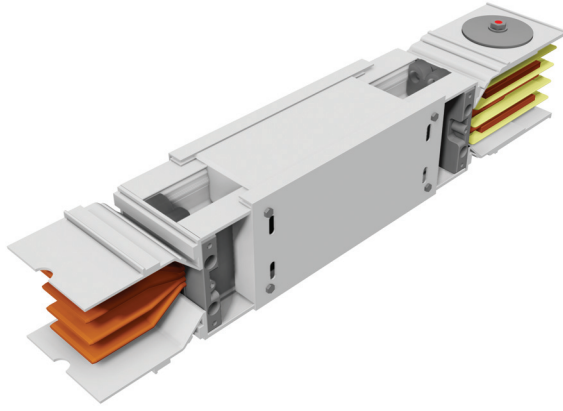
Horizontal Expansion 3P+N+%50Pe

وحدة التغذية الوسطى "T" 50%+N+P3 قطعة

Horizontal Expansion (Al) وحدة التغذية الوسطى "T" (ألومنيوم)



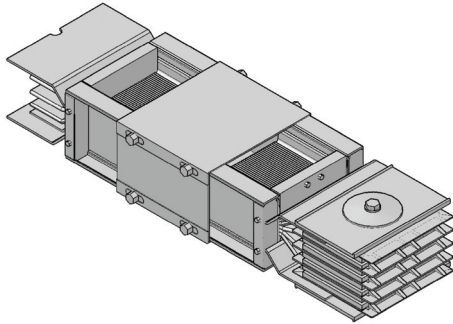
Rated (A) مقدر (أمبير)	Length (mm) الطول (مم)	Order No رقم الطلب	Pcs. القطع	Weight (Kg) الوزن (كغم)
Aluminium (Al)				
0800	1500	AS-H-AB 5550800HDE	1 unit	31.00
1000	1500	AS-H-AB 5551000HDE	1 unit	38.00
1250	1500	AS-H-AB 5551250HDE	1 unit	45.00
1600	1500	AS-H-AB 5551600HDE	1 unit	52.00
2000	1500	AS-H-AB 5552000HDE	1 unit	66.00
2500	1500	AS-H-AB 5552500HDE	1 unit	101.00
3200	1500	AS-H-AB 5553200HDE	1 unit	124.00
4000	1500	AS-H-AB 5554000HDE	1 unit	158.00
5000	1500	AS-H-AB 5555000HDE	1 unit	263.00



Vertical Expansion 3P+N+%50Pe

التوسع الأفقي 50%+N+P3 قطعة

Vertical Expansion (Cu) التوسع الأفقي (نحاس)

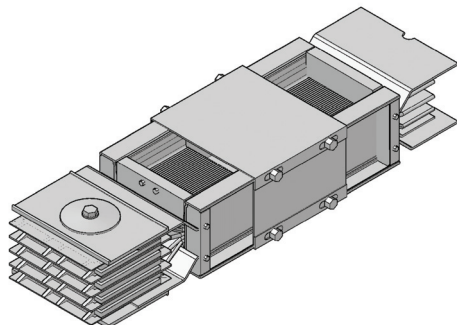


Rated (A) مقدر (أمبير)	Length (mm) الطول (مم)	Order No رقم الطلب	Pcs. القطع	Weight (Kg) الوزن (كغم)
Copper (Cu)				
0800	700	AS-H-CB 5550800VDE	1 unit	19.00
1000	700	AS-H-CB 5551000VDE	1 unit	25.00
1250	700	AS-H-CB 5551250VDE	1 unit	31.00
1600	700	AS-H-CB 5551600VDE	1 unit	37.00
2000	700	AS-H-CB 5552000VDE	1 unit	44.00
2500	700	AS-H-CB 5552500VDE	1 unit	56.00
3200	700	AS-H-CB 5553200VDE	1 unit	85.00
4000	700	AS-H-CB 5554000VDE	1 unit	101.00
5000	700	AS-H-CB 5555000VDE	1 unit	131.00
6300	700	AS-H-CB 5556300VDE	1 unit	218.00

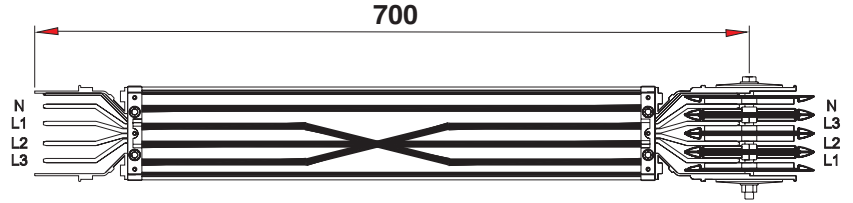
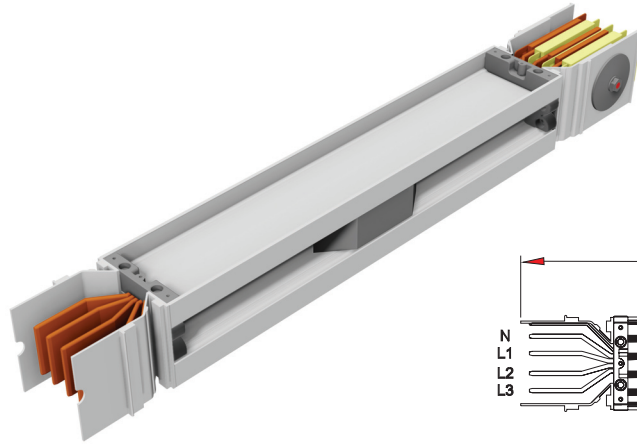
Vertical Expansion 3P+N+%50Pe

التوسع الأفقي 50%+N+P3 قطعة

Vertical Expansion (Al) التوسع الأفقي (ألومنيوم)



Rated (A) مقدر (أمبير)	Length (mm) الطول (مم)	Order No رقم الطلب	Pcs. القطع	Weight (Kg) الوزن (كغم)
Aluminium (Al)				
0800	700	AS-H-AB 5550800VDE	1 unit	16.00
1000	700	AS-H-AB 5551000VDE	1 unit	19.00
1250	700	AS-H-AB 5551250VDE	1 unit	23.00
1600	700	AS-H-AB 5551600VDE	1 unit	27.00
2000	700	AS-H-AB 5552000VDE	1 unit	34.00
2500	700	AS-H-AB 5552500VDE	1 unit	57.00
3200	700	AS-H-AB 5553200VDE	1 unit	67.00
4000	700	AS-H-AB 5554000VDE	1 unit	86.00
5000	700	AS-H-AB 5555000VDE	1 unit	149.00

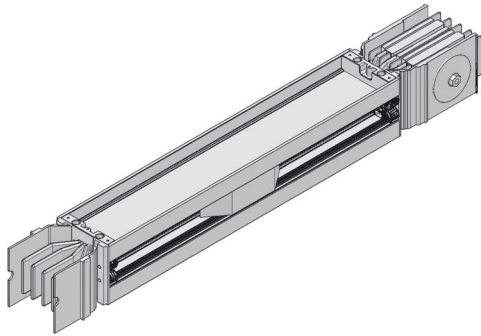


Phase Transposition Module 3P+N+50Pe

وحدة تحويل الطور 50%+N+P3 قطعة

Phase Transposition Module (Cu)

وحدة تحويل الطور (نحاس)



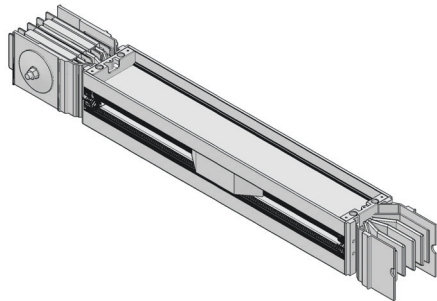
Rated (A) مقدر (أمبير)	Length (mm) الطول (مم)	Order No رقم الطلب	Pcs. القطع	Weight (Kg) الوزن (كغم)
Copper (Cu)				
0800	700	AS-H-CB 5550800PTM	1 unit	18.00
1000	700	AS-H-CB 5551000PTM	1 unit	23.00
1250	700	AS-H-CB 5551250PTM	1 unit	29.00
1600	700	AS-H-CB 5551600PTM	1 unit	35.00
2000	700	AS-H-CB 5552000PTM	1 unit	42.00
2500	700	AS-H-CB 5552500PTM	1 unit	54.00
3200	700	AS-H-CB 5553200PTM	1 unit	80.00
4000	700	AS-H-CB 5554000PTM	1 unit	95.00
5000	700	AS-H-CB 5555000PTM	1 unit	123.00
6300	700	AS-H-CB 5556300PTM	1 unit	201.00

Phase Transposition Module 3P+N+50Pe

وحدة تحويل الطور 50%+N+P3 قطعة

Phase Transposition Module (Al)

وحدة تحويل الطور (ألومنيوم)

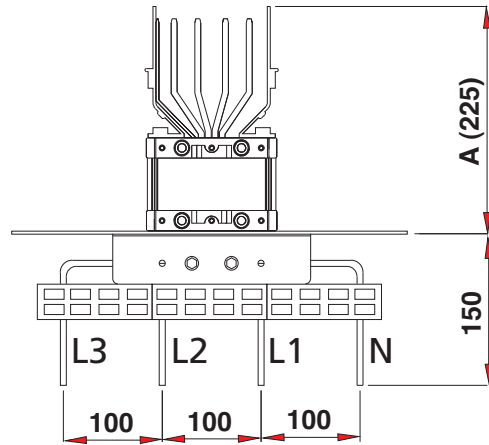
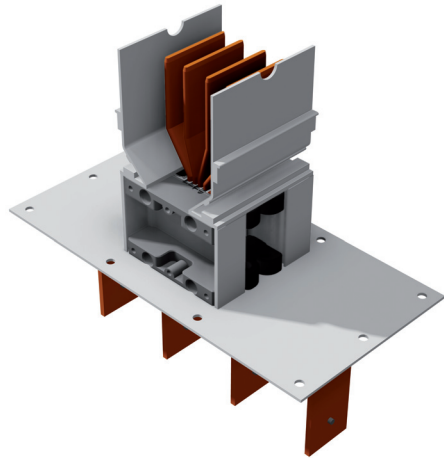


Rated (A) مقدر (أمبير)	Length (mm) الطول (مم)	Order No رقم الطلب	Pcs. القطع	Weight (Kg) الوزن (كغم)
Aluminium (Al)				
0800	700	AS-H-AB 5550800PTM	1 unit	15.00
1000	700	AS-H-AB 5551000PTM	1 unit	18.00
1250	700	AS-H-AB 5551250PTM	1 unit	21.00
1600	700	AS-H-AB 5551600PTM	1 unit	25.00
2000	700	AS-H-AB 5552000PTM	1 unit	31.00
2500	700	AS-H-AB 5552500PTM	1 unit	52.00
3200	700	AS-H-AB 5553200PTM	1 unit	61.00
4000	700	AS-H-AB 5554000PTM	1 unit	78.00
5000	700	AS-H-AB 5555000PTM	1 unit	133.00

NEP Compact Busbar Trunking Systems

أنظمة توصيلات قضيب التوزيع المدمجة

High Power
طاقة عالية

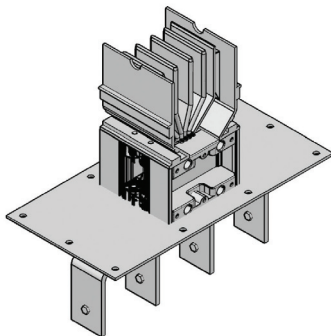


Panel Connection P10 3P+N+%50Pe

وصلة اللوحة 10P 3P+N+%50Pe قطعة

Panel Connection P10 (Cu)

وصلة اللوحة 10P (نحاس)



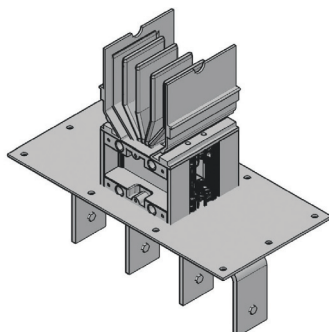
Rated (A) مقدر (أمبير)	Length (mm) الطول (مم)	Order No رقم الطلب	Pcs. القطع	Weight (Kg) الوزن (كغم)
Copper (Cu)		A (mm)		
0800	225	AS-H-CB 5550800P10	1 unit	10.00
1000	225	AS-H-CB 5551000P10	1 unit	12.00
1250	225	AS-H-CB 5551250P10	1 unit	15.00
1600	225	AS-H-CB 5551600P10	1 unit	19.00
2000	225	AS-H-CB 5552000P10	1 unit	22.00
2500	225	AS-H-CB 5552500P10	1 unit	29.00
3200	225	AS-H-CB 5553200P10	1 unit	43.00
4000	225	AS-H-CB 5554000P10	1 unit	51.00
5000	225	AS-H-CB 5555000P10	1 unit	67.00
6300	225	AS-H-CB 5556300P10	1 unit	113.00

Panel Connection P10 3P+N+%50Pe

وصلة اللوحة 10P 3P+N+%50Pe قطعة

Panel Connection P10 (Al)

وصلة اللوحة 10P (ألومنيوم)

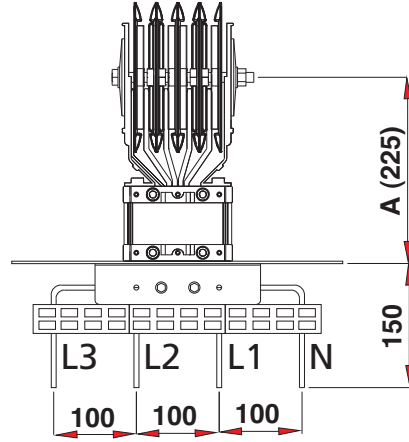
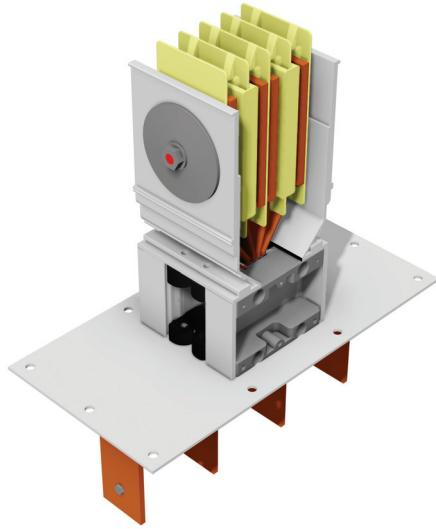


Rated (A) مقدر (أمبير)	Length (mm) الطول (مم)	Order No رقم الطلب	Pcs. القطع	Weight (Kg) الوزن (كغم)
Aluminium (Al)				
0800	225	AS-H-AB 5550800P10	1 unit	8.00
1000	225	AS-H-AB 5551000P10	1 unit	10.00
1250	225	AS-H-AB 5551250P10	1 unit	12.00
1600	225	AS-H-AB 5551600P10	1 unit	14.00
2000	225	AS-H-AB 5552000P10	1 unit	17.00
2500	225	AS-H-AB 5552500P10	1 unit	27.00
3200	225	AS-H-AB 5553200P10	1 unit	32.00
4000	225	AS-H-AB 5554000P10	1 unit	41.00
5000	225	AS-H-AB 5555000P10	1 unit	73.00

NEP Compact Busbar Trunking Systems

أنظمة توصيلات قضيب التوزيع المدمجة

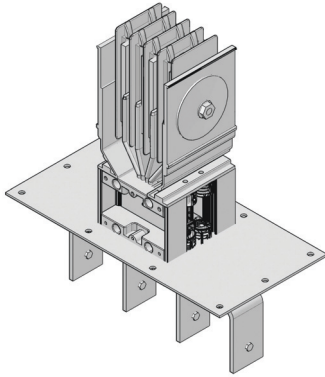
High Power
طاقة عالية



Panel Connection P11 3P+N+%50Pe

وصلة اللوحة 11P 50%+N+P3 قطعة

Panel Connection P11 (Cu) وصلة اللوحة 11P (نحاس)

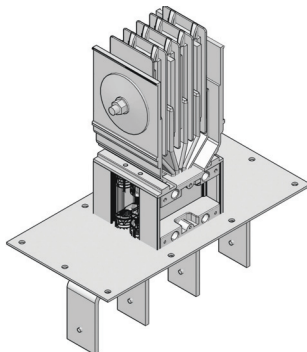


Rated (A) مقدر (أمبير)	Length (mm) الطول (مم)	Order No رقم الطلب	Pcs. القطع	Weight (Kg) الوزن (كغم)
Copper (Cu)		A (mm)		
0800	225	AS-H-CB 5550800P11	1 unit	13.00
1000	225	AS-H-CB 5551000P11	1 unit	16.00
1250	225	AS-H-CB 5551250P11	1 unit	20.00
1600	225	AS-H-CB 5551600P11	1 unit	25.00
2000	225	AS-H-CB 5552000P11	1 unit	29.00
2500	225	AS-H-CB 5552500P11	1 unit	38.00
3200	225	AS-H-CB 5553200P11	1 unit	59.00
4000	225	AS-H-CB 5554000P11	1 unit	70.00
5000	225	AS-H-CB 5555000P11	1 unit	91.00
6300	225	AS-H-CB 5556300P11	1 unit	153.00

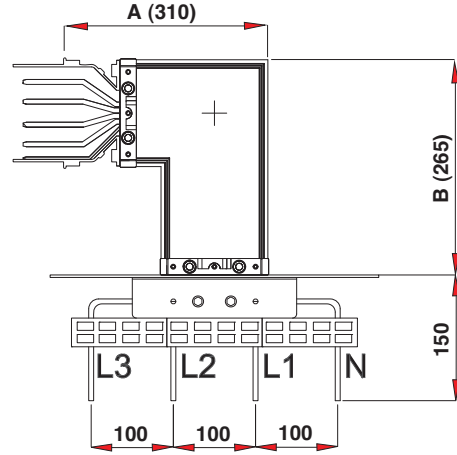
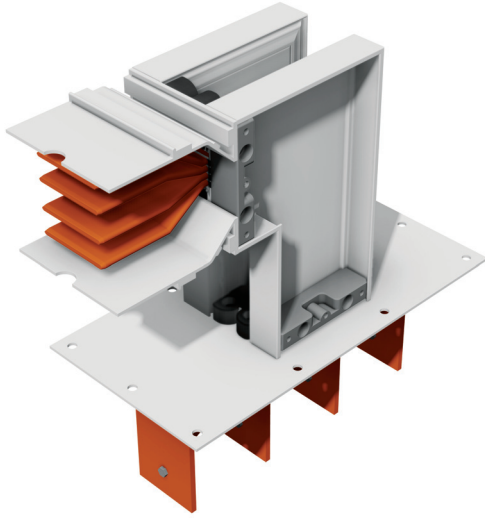
Panel Connection P11 3P+N+%50Pe

وصلة اللوحة 11P 50%+N+P3 قطعة

Panel Connection P11 (Al) وصلة اللوحة 11P (ألومنيوم)



Rated (A) مقدر (أمبير)	Length (mm) الطول (مم)	Order No رقم الطلب	Pcs. القطع	Weight (Kg) الوزن (كغم)
Aluminium (Al)				
0800	225	AS-H-AB 5550800P11	1 unit	12.00
1000	225	AS-H-AB 5551000P11	1 unit	15.00
1250	225	AS-H-AB 5551250P11	1 unit	17.00
1600	225	AS-H-AB 5551600P11	1 unit	20.00
2000	225	AS-H-AB 5552000P11	1 unit	26.00
2500	225	AS-H-AB 5552500P11	1 unit	43.00
3200	225	AS-H-AB 5553200P11	1 unit	51.00
4000	225	AS-H-AB 5554000P11	1 unit	65.00
5000	225	AS-H-AB 5555000P11	1 unit	113.00



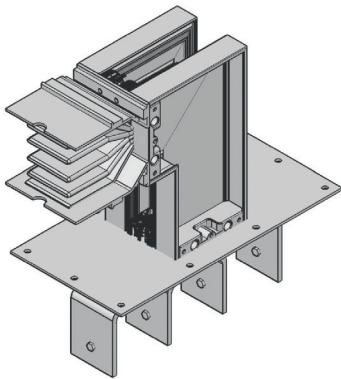
Upwards Panel Connection P12 3P+N+%50Pe

وصلة اللوحة العلوية 12P 50%+N+P3 قطعة

Upwards Panel Connection P12 (Cu)

وصلة اللوحة العلوية 12P (نحاس)

Rated (A) مقدر (أمبير)	Length (mm) الطول (مم)	Order No رقم الطلب	Pcs. القطع	Weight (Kg) الوزن (كغم)
---------------------------	---------------------------	-----------------------	---------------	----------------------------



Copper (Cu)	A (mm)	B (mm)	Order No	Pcs.	Weight (Kg)
0800	310	265	AS-H-CB 5550800P12	1 unit	14.00
1000	310	265	AS-H-CB 5551000P12	1 unit	18.00
1250	310	265	AS-H-CB 5551250P12	1 unit	22.00
1600	310	265	AS-H-CB 5551600P12	1 unit	27.00
2000	310	265	AS-H-CB 5552000P12	1 unit	32.00
2500	310	265	AS-H-CB 5552500P12	1 unit	42.00
3200	310	265	AS-H-CB 5553200P12	1 unit	60.00
4000	310	265	AS-H-CB 5554000P12	1 unit	71.00
5000	310	265	AS-H-CB 5555000P12	1 unit	93.00
6300	310	265	AS-H-CB 5556300P12	1 unit	152.00

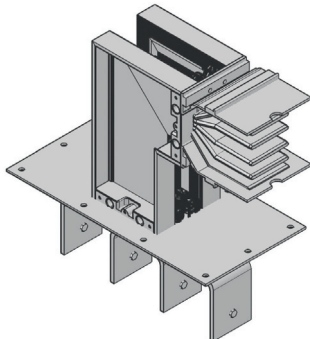
Upwards Panel Connection P12 3P+N+%50Pe

وصلة اللوحة العلوية 12P 50%+N+P3 قطعة

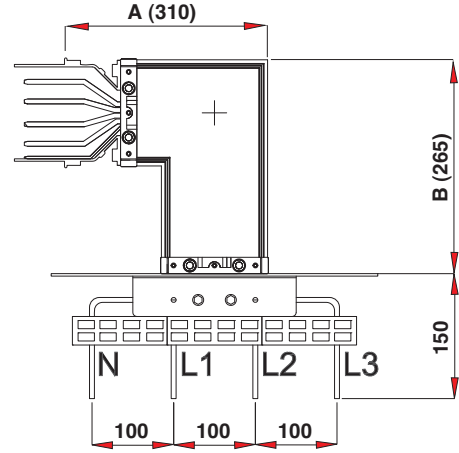
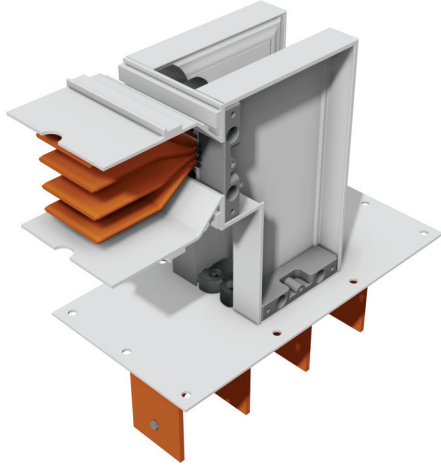
Upwards Panel Connection P12 (Al)

وصلة اللوحة العلوية 12P (ألومنيوم)

Rated (A) مقدر (أمبير)	Length (mm) الطول (مم)	Order No رقم الطلب	Pcs. القطع	Weight (Kg) الوزن (كغم)
---------------------------	---------------------------	-----------------------	---------------	----------------------------



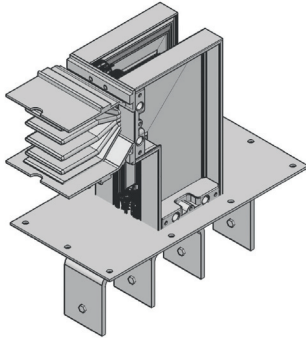
Aluminium (Al)	A (mm)	B (mm)	Order No	Pcs.	Weight (Kg)
0800	310	265	AS-H-AB 5550800P12	1 unit	10.00
1000	310	265	AS-H-AB 5551000P12	1 unit	13.00
1250	310	265	AS-H-AB 5551250P12	1 unit	15.00
1600	310	265	AS-H-AB 5551600P12	1 unit	17.00
2000	310	265	AS-H-AB 5552000P12	1 unit	22.00
2500	310	265	AS-H-AB 5552500P12	1 unit	34.00
3200	310	265	AS-H-AB 5553200P12	1 unit	40.00
4000	310	265	AS-H-AB 5554000P12	1 unit	51.00
5000	310	265	AS-H-AB 5555000P12	1 unit	88.00



Downwards Panel Connection P13 3P+N+%50Pe

وصلة اللوحة السفلية 13P 50%+N+P3 قطعة

Downwards Panel Connection P13 (Cu) وصلة اللوحة السفلية 13P (نحاس)

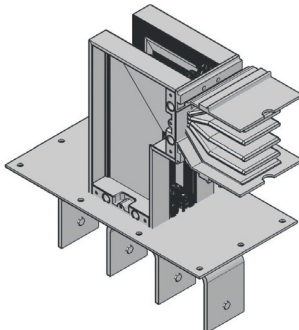


Rated (A) مقدر (أمبير)	Length (mm) الطول (مم)		Order No رقم الطلب	Pcs. القطع	Weight (Kg) الوزن (كغم)
Copper (Cu)	A (mm)	B (mm)			
0800	310	265	AS-H-CB 5550800P13	1 unit	14.00
1000	310	265	AS-H-CB 5551000P13	1 unit	18.00
1250	310	265	AS-H-CB 5551250P13	1 unit	22.00
1600	310	265	AS-H-CB 5551600P13	1 unit	27.00
2000	310	265	AS-H-CB 5552000P13	1 unit	32.00
2500	310	265	AS-H-CB 5552500P13	1 unit	42.00
3200	310	265	AS-H-CB 5553200P13	1 unit	60.00
4000	310	265	AS-H-CB 5554000P13	1 unit	71.00
5000	310	265	AS-H-CB 5555000P13	1 unit	93.00
6300	310	265	AS-H-CB 5556300P13	1 unit	152.00

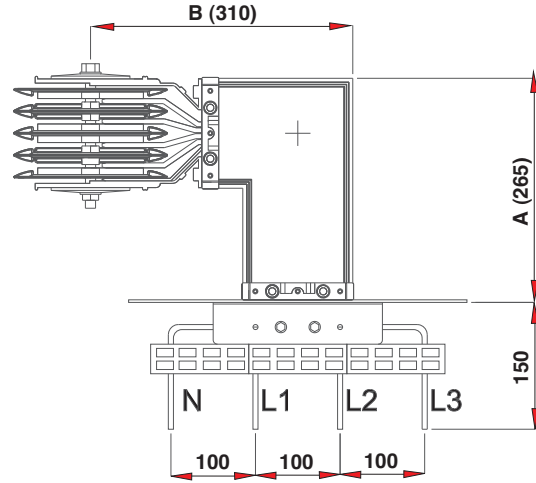
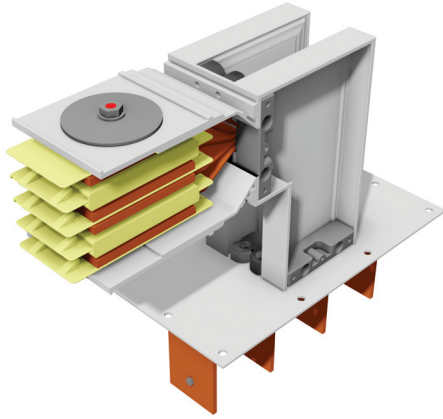
Downwards Panel Connection P13 3P+N+%50Pe

وصلة اللوحة السفلية 13P 50%+N+P3 قطعة

Downwards Panel Connection P13 (Cu) وصلة اللوحة السفلية 13P (نحاس)



Rated (A) مقدر (أمبير)	Length (mm) الطول (مم)		Order No رقم الطلب	Pcs. القطع	Weight (Kg) الوزن (كغم)
Aluminium (Al)	A (mm)	B (mm)			
0800	310	265	AS-H-AB 5550800P13	1 unit	10.00
1000	310	265	AS-H-AB 5551000P13	1 unit	13.00
1250	310	265	AS-H-AB 5551250P13	1 unit	15.00
1600	310	265	AS-H-AB 5551600P13	1 unit	17.00
2000	310	265	AS-H-AB 5552000P13	1 unit	22.00
2500	310	265	AS-H-AB 5552500P13	1 unit	34.00
3200	310	265	AS-H-AB 5553200P13	1 unit	40.00
4000	310	265	AS-H-AB 5554000P13	1 unit	51.00
5000	310	265	AS-H-AB 5555000P13	1 unit	88.00



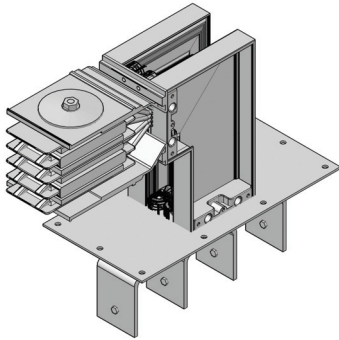
Upwards Panel Connection P14 3P+N+%50Pe

وصلة اللوحة العلوية 14P 50%+N+P3 قطعة

Upwards Panel Connection P14 (Cu)

وصلة اللوحة العلوية 14P (نحاس)

Rated (A) مقدر (أمبير)	Length (mm) الطول (مم)	Order No رقم الطلب	Pcs. القطع	Weight (Kg) الوزن (كغم)
Copper (Cu)				
	A (mm)	B (mm)		
0800	265	310	AS-H-CB 5550800P14	1 unit 17.00
1000	265	310	AS-H-CB 5551000P14	1 unit 22.00
1250	265	310	AS-H-CB 5551250P14	1 unit 27.00
1600	265	310	AS-H-CB 5551600P14	1 unit 33.00
2000	265	310	AS-H-CB 5552000P14	1 unit 39.00
2500	265	310	AS-H-CB 5552500P14	1 unit 51.00
3200	265	310	AS-H-CB 5553200P14	1 unit 76.00
4000	265	310	AS-H-CB 5554000P14	1 unit 90.00
5000	265	310	AS-H-CB 5555000P14	1 unit 118.00
6300	265	310	AS-H-CB 5556300P14	1 unit 192.00



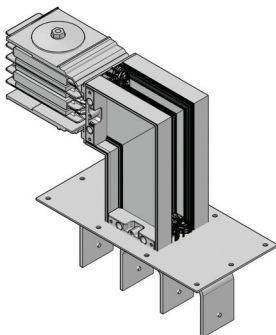
Upwards Panel Connection P14 3P+N+%50Pe

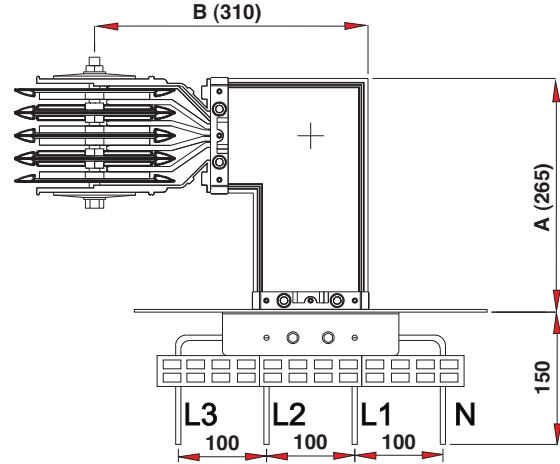
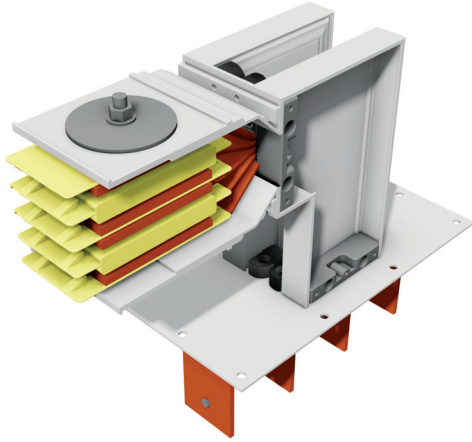
وصلة اللوحة العلوية 14P 50%+N+P3 قطعة

Upwards Panel Connection P14 (Al)

وصلة اللوحة العلوية 14P (ألومنيوم)

Rated (A) مقدر (أمبير)	Length (mm) الطول (مم)	Order No رقم الطلب	Pcs. القطع	Weight (Kg) الوزن (كغم)
Aluminium (Al)				
	A (mm)	B (mm)		
0800	265	310	AS-H-AB 5550800P14	1 unit 14.00
1000	265	310	AS-H-AB 5551000P14	1 unit 18.00
1250	265	310	AS-H-AB 5551250P14	1 unit 21.00
1600	265	310	AS-H-AB 5551600P14	1 unit 24.00
2000	265	310	AS-H-AB 5552000P14	1 unit 31.00
2500	265	310	AS-H-AB 5552500P14	1 unit 50.00
3200	265	310	AS-H-AB 5553200P14	1 unit 59.00
4000	265	310	AS-H-AB 5554000P14	1 unit 75.00
5000	265	310	AS-H-AB 5555000P14	1 unit 128.00



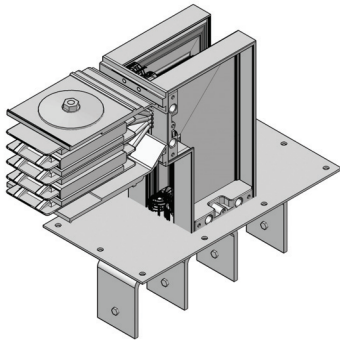


Downwards Panel Connection P15 3P+N+%50Pe

وصلة اللوحة السفلية 15P 50%+N+P3 قطعة

Downwards Panel Connection P15 (Cu)

وصلة اللوحة السفلية 15P (نحاس)



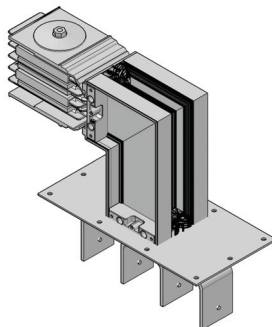
Rated (A) مقدر (أمبير)	Length (mm) الطول (مم)	Order No رقم الطلب	Pcs. القطع	Weight (Kg) الوزن (كغم)
Copper (Cu)	A (mm) B (mm)			
0800	265 310	AS-H-CB 5550800P15	1 unit	17.00
1000	265 310	AS-H-CB 5551000P15	1 unit	22.00
1250	265 310	AS-H-CB 5551250P15	1 unit	27.00
1600	265 310	AS-H-CB 5551600P15	1 unit	33.00
2000	265 310	AS-H-CB 5552000P15	1 unit	39.00
2500	265 310	AS-H-CB 5552500P15	1 unit	51.00
3200	265 310	AS-H-CB 5553200P15	1 unit	76.00
4000	265 310	AS-H-CB 5554000P15	1 unit	90.00
5000	265 310	AS-H-CB 5555000P15	1 unit	118.00
6300	265 310	AS-H-CB 5556300P15	1 unit	192.00

Downwards Panel Connection P15 3P+N+%50Pe

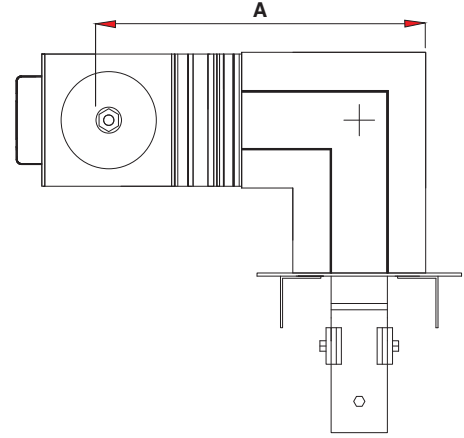
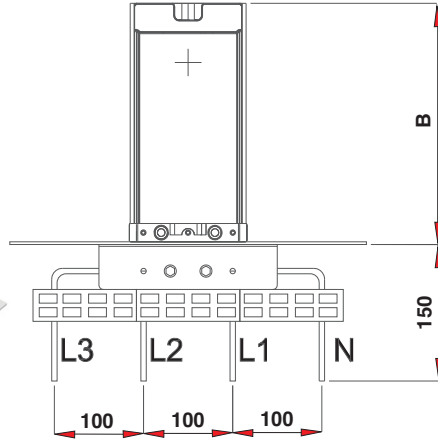
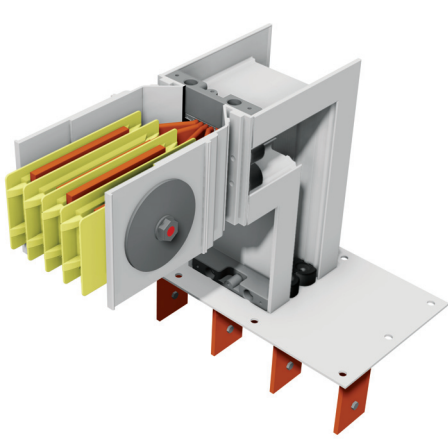
وصلة اللوحة السفلية 15P 50%+N+P3 قطعة

Downwards Panel Connection P15 (Al)

وصلة اللوحة السفلية 15P (نحاس)



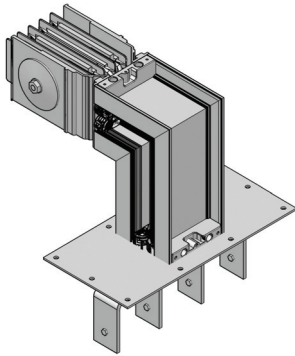
Rated (A) مقدر (أمبير)	Length (mm) الطول (مم)	Order No رقم الطلب	Pcs. القطع	Weight (Kg) الوزن (كغم)
Aluminium (Al)	A (mm) B (mm)			
0800	265 310	AS-H-AB 5550800P15	1 unit	14.00
1000	265 310	AS-H-AB 5551000P15	1 unit	18.00
1250	265 310	AS-H-AB 5551250P15	1 unit	21.00
1600	265 310	AS-H-AB 5551600P15	1 unit	24.00
2000	265 310	AS-H-AB 5552000P15	1 unit	31.00
2500	265 310	AS-H-AB 5552500P15	1 unit	50.00
3200	265 310	AS-H-AB 5553200P15	1 unit	59.00
4000	265 310	AS-H-AB 5554000P15	1 unit	75.00
5000	265 310	AS-H-AB 5555000P15	1 unit	128.00



Right Panel Connection P16 3P+N+50Pe

وصلة اللوحة اليمنى 16P 3P+N+50%قطة

Right Panel Connection P16 (Cu) وصلة اللوحة اليمنى 16P (نحاس)

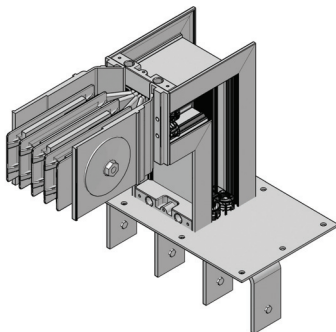


Rated (A) مقدر (أمبير)	Length (mm) الطول (مم)	Order No رقم الطلب	Pcs. القطع	Weight (Kg) الوزن (كغم)
Copper (Cu)	A (mm) B (mm)			
0800	310 185	AS-H-CB 5550800P16	1 unit	15.00
1000	330 205	AS-H-CB 5551000P16	1 unit	20.00
1250	355 230	AS-H-CB 5551250P16	1 unit	26.00
1600	380 255	AS-H-CB 5551600P16	1 unit	33.00
2000	405 280	AS-H-CB 5552000P16	1 unit	40.00
2500	455 330	AS-H-CB 5552500P16	1 unit	55.00
3200	580 455	AS-H-CB 5553200P16	1 unit	89.00
4000	630 505	AS-H-CB 5554000P16	1 unit	111.00
5000	730 605	AS-H-CB 5555000P16	1 unit	155.00
6300	1005 880	AS-H-CB 5556300P16	1 unit	294.00

Right Panel Connection P16 3P+N+50Pe

وصلة اللوحة اليمنى 16P 3P+N+50%قطة

Right Panel Connection P16 (Al) وصلة اللوحة اليمنى 16P (ألومنيوم)

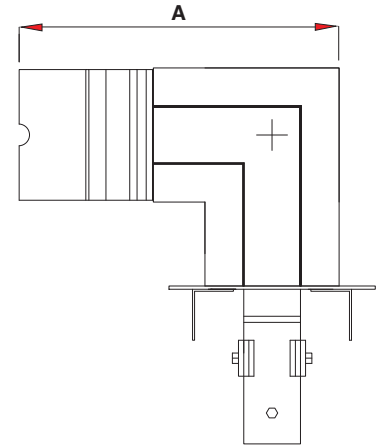
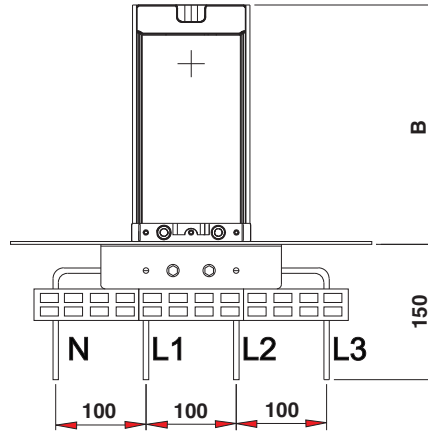
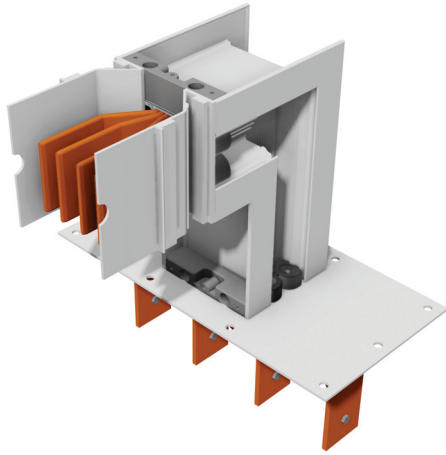


Rated (A) مقدر (أمبير)	Length (mm) الطول (مم)	Order No رقم الطلب	Pcs. القطع	Weight (Kg) الوزن (كغم)
Aluminium (Al)	A (mm) B (mm)			
0800	330 205	AS-H-AB 5550800P16	1 unit	14.00
1000	355 230	AS-H-AB 5551000P16	1 unit	17.00
1250	380 255	AS-H-AB 5551250P16	1 unit	21.00
1600	405 280	AS-H-AB 5551600P16	1 unit	25.00
2000	455 330	AS-H-AB 5552000P16	1 unit	32.00
2500	580 455	AS-H-AB 5552500P16	1 unit	56.00
3200	630 505	AS-H-AB 5553200P16	1 unit	68.00
4000	730 605	AS-H-AB 5554000P16	1 unit	90.00
5000	1005 880	AS-H-AB 5555000P16	1 unit	168.00

NEP Compact Busbar Trunking Systems

أنظمة توصيلات قضيب التوزيع المدمجة

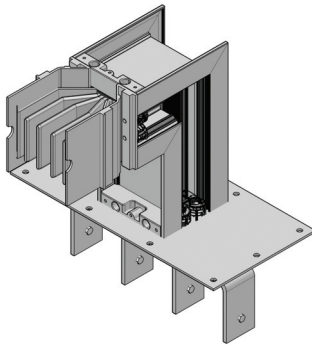
High Power
طاقة عالية



Left Panel Connection P17 3P+N+%50Pe

وصلة اللوحة 17P 3P+N+%50Pe قطعة

Left Panel Connection P17 (Cu) وصلة اللوحة اليسرى 17P (نحاس)

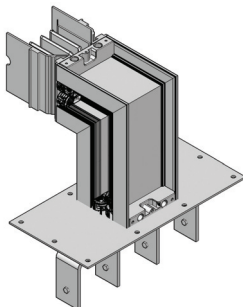


Rated (A) مقدر (أمبير)	Length (mm) الطول (مم)		Order No رقم الطلب	Pcs. القطع	Weight (Kg) الوزن (كغم)
Copper (Cu)	A (mm)	B (mm)			
0800	310	185	AS-H-CB 5550800P17	1 unit	12.00
1000	330	205	AS-H-CB 5551000P17	1 unit	16.00
1250	355	230	AS-H-CB 5551250P17	1 unit	21.00
1600	380	255	AS-H-CB 5551600P17	1 unit	27.00
2000	405	280	AS-H-CB 5552000P17	1 unit	33.00
2500	455	330	AS-H-CB 5552500P17	1 unit	46.00
3200	580	455	AS-H-CB 5553200P17	1 unit	73.00
4000	630	505	AS-H-CB 5554000P17	1 unit	92.00
5000	730	605	AS-H-CB 5555000P17	1 unit	131.00
6300	1005	880	AS-H-CB 5556300P17	1 unit	254.00

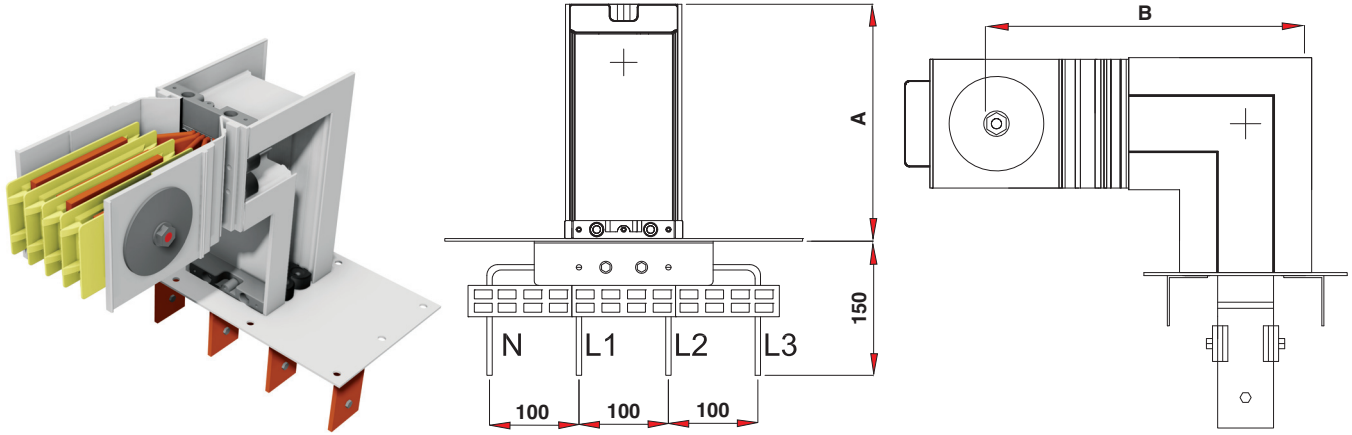
Left Panel Connection P17 3P+N+%50Pe

وصلة اللوحة 17P 3P+N+%50Pe قطعة

Left Panel Connection P17 (Al) وصلة اللوحة اليسرى 17P (ألومنيوم)



Rated (A) مقدر (أمبير)	Length (mm) الطول (مم)		Order No رقم الطلب	Pcs. القطع	Weight (Kg) الوزن (كغم)
Aluminium (Al)	A (mm)	B (mm)			
0800	330	205	AS-H-AB 5550800P17	1 unit	10.00
1000	355	230	AS-H-AB 5551000P17	1 unit	12.00
1250	380	255	AS-H-AB 5551250P17	1 unit	15.00
1600	405	280	AS-H-AB 5551600P17	1 unit	18.00
2000	455	330	AS-H-AB 5552000P17	1 unit	23.00
2500	580	455	AS-H-AB 5552500P17	1 unit	40.00
3200	630	505	AS-H-AB 5553200P17	1 unit	49.00
4000	730	605	AS-H-AB 5554000P17	1 unit	66.00
5000	1005	880	AS-H-AB 5555000P17	1 unit	128.00

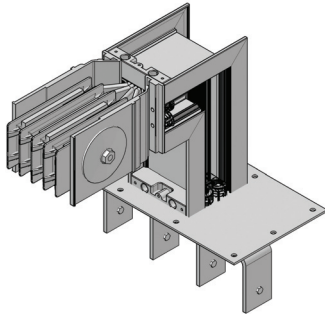


Right Panel Connection P18 3P+N+%50Pe

وصلة اللوحة اليمنى 18P 3P+N+%50Pe

Right Panel Connection P18 (Cu)

وصلة اللوحة اليمنى 18P (نحاس)



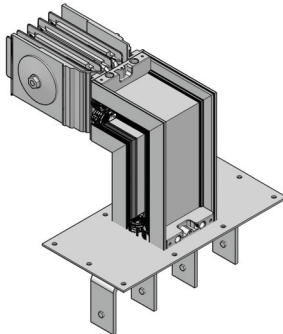
Rated (A) مقدر (أمبير)	Length (mm) الطول (مم)	Order No رقم الطلب	Pcs. القطع	Weight (Kg) الوزن (كغم)
Copper (Cu)				
	A (mm)	B (mm)		
0800	185	310	AS-H-CB 5550800P18	1 unit 15.00
1000	205	330	AS-H-CB 5551000P18	1 unit 20.00
1250	230	355	AS-H-CB 5551250P18	1 unit 26.00
1600	255	380	AS-H-CB 5551600P18	1 unit 33.00
2000	280	405	AS-H-CB 5552000P18	1 unit 40.00
2500	330	455	AS-H-CB 5552500P18	1 unit 55.00
3200	455	580	AS-H-CB 5553200P18	1 unit 89.00
4000	505	630	AS-H-CB 5554000P18	1 unit 111.00
5000	605	730	AS-H-CB 5555000P18	1 unit 155.00
6300	880	1005	AS-H-CB 5556300P18	1 unit 294.00

Right Panel Connection P18 3P+N+%50Pe

وصلة اللوحة اليمنى 18P 3P+N+%50Pe

Right Panel Connection P18 (Al)

وصلة اللوحة اليمنى 18P (ألومنيوم)

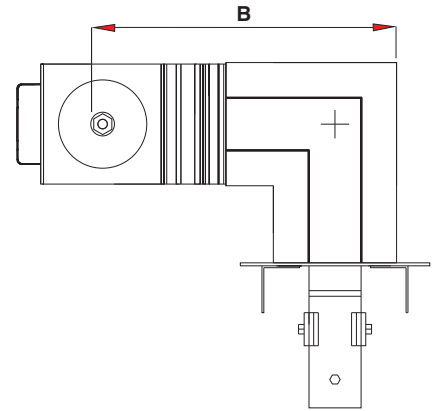
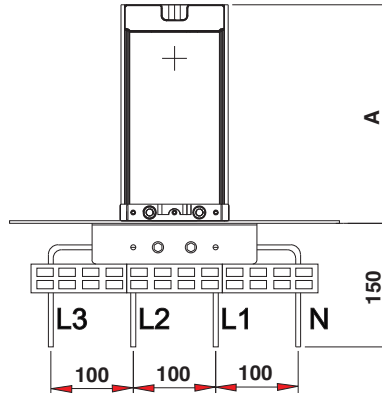
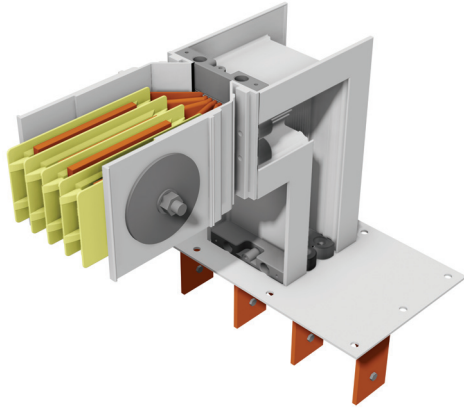


Rated (A) مقدر (أمبير)	Length (mm) الطول (مم)	Order No رقم الطلب	Pcs. القطع	Weight (Kg) الوزن (كغم)
Aluminium (Al)				
	A (mm)	B (mm)		
0800	205	330	AS-H-AB 5550800P18	1 unit 14.00
1000	230	355	AS-H-AB 5551000P18	1 unit 17.00
1250	255	380	AS-H-AB 5551250P18	1 unit 21.00
1600	280	405	AS-H-AB 5551600P18	1 unit 25.00
2000	330	455	AS-H-AB 5552000P18	1 unit 32.00
2500	455	580	AS-H-AB 5552500P18	1 unit 56.00
3200	505	630	AS-H-AB 5553200P18	1 unit 68.00
4000	605	730	AS-H-AB 5554000P18	1 unit 90.00
5000	880	1005	AS-H-AB 5555000P18	1 unit 168.00

NEP Compact Busbar Trunking Systems

أنظمة توصيلات قضيب التوزيع المدمجة

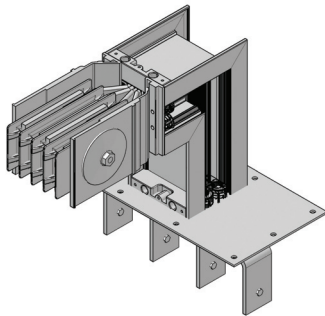
High Power
طاقة عالية



Left Panel Connection P19 3P+N+%50Pe

وصلة اللوحة 19P 50%+N+P3

Left Panel Connection P19 (Cu) وصلة اللوحة البسرى 19P (نحاس)

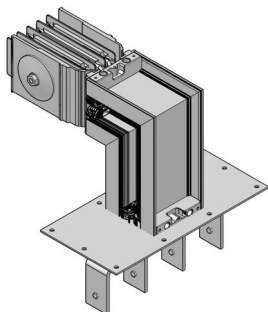


Rated (A) مقدر (أمبير)	Length (mm) الطول (مم)		Order No رقم الطلب	Pcs. القطع	Weight (Kg) الوزن (كغم)
	A (mm)	B (mm)			
Copper (Cu)					
0800	185	310	AS-H-CB 5550800P19	1 unit	12.00
1000	205	330	AS-H-CB 5551000P19	1 unit	16.00
1250	230	355	AS-H-CB 5551250P19	1 unit	21.00
1600	255	380	AS-H-CB 5551600P19	1 unit	27.00
2000	280	405	AS-H-CB 5552000P19	1 unit	33.00
2500	330	455	AS-H-CB 5552500P19	1 unit	46.00
3200	455	580	AS-H-CB 5553200P19	1 unit	73.00
4000	505	630	AS-H-CB 5554000P19	1 unit	92.00
5000	605	730	AS-H-CB 5555000P19	1 unit	131.00
6300	880	1005	AS-H-CB 5556300P19	1 unit	254.00

Left Panel Connection P19 3P+N+%50Pe

وصلة اللوحة 19P 50%+N+P3

Left Panel Connection P19 (Al) وصلة اللوحة البسرى 19P (نحاس)

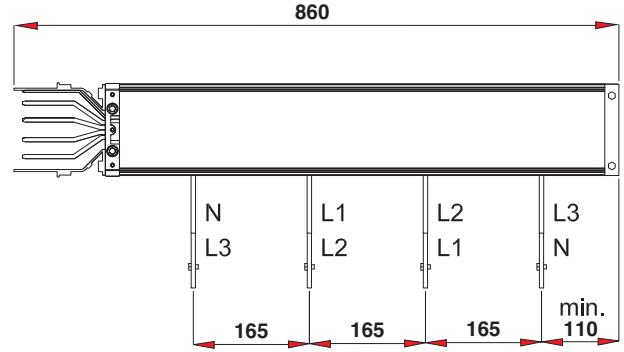


Rated (A) مقدر (أمبير)	Length (mm) الطول (مم)		Order No رقم الطلب	Pcs. القطع	Weight (Kg) الوزن (كغم)
	A (mm)	B (mm)			
Aluminium (Al)					
0800	205	330	AS-H-AB 5550800P19	1 unit	10.00
1000	230	355	AS-H-AB 5551000P19	1 unit	12.00
1250	255	380	AS-H-AB 5551250P19	1 unit	15.00
1600	280	405	AS-H-AB 5551600P19	1 unit	18.00
2000	330	455	AS-H-AB 5552000P19	1 unit	23.00
2500	455	580	AS-H-AB 5552500P19	1 unit	40.00
3200	505	630	AS-H-AB 5553200P19	1 unit	49.00
4000	605	730	AS-H-AB 5554000P19	1 unit	66.00
5000	880	1005	AS-H-AB 5555000P19	1 unit	128.00

NEP Compact Busbar Trunking Systems

أنظمة توصيلات قضيب التوزيع المدمجة

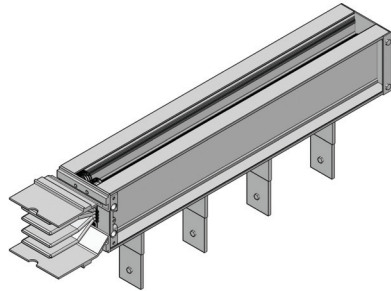
High Power
طاقة عالية



Panel Connection P20 3P+N+%50Pe

وصلة اللوحة 20P 50%+N+P3 قطعة

Panel Connection P20 وصلة اللوحة 20P

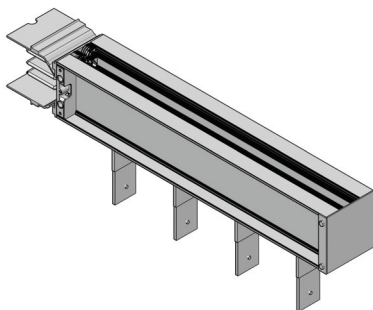


Rated (A) مقدر (أمبير)	Length (mm) الطول (مم)	Order No رقم الطلب	Pcs. القطع	Weight (Kg) الوزن (كغم)
Copper (Cu)				
0800	860	AS-H-CB 5550800P20	1 unit	22.00
1000	860	AS-H-CB 5551000P20	1 unit	29.00
1250	860	AS-H-CB 5551250P20	1 unit	37.00
1600	860	AS-H-CB 5551600P20	1 unit	45.00
2000	860	AS-H-CB 5552000P20	1 unit	54.00
2500	860	AS-H-CB 5552500P20	1 unit	70.00
3200	860	AS-H-CB 5553200P20	1 unit	99.00
4000	860	AS-H-CB 5554000P20	1 unit	117.00
5000	860	AS-H-CB 5555000P20	1 unit	153.00
6300	860	AS-H-CB 5556300P20	1 unit	243.00

Panel Connection P20 3P+N+%50Pe

وصلة اللوحة 20P 50%+N+P3 قطعة

Panel Connection P20 وصلة اللوحة 20P

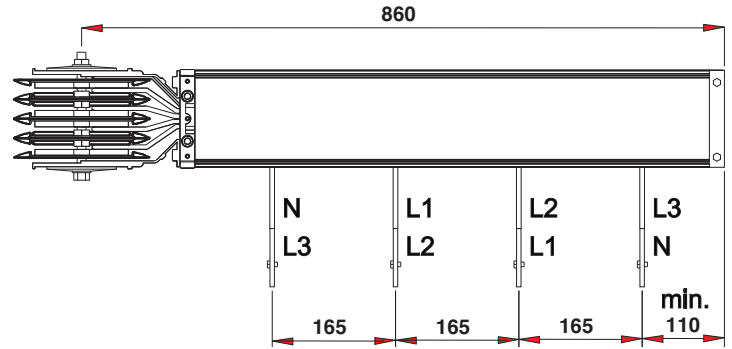
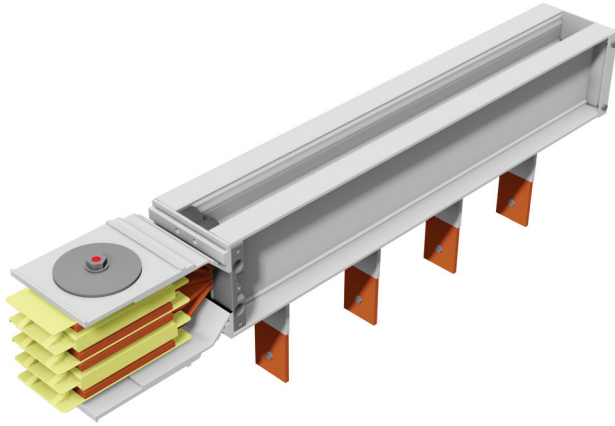


Rated (A) مقدر (أمبير)	Length (mm) الطول (مم)	Order No رقم الطلب	Pcs. القطع	Weight (Kg) الوزن (كغم)
Aluminium (Al)				
0800	860	AS-H-AB 5550800P20	1 unit	16.00
1000	860	AS-H-AB 5551000P20	1 unit	20.00
1250	860	AS-H-AB 5551250P20	1 unit	24.00
1600	860	AS-H-AB 5551600P20	1 unit	28.00
2000	860	AS-H-AB 5552000P20	1 unit	35.00
2500	860	AS-H-AB 5552500P20	1 unit	55.00
3200	860	AS-H-AB 5553200P20	1 unit	65.00
4000	860	AS-H-AB 5554000P20	1 unit	84.00
5000	860	AS-H-AB 5555000P20	1 unit	138.00

NEP Compact Busbar Trunking Systems

أنظمة توصيلات قضيب التوزيع المدمجة

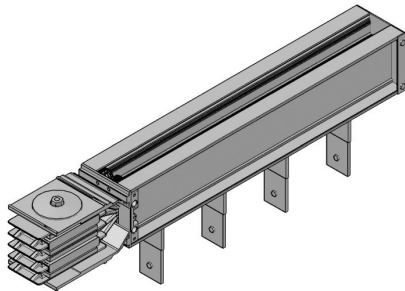
High Power
طاقة عالية



Panel Connection P21 3P+N+%50Pe

وصلة اللوحة 21P 50%+N+P3 قطعة

Panel Connection P21 وصلة اللوحة 21P

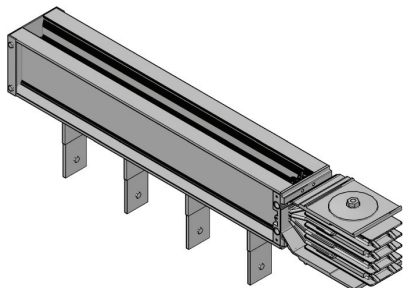


Rated (A) مقدراً (أمبير)	Length (mm) الطول (مم)	Order No رقم الطلب	Pcs. القطع	Weight (Kg) الوزن (كغم)
Copper (Cu)				
0800	860	AS-H-CB 5550800P21	1 unit	24.00
1000	860	AS-H-CB 5551000P21	1 unit	30.00
1250	860	AS-H-CB 5551250P21	1 unit	38.00
1600	860	AS-H-CB 5551600P21	1 unit	47.00
2000	860	AS-H-CB 5552000P21	1 unit	55.00
2500	860	AS-H-CB 5552500P21	1 unit	72.00
3200	860	AS-H-CB 5553200P21	1 unit	103.00
4000	860	AS-H-CB 5554000P21	1 unit	122.00
5000	860	AS-H-CB 5555000P21	1 unit	159.00
6300	860	AS-H-CB 5556300P21	1 unit	254.00

Panel Connection P21 3P+N+%50Pe

وصلة اللوحة 21P 50%+N+P3 قطعة

Panel Connection P21 وصلة اللوحة 21P

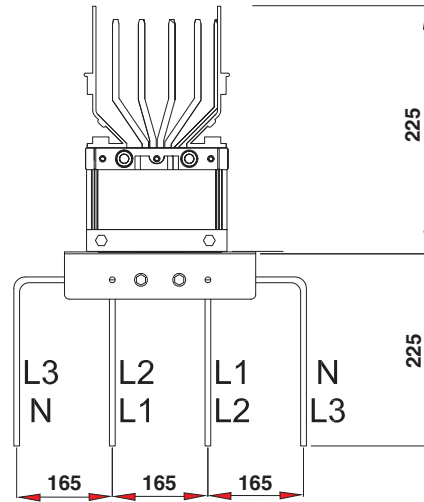
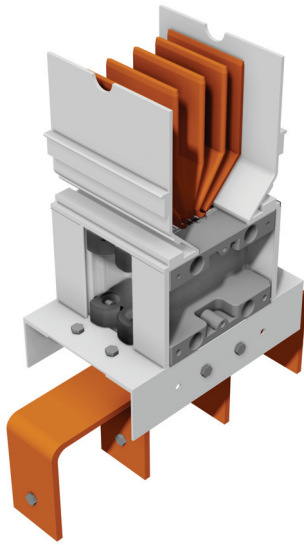


Rated (A) مقدراً (أمبير)	Length (mm) الطول (مم)	Order No رقم الطلب	Pcs. القطع	Weight (Kg) الوزن (كغم)
Aluminium (Al)				
0800	860	AS-H-AB 5550800P21	1 unit	17.00
1000	860	AS-H-AB 5551000P21	1 unit	21.00
1250	860	AS-H-AB 5551250P21	1 unit	25.00
1600	860	AS-H-AB 5551600P21	1 unit	29.00
2000	860	AS-H-AB 5552000P21	1 unit	37.00
2500	860	AS-H-AB 5552500P21	1 unit	59.00
3200	860	AS-H-AB 5553200P21	1 unit	70.00
4000	860	AS-H-AB 5554000P21	1 unit	89.00
5000	860	AS-H-AB 5555000P21	1 unit	150.00

NEP Compact Busbar Trunking Systems

أنظمة توصيلات قضيب التوزيع المدمجة

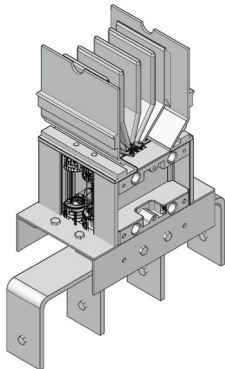
High Power
طاقة عالية



Transformer Connection T10 3P+N+%50Pe

وصلة المحول 10T 3P+N+%50Pe قطعة

Transformer Connection T10 (Cu) (وصلة المحول 10T نحاس)

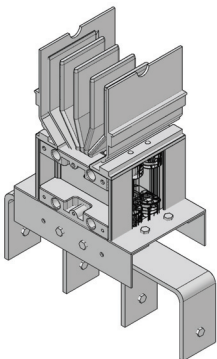


Rated (A) مقدراً (أمبير)	Length (mm) الطول (مم)	Order No رقم الطلب	Pcs. القطع	Weight (Kg) الوزن (كغم)
Copper (Cu)				
0800	225	AS-H-CB 5550800T10	1 unit	10.00
1000	225	AS-H-CB 5551000T10	1 unit	12.00
1250	225	AS-H-CB 5551250T10	1 unit	15.00
1600	225	AS-H-CB 5551600T10	1 unit	19.00
2000	225	AS-H-CB 5552000T10	1 unit	22.00
2500	225	AS-H-CB 5552500T10	1 unit	29.00
3200	225	AS-H-CB 5553200T10	1 unit	43.00
4000	225	AS-H-CB 5554000T10	1 unit	51.00
5000	225	AS-H-CB 5555000T10	1 unit	67.00
6300	225	AS-H-CB 5556300T10	1 unit	113.00

Transformer Connection T10 3P+N+%50Pe

وصلة المحول 10T 3P+N+%50Pe قطعة

Transformer Connection T10 (Al) (وصلة المحول 10T ألومنيوم)

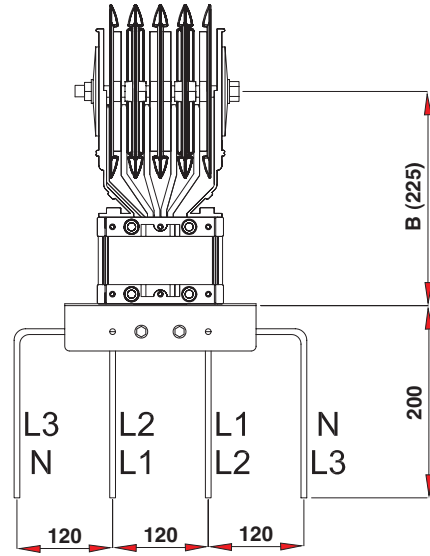
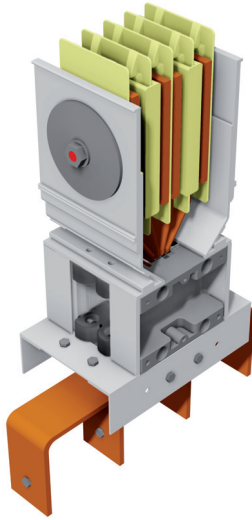


Rated (A) مقدراً (أمبير)	Length (mm) الطول (مم)	Order No رقم الطلب	Pcs. القطع	Weight (Kg) الوزن (كغم)
Aluminium (Al)				
0800	225	AS-H-AB 5550800T10	1 unit	8.00
1000	225	AS-H-AB 5551000T10	1 unit	10.00
1250	225	AS-H-AB 5551250T10	1 unit	12.00
1600	225	AS-H-AB 5551600T10	1 unit	14.00
2000	225	AS-H-AB 5552000T10	1 unit	17.00
2500	225	AS-H-AB 5552500T10	1 unit	27.00
3200	225	AS-H-AB 5553200T10	1 unit	32.00
4000	225	AS-H-AB 5554000T10	1 unit	41.00
5000	225	AS-H-AB 5555000T10	1 unit	73.00

NEP Compact Busbar Trunking Systems

أنظمة توصيلات قضيب التوزيع المدمجة

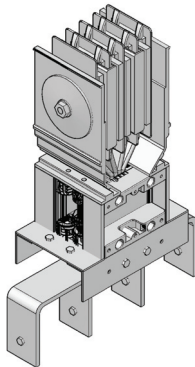
High Power
طاقة عالية



Transformer Connection T11 3P+N+%50Pe

وصلة المحول 11T 3P+N+%50Pe قطعة

Transformer Connection T11 (Cu) وصلة المحول 11T (نحاس)

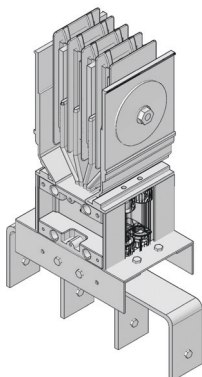


Rated (A) مقدّر (أمبير)	Length (mm) الطول (مم)	Order No رقم الطلب	Pcs. القطع	Weight (Kg) الوزن (كغم)
Copper (Cu) A (mm)				
0800	225	AS-H-CB 5550800T11	1 unit	13.00
1000	225	AS-H-CB 5551000T11	1 unit	16.00
1250	225	AS-H-CB 5551250T11	1 unit	20.00
1600	225	AS-H-CB 5551600T11	1 unit	25.00
2000	225	AS-H-CB 5552000T11	1 unit	29.00
2500	225	AS-H-CB 5552500T11	1 unit	38.00
3200	225	AS-H-CB 5553200T11	1 unit	59.00
4000	225	AS-H-CB 5554000T11	1 unit	70.00
5000	225	AS-H-CB 5555000T11	1 unit	91.00
6300	225	AS-H-CB 5556300T11	1 unit	153.00

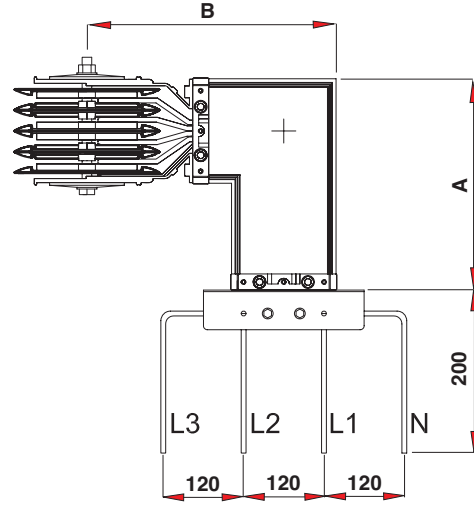
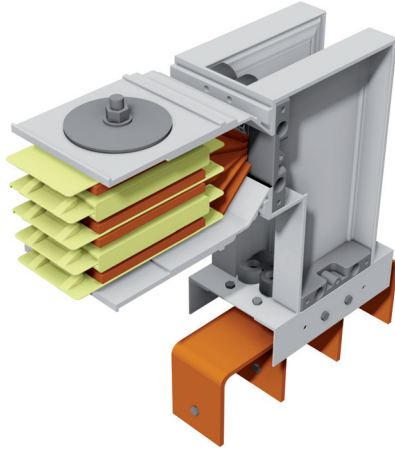
Transformer Connection T11 3P+N+%50Pe

وصلة المحول 11T 3P+N+%50Pe قطعة

Transformer Connection T11 (Al) وصلة المحول 11T (ألومنيوم)



Rated (A) مقدّر (أمبير)	Length (mm) الطول (مم)	Order No رقم الطلب	Pcs. القطع	Weight (Kg) الوزن (كغم)
Aluminium (Al) A (mm)				
0800	225	AS-H-AB 5550800T11	1 unit	12.00
1000	225	AS-H-AB 5551000T11	1 unit	15.00
1250	225	AS-H-AB 5551250T11	1 unit	17.00
1600	225	AS-H-AB 5551600T11	1 unit	20.00
2000	225	AS-H-AB 5552000T11	1 unit	26.00
2500	225	AS-H-AB 5552500T11	1 unit	43.00
3200	225	AS-H-AB 5553200T11	1 unit	51.00
4000	225	AS-H-AB 5554000T11	1 unit	65.00
5000	225	AS-H-AB 5555000T11	1 unit	113.00

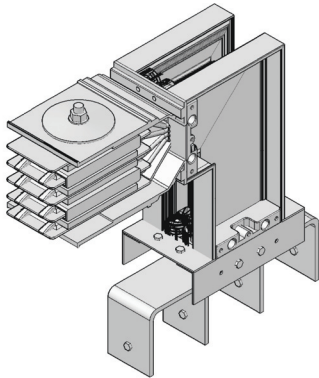


Upwards Transformer Connection T12 3P+N+%50Pe

وصلة محول علوي 12T 50%N+P3

Upwards Transformer Connection T12 (Cu)

وصلة المحول العلوية 12T (نحاس)



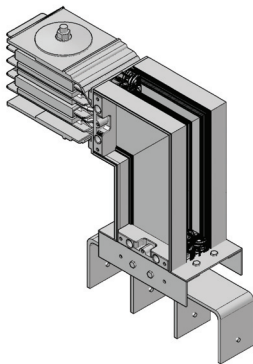
Rated (A) مقدر (أمبير)	Length (mm) الطول (مم)		Order No رقم الطلب	Pcs. القطع	Weight (Kg) الوزن (كغم)
Copper (Cu)	A (mm)	B (mm)			
0800	265	310	AS-H-CB 5550800T12	1 unit	17.00
1000	265	310	AS-H-CB 5551000T12	1 unit	22.00
1250	265	310	AS-H-CB 5551250T12	1 unit	27.00
1600	265	310	AS-H-CB 5551600T12	1 unit	33.00
2000	265	310	AS-H-CB 5552000T12	1 unit	39.00
2500	265	310	AS-H-CB 5552500T12	1 unit	51.00
3200	265	310	AS-H-CB 5553200T12	1 unit	76.00
4000	265	310	AS-H-CB 5554000T12	1 unit	90.00
5000	265	310	AS-H-CB 5555000T12	1 unit	118.00
6300	265	310	AS-H-CB 5556300T12	1 unit	192.00

Upwards Transformer Connection T12 3P+N+%50Pe

وصلة محول علوي 12T 50%N+P3

Upwards Transformer Connection T12 (Al)

وصلة المحول العلوية 12T (الومنيوم)

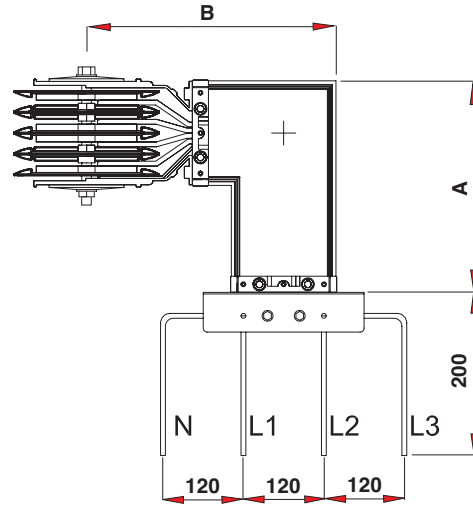
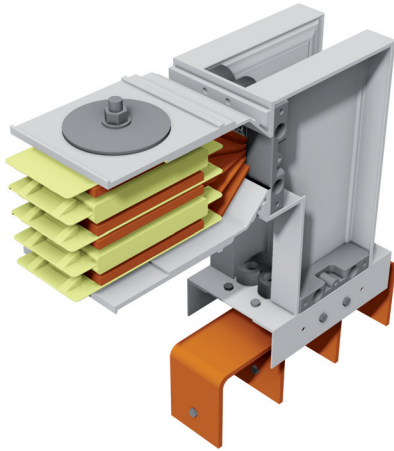


Rated (A) مقدر (أمبير)	Length (mm) الطول (مم)		Order No رقم الطلب	Pcs. القطع	Weight (Kg) الوزن (كغم)
Aluminium (Al)	A (mm)	B (mm)			
0800	265	310	AS-H-AB 5550800T12	1 unit	14.00
1000	265	310	AS-H-AB 5551000T12	1 unit	18.00
1250	265	310	AS-H-AB 5551250T12	1 unit	21.00
1600	265	310	AS-H-AB 5551600T12	1 unit	24.00
2000	265	310	AS-H-AB 5552000T12	1 unit	31.00
2500	265	310	AS-H-AB 5552500T12	1 unit	50.00
3200	265	310	AS-H-AB 5553200T12	1 unit	59.00
4000	265	310	AS-H-AB 5554000T12	1 unit	75.00
5000	265	310	AS-H-AB 5555000T12	1 unit	128.00

NEP Compact Busbar Trunking Systems

أنظمة توصيلات قضيب التوزيع المدمجة

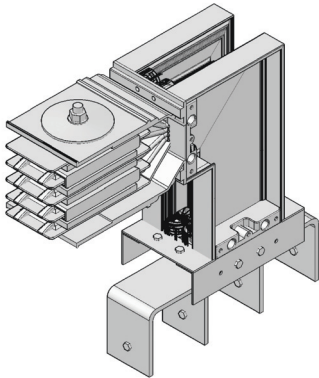
High Power
طاقة عالية



Downwards Transformer Connection T13 3P+N+%50Pe

وصلة المحول السفلية 13T 50%+N+P3

Downwards Transformer Connection T13 (Cu) وصلة المحول السفلية 13T (نحاس)

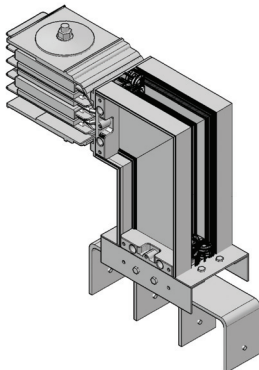


Rated (A) مقدر (أمبير)	Length (mm) الطول (مم)		Order No رقم الطلب	Pcs. القطع	Weight (Kg) الوزن (كغم)
Copper (Cu)	A (mm)	B (mm)			
0800	265	310	AS-H-CB 5550800T13	1 unit	17.00
1000	265	310	AS-H-CB 5551000T13	1 unit	22.00
1250	265	310	AS-H-CB 5551250T13	1 unit	27.00
1600	265	310	AS-H-CB 5551600T13	1 unit	33.00
2000	265	310	AS-H-CB 5552000T13	1 unit	39.00
2500	265	310	AS-H-CB 5552500T13	1 unit	51.00
3200	265	310	AS-H-CB 5553200T13	1 unit	76.00
4000	265	310	AS-H-CB 5554000T13	1 unit	90.00
5000	265	310	AS-H-CB 5555000T13	1 unit	118.00
6300	265	310	AS-H-CB 5556300T13	1 unit	192.00

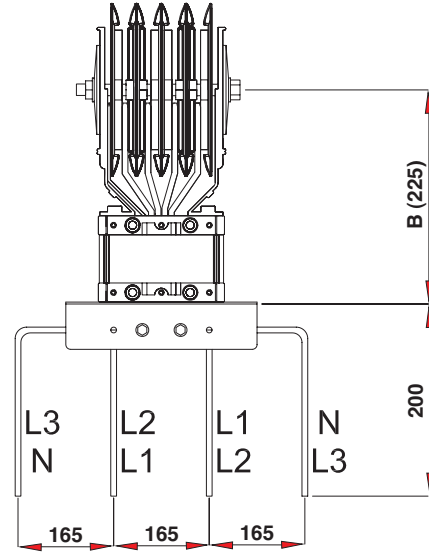
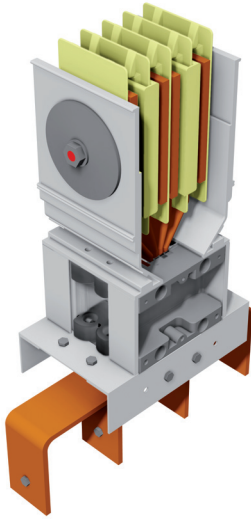
Downwards Transformer Connection T13 3P+N+%50Pe

وصلة المحول السفلية 13T 50%+N+P3

Downwards Transformer Connection T13 (Al) وصلة المحول السفلية 13T (ألومنيوم)



Rated (A) مقدر (أمبير)	Length (mm) الطول (مم)		Order No رقم الطلب	Pcs. القطع	Weight (Kg) الوزن (كغم)
Aluminium (Al)	A (mm)	B (mm)			
0800	265	310	AS-H-AB 5550800T13	1 unit	14.00
1000	265	310	AS-H-AB 5551000T13	1 unit	18.00
1250	265	310	AS-H-AB 5551250T13	1 unit	21.00
1600	265	310	AS-H-AB 5551600T13	1 unit	24.00
2000	265	310	AS-H-AB 5552000T13	1 unit	31.00
2500	265	310	AS-H-AB 5552500T13	1 unit	50.00
3200	265	310	AS-H-AB 5553200T13	1 unit	59.00
4000	265	310	AS-H-AB 5554000T13	1 unit	75.00
5000	265	310	AS-H-AB 5555000T13	1 unit	128.00

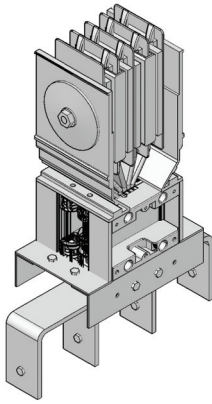


Transformer Connection T14 3P+N+%50Pe

وصلة المحول 14T 50%+N+P3 قطعة

Transformer Connection T14 (Cu)

وصلة المحول 14T (نحاس)



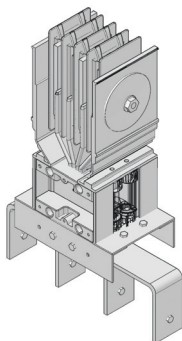
Rated (A) مقدراً (أمبير)	Length (mm) الطول (مم)	Order No رقم الطلب	Pcs. القطع	Weight (Kg) الوزن (كغم)
Copper (Cu)		A (mm)		
0800	225	AS-H-CB 5550800T14	1 unit	13.00
1000	225	AS-H-CB 5551000T14	1 unit	16.00
1250	225	AS-H-CB 5551250T14	1 unit	20.00
1600	225	AS-H-CB 5551600T14	1 unit	25.00
2000	225	AS-H-CB 5552000T14	1 unit	29.00
2500	225	AS-H-CB 5552500T14	1 unit	38.00
3200	225	AS-H-CB 5553200T14	1 unit	59.00
4000	225	AS-H-CB 5554000T14	1 unit	70.00
5000	225	AS-H-CB 5555000T14	1 unit	91.00
6300	225	AS-H-CB 5556300T14	1 unit	153.00

Transformer Connection T14 3P+N+%50Pe

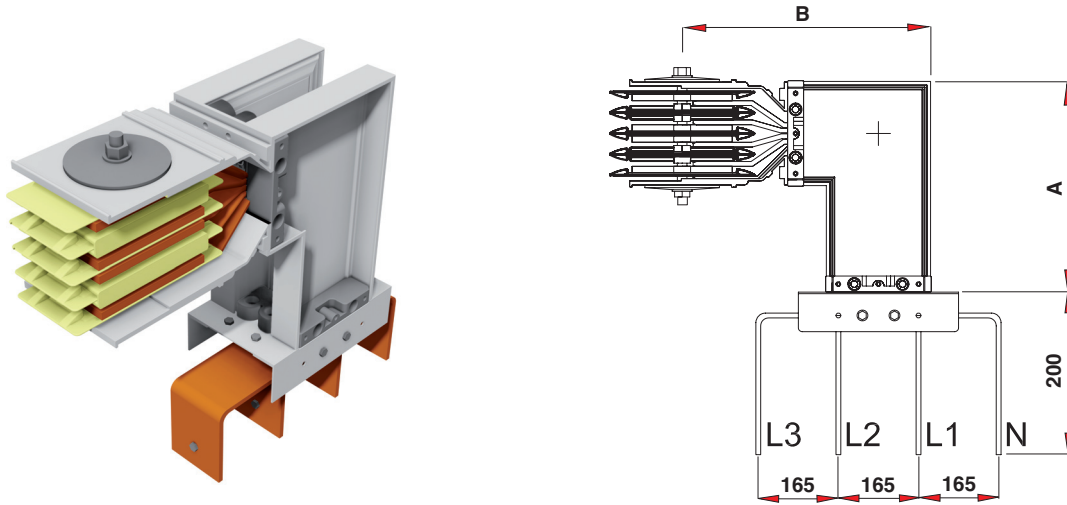
وصلة المحول 14T 50%+N+P3 قطعة

Transformer Connection T14 (Al)

وصلة المحول 14T (ألومنيوم)



Rated (A) مقدراً (أمبير)	Length (mm) الطول (مم)	Order No رقم الطلب	Pcs. القطع	Weight (Kg) الوزن (كغم)
Aluminium (Al)		A (mm)		
0800	225	AS-H-AB 5550800T14	1 unit	12.00
1000	225	AS-H-AB 5551000T14	1 unit	15.00
1250	225	AS-H-AB 5551250T14	1 unit	17.00
1600	225	AS-H-AB 5551600T14	1 unit	20.00
2000	225	AS-H-AB 5552000T14	1 unit	26.00
2500	225	AS-H-AB 5552500T14	1 unit	43.00
3200	225	AS-H-AB 5553200T14	1 unit	51.00
4000	225	AS-H-AB 5554000T14	1 unit	65.00
5000	225	AS-H-AB 5555000T14	1 unit	113.00

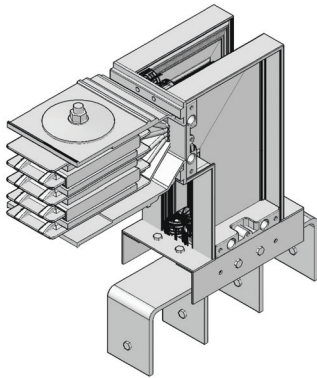


Downwards Transformer Connection T15 3P+N+%50Pe

وصلة المحول السفلية 15T 50%+N+P3 قطعة

Downwards Transformer Connection T15 (Cu)

وصلة المحول السفلية 15T (نحاس)



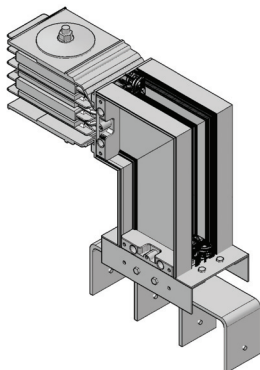
Rated (A) مقدر (أمبير)	Length (mm) الطول (مم)		Order No رقم الطلب	Pcs. القطع	Weight (Kg) الوزن (كغم)
Copper (Cu)	A (mm)	B (mm)			
0800	265	310	AS-H-CB 5550800T15	1 unit	17.00
1000	265	310	AS-H-CB 5551000T15	1 unit	22.00
1250	265	310	AS-H-CB 5551250T15	1 unit	28.00
1600	265	310	AS-H-CB 5551600T15	1 unit	34.00
2000	265	310	AS-H-CB 5552000T15	1 unit	41.00
2500	265	310	AS-H-CB 5552500T15	1 unit	53.00
3200	265	310	AS-H-CB 5553200T15	1 unit	78.00
4000	265	310	AS-H-CB 5554000T15	1 unit	93.00
5000	265	310	AS-H-CB 5555000T15	1 unit	121.00
6300	265	310	AS-H-CB 5556300T15	1 unit	198.00

Downwards Transformer Connection T15 3P+N+%50Pe

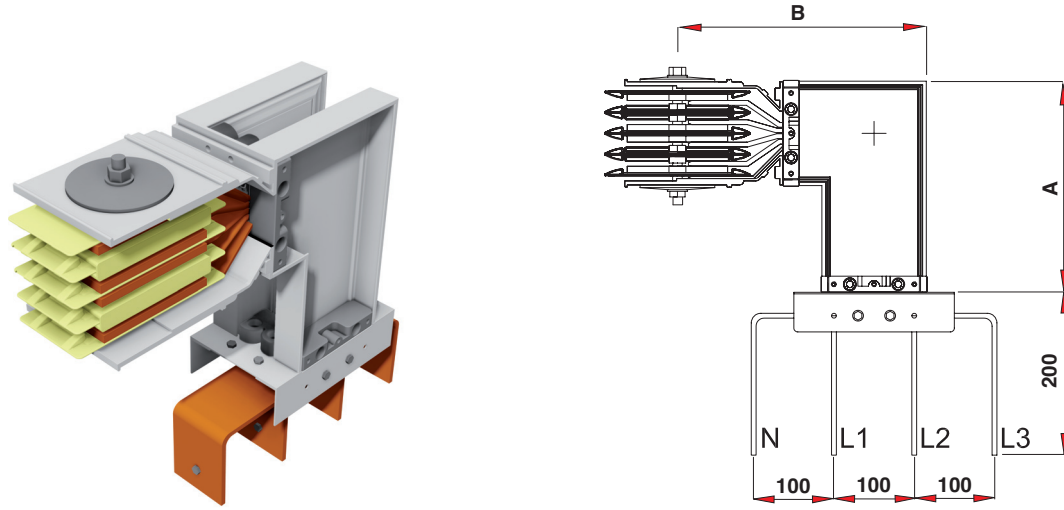
وصلة المحول السفلية 15T 50%+N+P3 قطعة

Downwards Transformer Connection T15 (Al)

وصلة المحول السفلية 15T (الومنيوم)



Rated (A) مقدر (أمبير)	Length (mm) الطول (مم)		Order No رقم الطلب	Pcs. القطع	Weight (Kg) الوزن (كغم)
Aluminium (Al)	A (mm)	B (mm)			
0800	265	310	AS-H-AB 5550800T15	1 unit	14.00
1000	265	310	AS-H-AB 5551000T15	1 unit	18.00
1250	265	310	AS-H-AB 5551250T15	1 unit	21.00
1600	265	310	AS-H-AB 5551600T15	1 unit	24.00
2000	265	310	AS-H-AB 5552000T15	1 unit	31.00
2500	265	310	AS-H-AB 5552500T15	1 unit	50.00
3200	265	310	AS-H-AB 5553200T15	1 unit	59.00
4000	265	310	AS-H-AB 5554000T15	1 unit	75.00
5000	265	310	AS-H-AB 5555000T15	1 unit	128.00

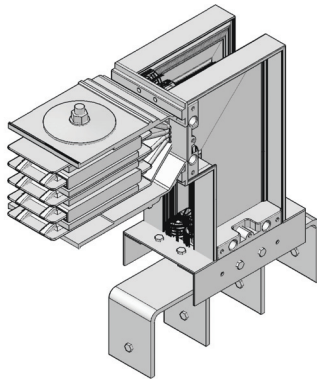


Downwards Transformer Connection T16 3P+N+%50Pe

وصلة المحول السفلية 16T 50%+N+P3 قطعة

Downwards Transformer Connection T16 (Cu)

وصلة المحول السفلية 16T (نحاس)



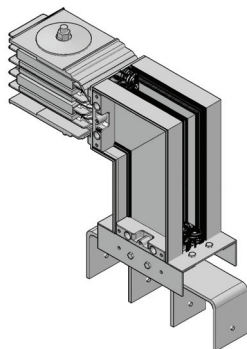
Rated (A) مقدر (أمبير)	Length (mm) الطول (مم)		Order No رقم الطلب	Pcs. القطع	Weight (Kg) الوزن (كغم)
Copper (Cu)	A (mm)	B (mm)			
0800	265	310	AS-H-CB 5550800T16	1 unit	17.00
1000	265	310	AS-H-CB 5551000T16	1 unit	22.00
1250	265	310	AS-H-CB 5551250T16	1 unit	28.00
1600	265	310	AS-H-CB 5551600T16	1 unit	34.00
2000	265	310	AS-H-CB 5552000T16	1 unit	41.00
2500	265	310	AS-H-CB 5552500T16	1 unit	53.00
3200	265	310	AS-H-CB 5553200T16	1 unit	78.00
4000	265	310	AS-H-CB 5554000T16	1 unit	93.00
5000	265	310	AS-H-CB 5555000T16	1 unit	121.00
6300	265	310	AS-H-CB 5556300T16	1 unit	198.00

Downwards Transformer Connection T16 3P+N+%50Pe

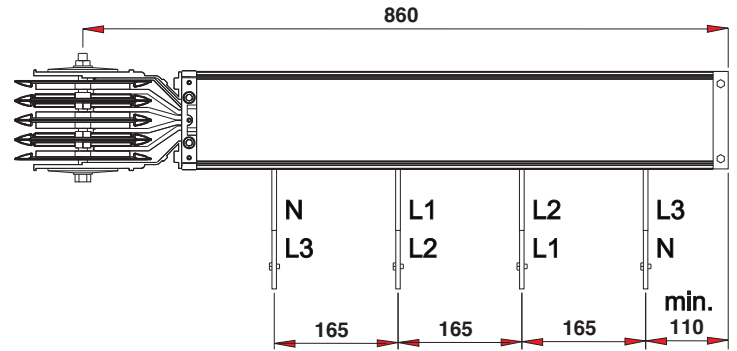
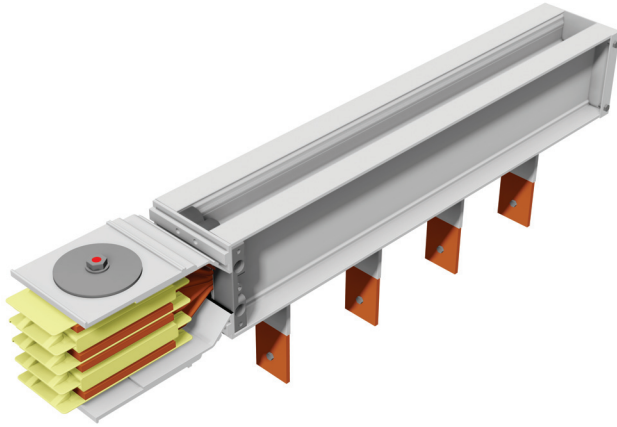
وصلة المحول السفلية 16T 50%+N+P3 قطعة

Downwards Transformer Connection T16 (Al)

وصلة المحول السفلية 16T (ألومنيوم)



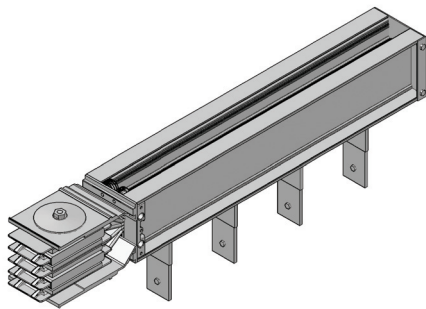
Rated (A) مقدر (أمبير)	Length (mm) الطول (مم)		Order No رقم الطلب	Pcs. القطع	Weight (Kg) الوزن (كغم)
Aluminium (Al)	A (mm)	B (mm)			
0800	265	310	AS-H-AB 5550800T16	1 unit	14.00
1000	265	310	AS-H-AB 5551000T16	1 unit	18.00
1250	265	310	AS-H-AB 5551250T16	1 unit	21.00
1600	265	310	AS-H-AB 5551600T16	1 unit	24.00
2000	265	310	AS-H-AB 5552000T16	1 unit	31.00
2500	265	310	AS-H-AB 5552500T16	1 unit	50.00
3200	265	310	AS-H-AB 5553200T16	1 unit	59.00
4000	265	310	AS-H-AB 5554000T16	1 unit	75.00
5000	265	310	AS-H-AB 5555000T16	1 unit	128.00



Dry Type Transformer Connection T17 3P+N+%50Pe

وصلة المحول من النوع الجاف 17T 50%+N+P3 قطعة

Dry Type Transformer Connection T17 وصلة المحول من النوع الجاف 17T

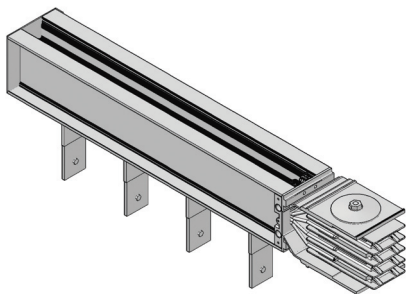


Rated (A) مقدر (أمبير)	Length (mm) الطول (مم)	Order No رقم الطلب	Pcs. القطع	Weight (Kg) الوزن (كغم)
Copper (Cu)				
0800	860	AS-H-CB 5550800T17	1 unit	24.00
1000	860	AS-H-CB 5551000T17	1 unit	30.00
1250	860	AS-H-CB 5551250T17	1 unit	38.00
1600	860	AS-H-CB 5551600T17	1 unit	47.00
2000	860	AS-H-CB 5552000T17	1 unit	55.00
2500	860	AS-H-CB 5552500T17	1 unit	72.00
3200	860	AS-H-CB 5553200T17	1 unit	103.00
4000	860	AS-H-CB 5554000T17	1 unit	122.00
5000	860	AS-H-CB 5555000T17	1 unit	159.00
6300	860	AS-H-CB 5556300T17	1 unit	254.00

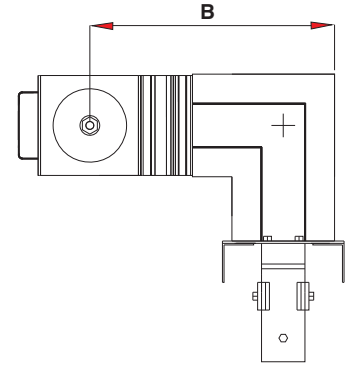
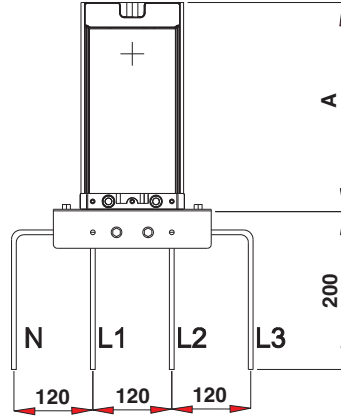
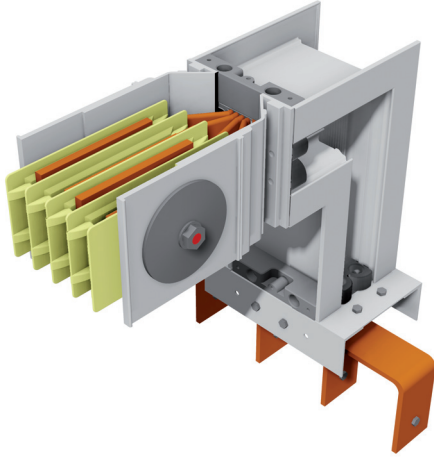
Dry Type Transformer Connection T17 3P+N+%50Pe

وصلة المحول من النوع الجاف 17T 50%+N+P3 قطعة

Dry Type Transformer Connection T17 وصلة المحول من النوع الجاف 17T



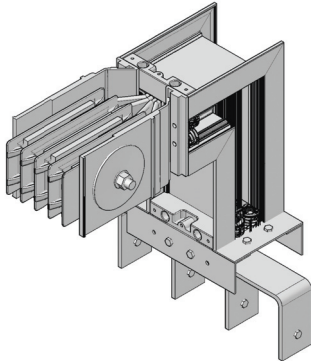
Rated (A) مقدر (أمبير)	Length (mm) الطول (مم)	Order No رقم الطلب	Pcs. القطع	Weight (Kg) الوزن (كغم)
Aluminium (Al)				
0800	860	AS-H-AB 5550800T17	1 unit	17.00
1000	860	AS-H-AB 5551000T17	1 unit	21.00
1250	860	AS-H-AB 5551250T17	1 unit	25.00
1600	860	AS-H-AB 5551600T17	1 unit	29.00
2000	860	AS-H-AB 5552000T17	1 unit	37.00
2500	860	AS-H-AB 5552500T17	1 unit	59.00
3200	860	AS-H-AB 5553200T17	1 unit	70.00
4000	860	AS-H-AB 5554000T17	1 unit	89.00
5000	860	AS-H-AB 5555000T17	1 unit	150.00



Right Transformer Connection T18 3P+N+%50Pe

وصلة المحول اليمين 18T 50%+N+P3 قطعة

Right Transformer Connection T18 (Cu) وصلة المحول اليمين 18T (نحاس)

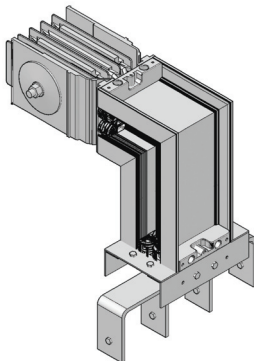


Rated (A) مقدر (أمبير)	Length (mm) الطول (مم)	Order No رقم الطلب	Pcs. القطع	Weight (Kg) الوزن (كغم)
Copper (Cu)		A (mm)	B (mm)	
0800	185	310	AS-H-CB 5550800T18	1 unit 16.00
1000	205	330	AS-H-CB 5551000T18	1 unit 21.00
1250	230	355	AS-H-CB 5551250T18	1 unit 27.00
1600	255	380	AS-H-CB 5551600T18	1 unit 33.00
2000	280	405	AS-H-CB 5552000T18	1 unit 41.00
2500	330	455	AS-H-CB 5552500T18	1 unit 57.00
3200	455	580	AS-H-CB 5553200T18	1 unit 91.00
4000	505	630	AS-H-CB 5554000T18	1 unit 112.00
5000	605	730	AS-H-CB 5555000T18	1 unit 157.00
6300	880	1005	AS-H-CB 5556300T18	1 unit 2970.00

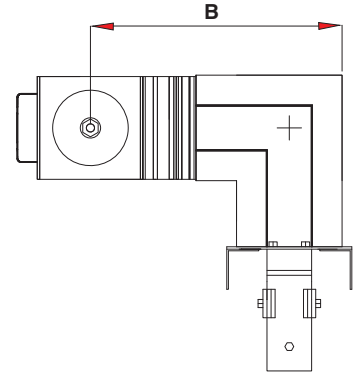
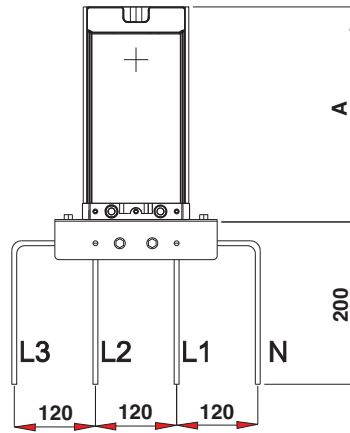
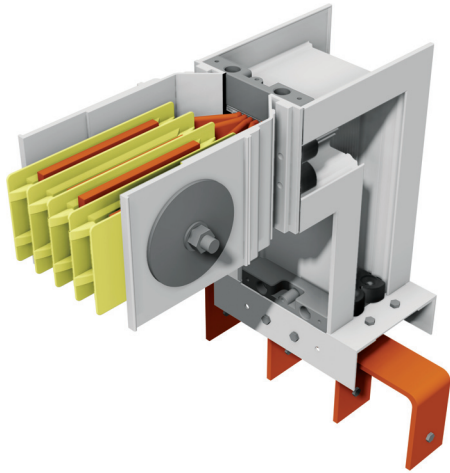
Right Transformer Connection T18 3P+N+%50Pe

وصلة المحول اليمين 18T 50%+N+P3 قطعة

Right Transformer Connection T18 (Al) وصلة المحول اليمين 18T (ألومنيوم)



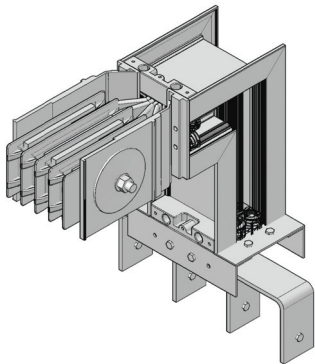
Rated (A) مقدر (أمبير)	Length (mm) الطول (مم)	Order No رقم الطلب	Pcs. القطع	Weight (Kg) الوزن (كغم)
Aluminium (Al)		A (mm)	B (mm)	
0800	205	330	AS-H-AB 5550800T18	1 unit 15.00
1000	230	355	AS-H-AB 5551000T18	1 unit 18.00
1250	255	380	AS-H-AB 5551250T18	1 unit 22.00
1600	280	405	AS-H-AB 5551600T18	1 unit 26.00
2000	330	455	AS-H-AB 5552000T18	1 unit 32.00
2500	455	580	AS-H-AB 5552500T18	1 unit 57.00
3200	505	630	AS-H-AB 5553200T18	1 unit 69.00
4000	605	730	AS-H-AB 5554000T18	1 unit 92.00
5000	880	1005	AS-H-AB 5555000T18	1 unit 171.00



Left Transformer Connection T19 3P+N+%50Pe

وصلة المحول الأيسر 19T 50%+N+P3 قطعة

Left Transformer Connection T19 (Cu) (وصلة المحول الأيسر 19T نحاس)

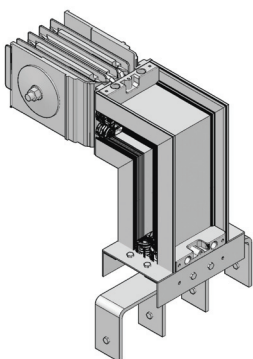


Rated (A) مقدار (أمبير)	Length (mm) الطول (مم)		Order No رقم الطلب	Pcs. القطع	Weight (Kg) الوزن (كغم)
Copper (Cu)	A (mm)	B (mm)			
0800	185	310	AS-H-CB 5550800T19	1 unit	16.00
1000	205	330	AS-H-CB 5551000T19	1 unit	21.00
1250	230	355	AS-H-CB 5551250T19	1 unit	27.00
1600	255	380	AS-H-CB 5551600T19	1 unit	33.00
2000	280	405	AS-H-CB 5552000T19	1 unit	41.00
2500	330	455	AS-H-CB 5552500T19	1 unit	57.00
3200	455	580	AS-H-CB 5553200T19	1 unit	91.00
4000	505	630	AS-H-CB 5554000T19	1 unit	112.00
5000	605	730	AS-H-CB 5555000T19	1 unit	157.00
6300	880	1005	AS-H-CB 5556300T19	1 unit	2970.00

Left Transformer Connection T19 3P+N+%50Pe

وصلة المحول الأيسر 19T 50%+N+P3 قطعة

Left Transformer Connection T19 (Al) (وصلة المحول الأيسر 19T ألومنيوم)

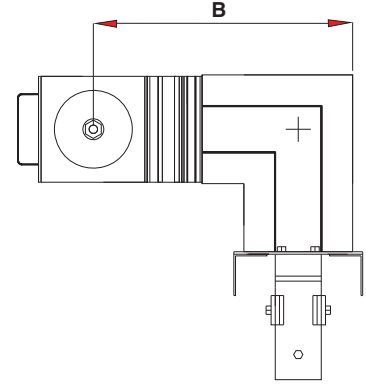
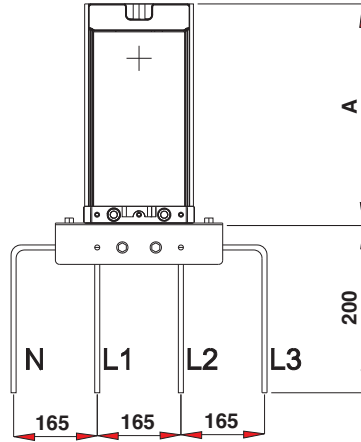
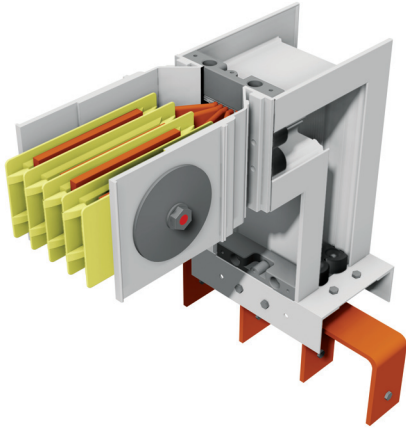


Rated (A) مقدار (أمبير)	Length (mm) الطول (مم)		Order No رقم الطلب	Pcs. القطع	Weight (Kg) الوزن (كغم)
Aluminium (Al)	A (mm)	B (mm)			
0800	205	330	AS-H-AB 5550800T19	1 unit	15.00
1000	230	355	AS-H-AB 5551000T19	1 unit	18.00
1250	255	380	AS-H-AB 5551250T19	1 unit	22.00
1600	280	405	AS-H-AB 5551600T19	1 unit	26.00
2000	330	455	AS-H-AB 5552000T19	1 unit	32.00
2500	455	580	AS-H-AB 5552500T19	1 unit	57.00
3200	505	630	AS-H-AB 5553200T19	1 unit	69.00
4000	605	730	AS-H-AB 5554000T19	1 unit	92.00
5000	880	1005	AS-H-AB 5555000T19	1 unit	171.00

NEP Compact Busbar Trunking Systems

أنظمة توصيلات قضيب التوزيع المدمجة

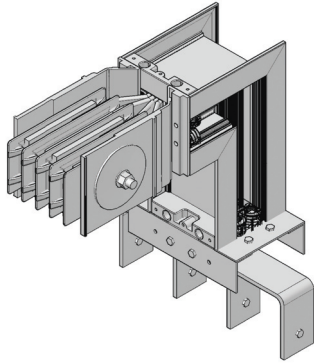
High Power
طاقة عالية



Right Transformer Connection T20 3P+N+%50Pe

وصلة المحول اليميني 20T 3P+N+%50Pe قطعة

Right Transformer Connection T20 (Cu) وصلة المحول اليميني 20T (نحاس)

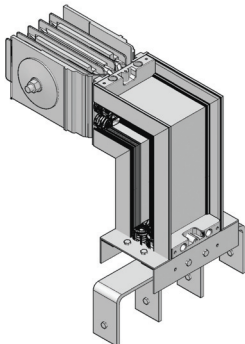


Rated (A) مقدر (أمبير)	Length (mm) الطول (مم)		Order No رقم الطلب	Pcs. القطع	Weight (Kg) الوزن (كغم)
Copper (Cu)	A (mm)	B (mm)			
0800	185	310	AS-H-CB 5550800T20	1 unit	16.00
1000	205	330	AS-H-CB 5551000T20	1 unit	21.00
1250	230	355	AS-H-CB 5551250T20	1 unit	28.00
1600	255	380	AS-H-CB 5551600T20	1 unit	35.00
2000	280	405	AS-H-CB 5552000T20	1 unit	42.00
2500	330	455	AS-H-CB 5552500T20	1 unit	58.00
3200	455	580	AS-H-CB 5553200T20	1 unit	93.00
4000	505	630	AS-H-CB 5554000T20	1 unit	115.00
5000	605	730	AS-H-CB 5555000T20	1 unit	163.00
6300	880	1005	AS-H-CB 5556300T20	1 unit	303.00

Right Transformer Connection T20 3P+N+%50Pe

وصلة المحول اليميني 20T 3P+N+%50Pe قطعة

Right Transformer Connection T20 (Al)

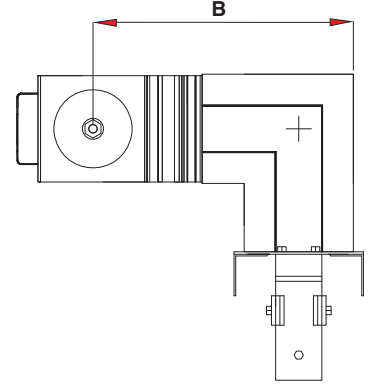
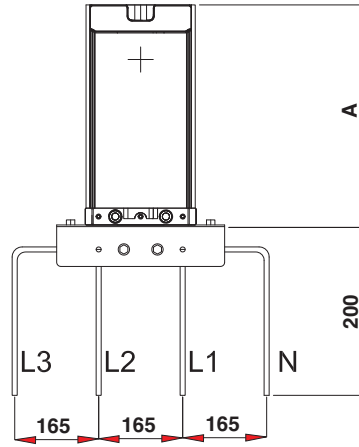
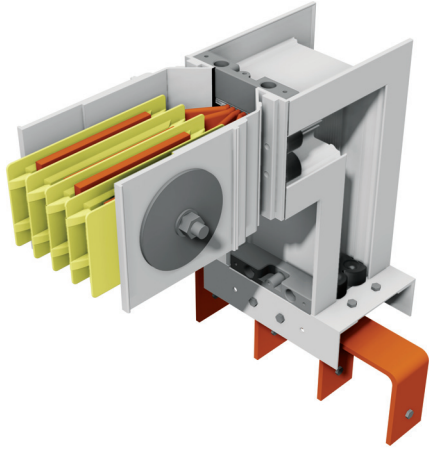


Rated (A) مقدر (أمبير)	Length (mm) الطول (مم)		Order No رقم الطلب	Pcs. القطع	Weight (Kg) الوزن (كغم)
Aluminium (Al)	A (mm)	B (mm)			
0800	205	330	AS-H-AB 5550800T20	1 unit	15.00
1000	230	355	AS-H-AB 5551000T20	1 unit	18.00
1250	255	380	AS-H-AB 5551250T20	1 unit	23.00
1600	280	405	AS-H-AB 5551600T20	1 unit	27.00
2000	330	455	AS-H-AB 5552000T20	1 unit	34.00
2500	455	580	AS-H-AB 5552500T20	1 unit	58.00
3200	505	630	AS-H-AB 5553200T20	1 unit	70.00
4000	605	730	AS-H-AB 5554000T20	1 unit	98.00
5000	880	1005	AS-H-AB 5555000T20	1 unit	175.00

NEP Compact Busbar Trunking Systems

أنظمة توصيلات قضيب التوزيع المدمجة

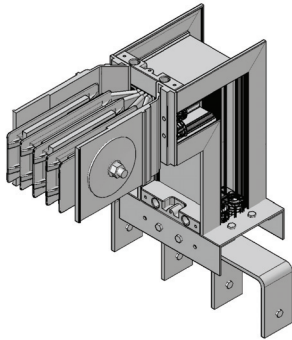
High Power
طاقة عالية



Left Transformer Connection T21 3P+N+50Pe

وصلة المحول الأيسر 21T 50%+N+P3 قطعة

Left Transformer Connection T21 (Cu)

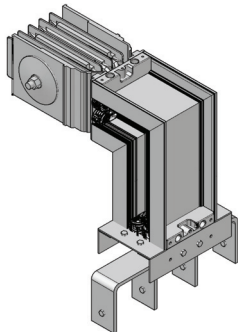


Rated (A) مقدر (أمبير)	Length (mm) الطول (مم)	Order No رقم الطلب	Pcs. القطع	Weight (Kg) الوزن (كغم)
Copper (Cu)	A (mm) B (mm)			
0800	185 310	AS-H-CB 5550800T21	1 unit	16.00
1000	205 330	AS-H-CB 5551000T21	1 unit	21.00
1250	230 355	AS-H-CB 5551250T21	1 unit	28.00
1600	255 380	AS-H-CB 5551600T21	1 unit	35.00
2000	280 405	AS-H-CB 5552000T21	1 unit	42.00
2500	330 455	AS-H-CB 5552500T21	1 unit	58.00
3200	455 580	AS-H-CB 5553200T21	1 unit	93.00
4000	505 630	AS-H-CB 5554000T21	1 unit	115.00
5000	605 730	AS-H-CB 5555000T21	1 unit	163.00
6300	880 1005	AS-H-CB 5556300T21	1 unit	303.00

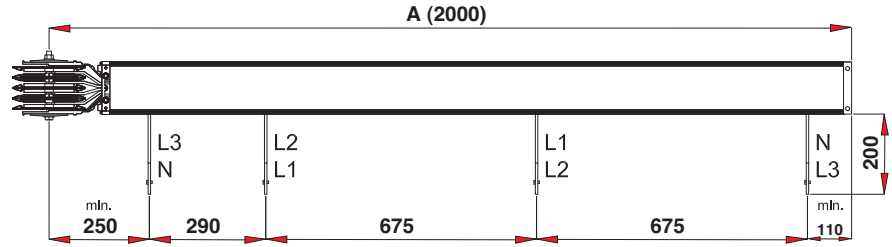
Left Transformer Connection T21 3P+N+50Pe

وصلة المحول الأيسر 21T 50%+N+P3 قطعة

Left Transformer Connection T21 (Al) وصلة المحول الأيسر 21T (نحاس)



Rated (A) مقدر (أمبير)	Length (mm) الطول (مم)	Order No رقم الطلب	Pcs. القطع	Weight (Kg) الوزن (كغم)
Aluminium (Al)	A (mm) B (mm)			
0800	205 330	AS-H-AB 5550800T21	1 unit	15.00
1000	230 355	AS-H-AB 5551000T21	1 unit	18.00
1250	255 380	AS-H-AB 5551250T21	1 unit	23.00
1600	280 405	AS-H-AB 5551600T21	1 unit	27.00
2000	330 455	AS-H-AB 5552000T21	1 unit	34.00
2500	455 580	AS-H-AB 5552500T21	1 unit	58.00
3200	505 630	AS-H-AB 5553200T21	1 unit	70.00
4000	605 730	AS-H-AB 5554000T21	1 unit	98.00
5000	880 1005	AS-H-AB 5555000T21	1 unit	175.00



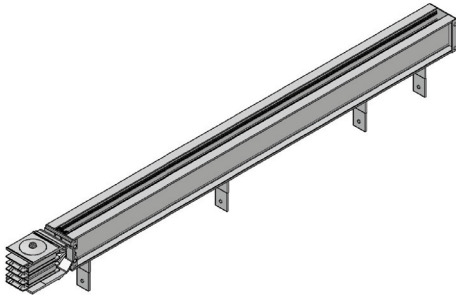
Dry Type Transformer Connection T22 3P+N+%50Pe

وصلة المحول من النوع الجاف 22T 3P+N+%50Pe قطعة

Dry Type Transformer Connection T22 (Cu)

وصلة المحول من النوع الجاف 22T (نحاس)

Rated (A) مقدر (أمبير)	Length (mm) الطول (مم)	Order No رقم الطلب	Pcs. القطع	Weight (Kg) الوزن (كغم)
Copper (Cu) A (mm)				
0800	2000	AS-H-CB 5550800T22	1 unit	44.00
1000	2000	AS-H-CB 5551000T22	1 unit	56.00
1250	2000	AS-H-CB 5551250T22	1 unit	72.00
1600	2000	AS-H-CB 5551600T22	1 unit	88.00
2000	2000	AS-H-CB 5552000T22	1 unit	104.00
2500	2000	AS-H-CB 5552500T22	1 unit	135.00
3200	2000	AS-H-CB 5553200T22	1 unit	185.00
4000	2000	AS-H-CB 5554000T22	1 unit	219.00
5000	2000	AS-H-CB 5555000T22	1 unit	285.00
6300	2000	AS-H-CB 5556300T22	1 unit	443.00



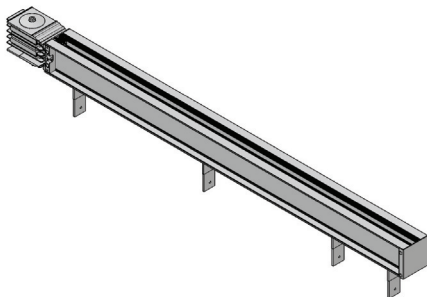
Dry Type Transformer Connection T22 3P+N+%50Pe

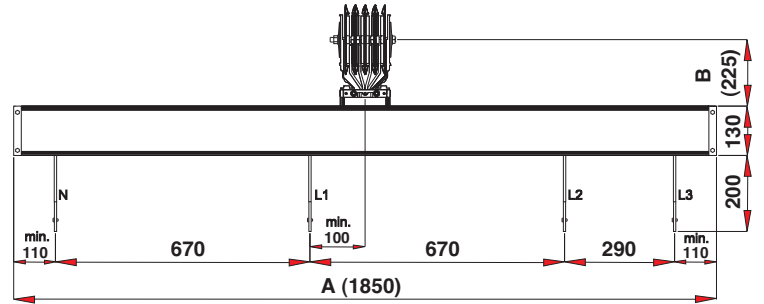
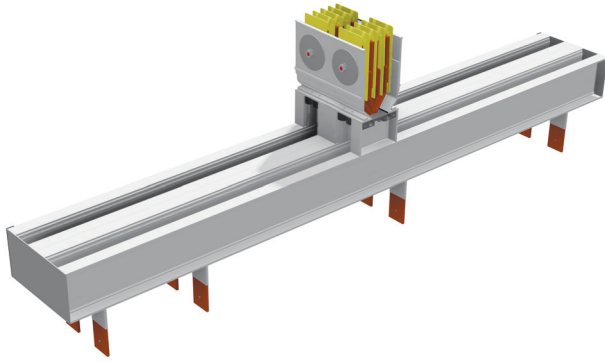
وصلة المحول من النوع الجاف 22T 3P+N+%50Pe قطعة

Dry Type Transformer Connection T22 (Al)

وصلة المحول من النوع الجاف 22T (ألومنيوم)

Rated (A) مقدر (أمبير)	Length (mm) الطول (مم)	Order No رقم الطلب	Pcs. القطع	Weight (Kg) الوزن (كغم)
Aluminium (Al) A (mm)				
0800	2000	AS-H-AB 5550800T22	1 unit	29.00
1000	2000	AS-H-AB 5551000T22	1 unit	36.00
1250	2000	AS-H-AB 5551250T22	1 unit	42.00
1600	2000	AS-H-AB 5551600T22	1 unit	49.00
2000	2000	AS-H-AB 5552000T22	1 unit	62.00
2500	2000	AS-H-AB 5552500T22	1 unit	94.00
3200	2000	AS-H-AB 5553200T22	1 unit	109.00
4000	2000	AS-H-AB 5554000T22	1 unit	140.00
5000	2000	AS-H-AB 5555000T22	1 unit	225.00

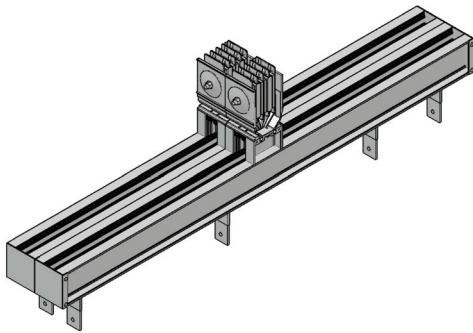




Center Dry Type Transformer Connection T23 3P+N+%50Pe

وصلة المحول الوسطى من النوع الجاف 23T 50%+N+P3

Center Dry Type Transformer Connection T23 (Cu) وصلة المحول الوسطى من النوع الجاف 23T (نحاس)

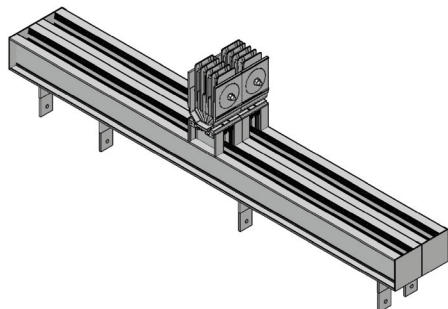


Rated (A) مقدراً (أمبير)	Length (mm) الطول (مم)	Order No رقم الطلب	Pcs. القطع	Weight (Kg) الوزن (كغم)
Copper (Cu) A (mm) B (mm)				
0800	1850 225	AS-H-CB 5550800T23	1 unit	44.00
1000	1850 225	AS-H-CB 5551000T23	1 unit	57.00
1250	1850 225	AS-H-CB 5551250T23	1 unit	73.00
1600	1850 225	AS-H-CB 5551600T23	1 unit	89.00
2000	1850 225	AS-H-CB 5552000T23	1 unit	105.00
2500	1850 225	AS-H-CB 5552500T23	1 unit	137.00
3200	1850 225	AS-H-CB 5553200T23	1 unit	188.00
4000	1850 225	AS-H-CB 5554000T23	1 unit	222.00
5000	1850 225	AS-H-CB 5555000T23	1 unit	290.00
6300	1850 225	AS-H-CB 5556300T23	1 unit	451.00

Center Transformer Connection T23 3P+N+%50Pe

وصلة المحول الوسطى 23T 50%+N+P3

Center Dry Type Transformer Connection T23 (Al) وصلة المحول الوسطى من النوع الجاف 23T (ألومنيوم)

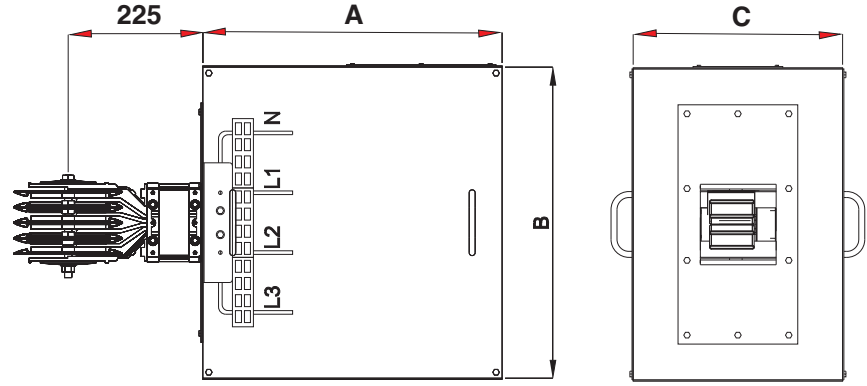
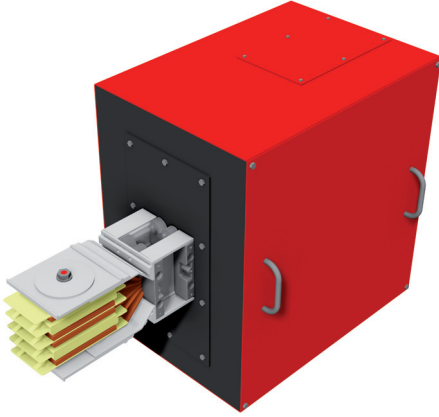


Rated (A) مقدراً (أمبير)	Length (mm) الطول (مم)	Order No رقم الطلب	Pcs. القطع	Weight (Kg) الوزن (كغم)
Aluminium (Al) A (mm) B (mm)				
0800	1850 225	AS-H-AB 5550800T23	1 unit	29.00
1000	1850 225	AS-H-AB 5551000T23	1 unit	36.00
1250	1850 225	AS-H-AB 5551250T23	1 unit	43.00
1600	1850 225	AS-H-AB 5551600T23	1 unit	50.00
2000	1850 225	AS-H-AB 5552000T23	1 unit	63.00
2500	1850 225	AS-H-AB 5552500T23	1 unit	95.00
3200	1850 225	AS-H-AB 5553200T23	1 unit	110.00
4000	1850 225	AS-H-AB 5554000T23	1 unit	141.00
5000	1850 225	AS-H-AB 5555000T23	1 unit	227.00

NEP Compact Busbar Trunking Systems

أنظمة توصيلات قضيب التوزيع المدمجة

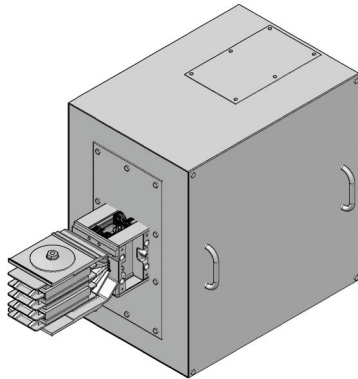
High Power
طاقة عالية



Right Feed Unit 3P+N+%50Pe

وحدة التغذية اليمنى 50%+N+P3 قطعة

Right Feed Unit (Cu) وحدة التغذية اليمنى (نحاس)

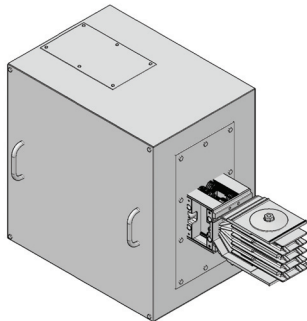


Rated (A) مقدر (أمبير)	Length (mm) الطول (مم)			Order No رقم الطلب	Pcs. القطع	Weight (Kg) الوزن (كغم)
Copper (Cu)	A (mm)	B (mm)	C (mm)			
0800	500	550	405	AS-H-CB 5550800RFU	1 unit	23.00
1000	500	550	405	AS-H-CB 5551000RFU	1 unit	26.00
1250	500	550	405	AS-H-CB 5551250RFU	1 unit	30.00
1600	500	550	405	AS-H-CB 5551600RFU	1 unit	35.00
2000	700	550	755	AS-H-CB 5552000RFU	1 unit	44.00
2500	700	550	755	AS-H-CB 5552500RFU	1 unit	53.00
3200	700	550	1005	AS-H-CB 5553200RFU	1 unit	79.00
4000	700	550	1005	AS-H-CB 5554000RFU	1 unit	90.00
5000	700	550	1005	AS-H-CB 5555000RFU	1 unit	111.00
6300	850	650	1305	AS-H-CB 5556300RFU	1 unit	178.00

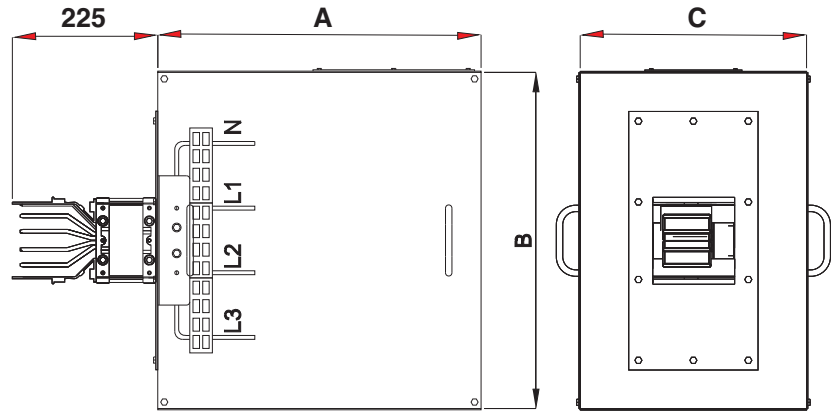
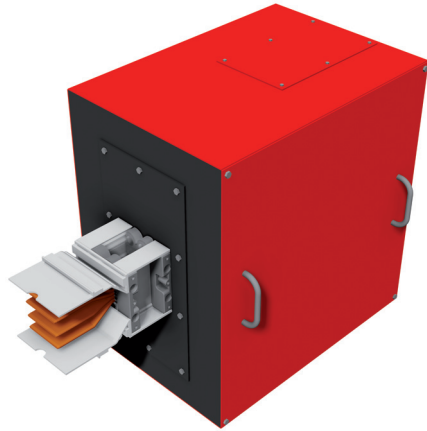
Right Feed Unit 3P+N+%50Pe

وحدة التغذية اليمنى 50%+N+P3 قطعة

Right Feed Unit (Al) وحدة التغذية اليمنى (ألومنيوم)



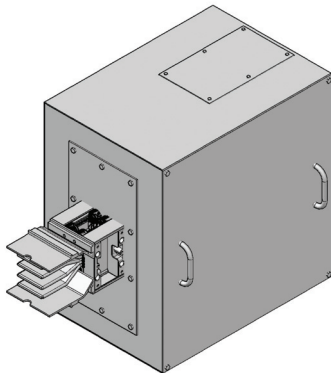
Rated (A) مقدر (أمبير)	Length (mm) الطول (مم)			Order No رقم الطلب	Pcs. القطع	Weight (Kg) الوزن (كغم)
Aluminium (Al)	A (mm)	B (mm)	C (mm)			
0800	500	550	405	AS-H-AB 5550800RFU	1 unit	21.00
1000	500	550	405	AS-H-AB 5551000RFU	1 unit	23.00
1250	500	550	405	AS-H-AB 5551250RFU	1 unit	26.00
1600	700	550	755	AS-H-AB 5551600RFU	1 unit	33.00
2000	700	550	755	AS-H-AB 5552000RFU	1 unit	39.00
2500	700	550	1005	AS-H-AB 5552500RFU	1 unit	61.00
3200	700	550	1005	AS-H-AB 5553200RFU	1 unit	68.00
4000	700	550	1005	AS-H-AB 5554000RFU	1 unit	82.00
5000	850	650	1305	AS-H-AB 5555000RFU	1 unit	134.00



Left Feed Unit 3P+N+%50Pe

وحدة التغذية اليسرى Pe50%+N+P3 قطعة

Left Feed Unit (Cu) وحدة التغذية اليسرى (نحاس)

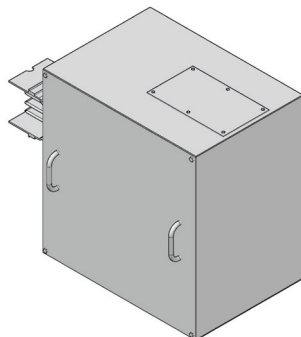


Rated (A) مقدر (أمبير)	Length (mm) الطول (مم)			Order No رقم الطلب	Pcs. القطع	Weight (Kg) الوزن (كغم)
Copper (Cu)	A (mm)	B (mm)	C (mm)			
0800	500	550	405	AS-H-CB 5550800LFU	1 unit	22.00
1000	500	550	405	AS-H-CB 5551000LFU	1 unit	25.00
1250	500	550	405	AS-H-CB 5551250LFU	1 unit	29.00
1600	500	550	405	AS-H-CB 5551600LFU	1 unit	33.00
2000	700	550	755	AS-H-CB 5552000LFU	1 unit	43.00
2500	700	550	755	AS-H-CB 5552500LFU	1 unit	51.00
3200	700	550	1005	AS-H-CB 5553200LFU	1 unit	75.00
4000	700	550	1005	AS-H-CB 5554000LFU	1 unit	85.00
5000	700	550	1005	AS-H-CB 5555000LFU	1 unit	106.00
6300	850	650	1305	AS-H-CB 5556300LFU	1 unit	166.00

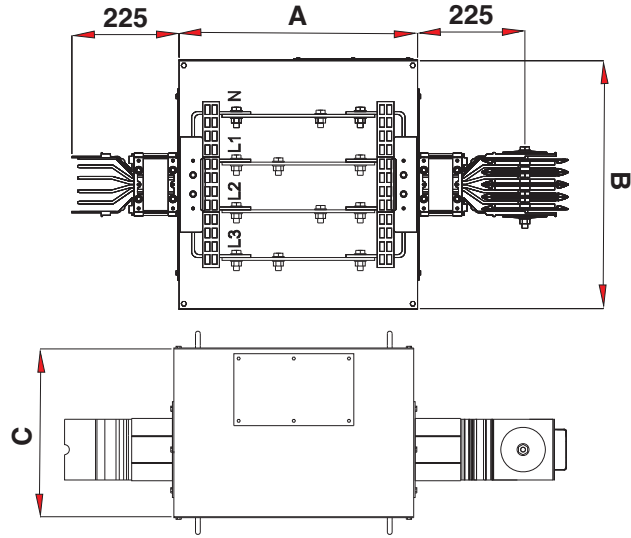
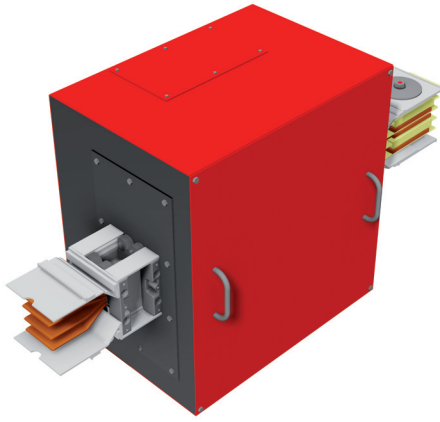
Left Feed Unit 3P+N+%50Pe

وحدة التغذية اليسرى Pe50%+N+P3 قطعة

Left Feed Unit (Al) وحدة التغذية اليسرى (ألومنيوم)



Rated (A) مقدر (أمبير)	Length (mm) الطول (مم)			Order No رقم الطلب	Pcs. القطع	Weight (Kg) الوزن (كغم)
Aluminium (Al)	A (mm)	B (mm)	C (mm)			
0800	500	550	405	AS-H-AB 5550800LFU	1 unit	20.00
1000	500	550	405	AS-H-AB 5551000LFU	1 unit	22.00
1250	500	550	405	AS-H-AB 5551250LFU	1 unit	24.00
1600	700	550	755	AS-H-AB 5551600LFU	1 unit	32.00
2000	700	550	755	AS-H-AB 5552000LFU	1 unit	37.00
2500	700	550	1005	AS-H-AB 5552500LFU	1 unit	57.00
3200	700	550	1005	AS-H-AB 5553200LFU	1 unit	64.00
4000	700	550	1005	AS-H-AB 5554000LFU	1 unit	77.00
5000	850	650	1305	AS-H-AB 5555000LFU	1 unit	123.00

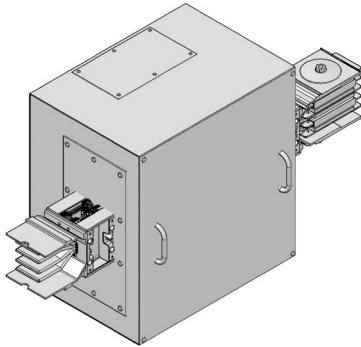


Center Feed Unit 3P+N+%50Pe

وحدة التغذية الوسطى 50%+N+P3 قطعة

Center Feed Unit (Cu)

وحدة التغذية الوسطى (نحاس)



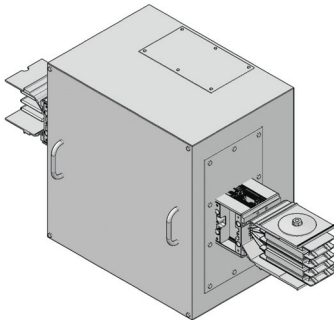
Rated (A) مقدر (أمبير)	Length (mm) الطول (مم)			Order No رقم الطلب	Pcs. القطع	Weight (Kg) الوزن (كغم)
Copper (Cu)	A (mm)	B (mm)	X (mm)			
0800	500	550	175	AS-H-CB 5550800CFU	1 unit	28.00
1000	500	550	175	AS-H-CB 5551000CFU	1 unit	34.00
1250	500	550	175	AS-H-CB 5551250CFU	1 unit	41.00
1600	500	550	175	AS-H-CB 5551600CFU	1 unit	48.00
2000	700	550	255	AS-H-CB 5552000CFU	1 unit	63.00
2500	700	550	255	AS-H-CB 5552500CFU	1 unit	80.00
3200	700	550	325	AS-H-CB 5553200CFU	1 unit	110.00
4000	700	550	325	AS-H-CB 5554000CFU	1 unit	129.00
5000	700	550	325	AS-H-CB 5555000CFU	1 unit	165.00
6300	850	650	375	AS-H-CB 5556300CFU	1 unit	278.00

Center Feed Unit 3P+N+%50Pe

وحدة التغذية الوسطى 50%+N+P3 قطعة

Center Feed Unit (Al)

وحدة التغذية الوسطى (الومنيوم)

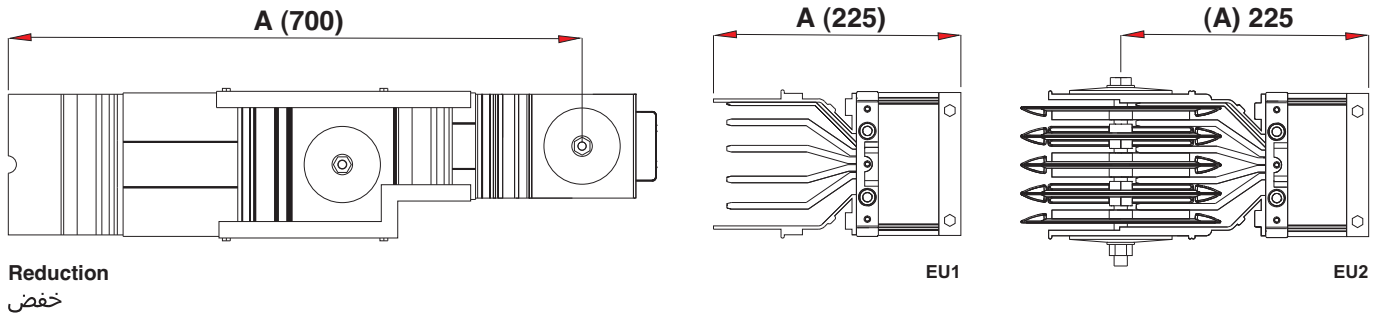


Rated (A) مقدر (أمبير)	Length (mm) الطول (مم)			Order No رقم الطلب	Pcs. القطع	Weight (Kg) الوزن (كغم)
Aluminium (Al)	A (mm)	B (mm)	X (mm)			
0800	500	550	175	AS-H-AB 5550800CFU	1 unit	24.00
1000	500	550	175	AS-H-AB 5551000CFU	1 unit	28.00
1250	500	550	175	AS-H-AB 5551250CFU	1 unit	32.00
1600	700	755	255	AS-H-AB 5551600CFU	1 unit	39.00
2000	700	550	255	AS-H-AB 5552000CFU	1 unit	47.00
2500	700	1005	325	AS-H-AB 5552500CFU	1 unit	70.00
3200	700	550	325	AS-H-AB 5553200CFU	1 unit	80.00
4000	700	550	325	AS-H-AB 5554000CFU	1 unit	100.00
5000	850	650	375	AS-H-AB 5555000CFU	1 unit	165.00

NEP Compact Busbar Trunking Systems

أنظمة توصيلات قضيب التوزيع المدمجة

High Power
طاقة عالية



Reduction
خفض

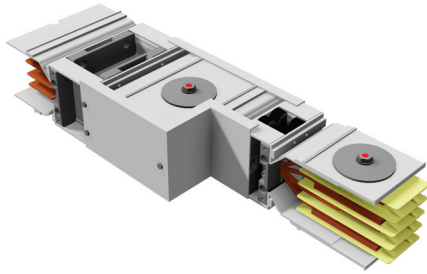
EU1

EU2

Reduction 3P+N+%50Pe

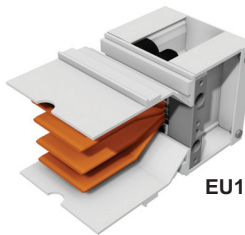
خفض 50%+N+P3 قطعة

Reduction خفض

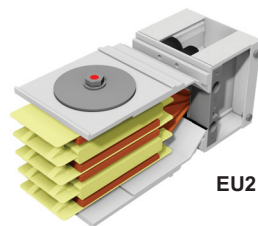


Rated (A) مقدر (أمبير)	Length (mm) الطول (مم)	Order No رقم الطلب	Pcs. القطع	Weight (Kg) الوزن (كغم)
Copper (Cu) A (mm)				
2500/5000	700	AS-H-CB 55508002550	1 unit	119.00
2500/6300	700	AS-H-CB 55510002563	1 unit	178.00
5000/6300	700	AS-H-CB 55512505063	1 unit	227.00
Aluminium (Al) A (mm)				
2000/4000	700	AS-H-AB 55508002040	1 unit	81.00
2000/5000	700	AS-H-AB 55510002050	1 unit	122.00
4000/5000	700	AS-H-AB 55512504050	1 unit	161.00

End Closer خفض



EU1

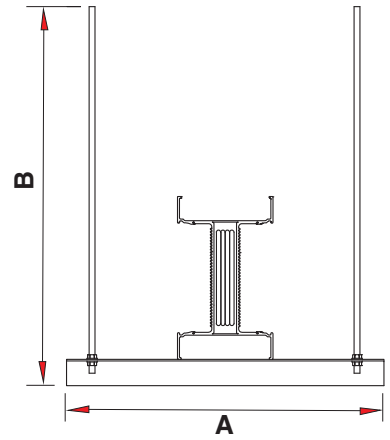
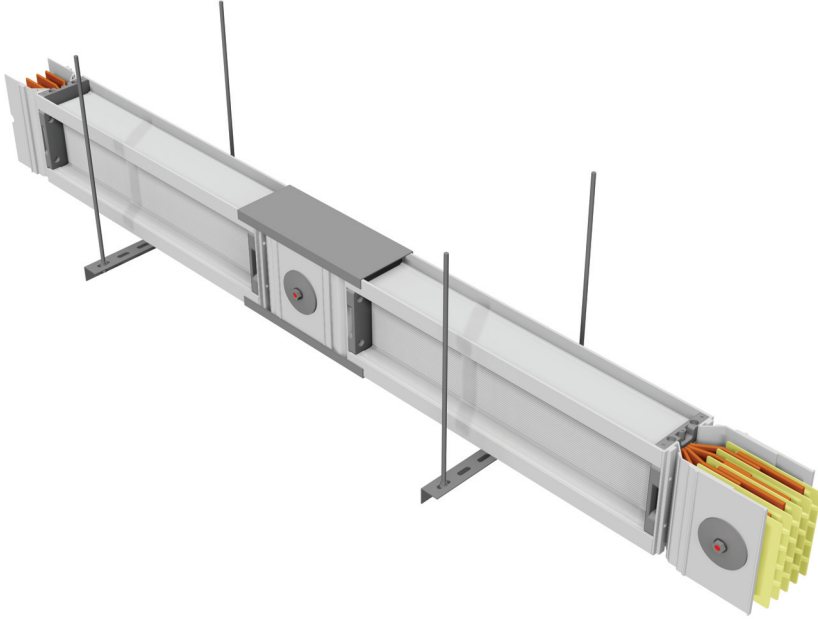


EU2

Rated (A) مقدر (أمبير)	Length (mm) الطول (مم)	Order No رقم الطلب	Pcs. القطع	Weight (Kg) الوزن (كغم)
Copper (Cu) A (mm)				
800/2500	225	AS-H-CB 5550800EU1	1 unit	31.00
3200/5000	225	AS-H-CB 5551000EU1	1 unit	51.00
6300	225	AS-H-CB 5551250EU1	1 unit	90.00
800/2500	225	AS-H-CB 5550800EU2	1 unit	38.00
3200/5000	225	AS-H-CB 5551000EU2	1 unit	58.00
6300	225	AS-H-CB 5551250EU2	1 unit	102.00
Aluminium (Al) A (mm)				
800/2000	225	AS-H-AB 5550800EU1	1 unit	12.00
2500/4000	225	AS-H-AB 5551000EU1	1 unit	21.00
5000	225	AS-H-AB 5551250EU1	1 unit	40.00
800/2000	225	AS-H-AB 5550800EU2	1 unit	15.00
2500/4000	225	AS-H-AB 5551000EU2	1 unit	26.00
5000	225	AS-H-AB 5551250EU2	1 unit	48.00

Fixing Elements

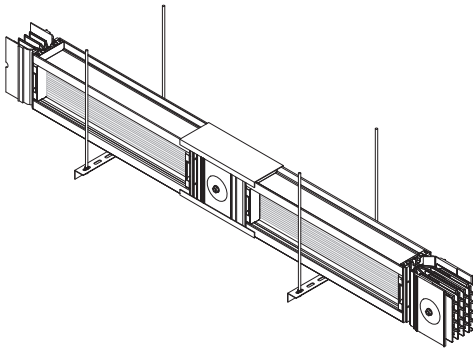
عناصر التثبيت



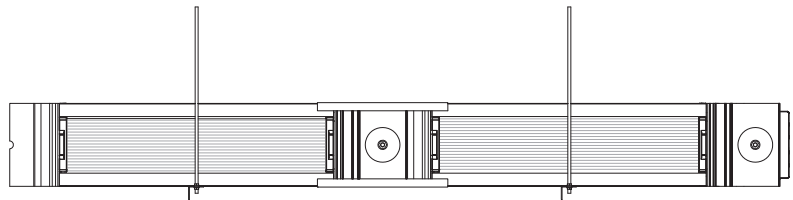
Single Type Horizontal Fixing

تثبيت أفقي من النوع الفردي

AS-H-AC 0001STHFIX

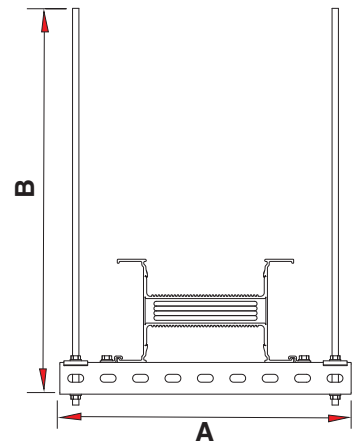
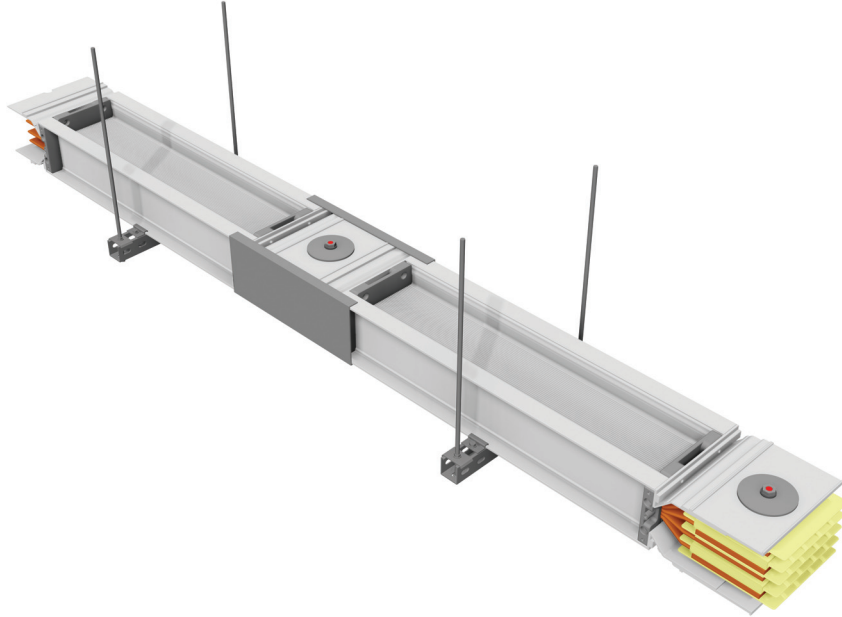


Rated (A) مقدور (أمبير)	Length (mm) الطول (مم)		Order No رقم الطلب	Pcs. القطع	Weight (Kg) الوزن (كغم)
Aluminium (Al)	A (mm)	B (mm)			
0800	250	1000	AS-H-AC 0801STHFIX	1 unit	4.00
1000	250	1000	AS-H-AC 1001STHFIX	1 unit	4.00
1250	250	1000	AS-H-AC 1251STHFIX	1 unit	4.00
1600	250	1000	AS-H-AC 1601STHFIX	1 unit	4.00
2000	250	1000	AS-H-AC 2001STHFIX	1 unit	4.00
2500	250	1000	AS-H-AC 2501STHFIX	1 unit	4.00
3200	250	1000	AS-H-AC 3201STHFIX	1 unit	6.00
4000	250	1000	AS-H-AC 4001STHFIX	1 unit	6.00
5000	250	1000	AS-H-AC 5001STHFIX	1 unit	9.00
6300	250	1000	AS-H-AC 6301STHFIX	1 unit	12.00



Fixing Elements

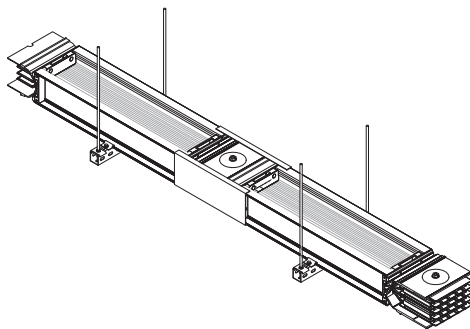
عناصر التثبيت



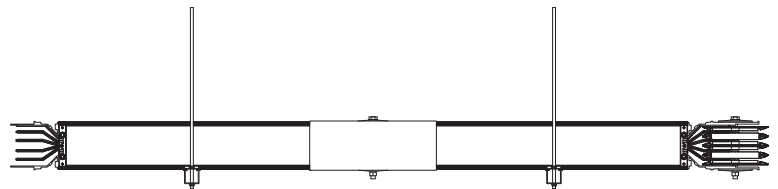
Single Type Horizontal Fixing

تثبيت أفقي من النوع الفردي

AS-H-AC 0002STHFIX

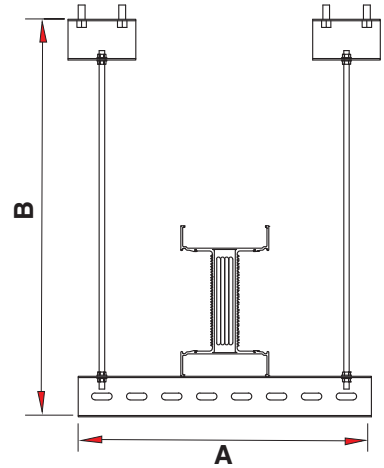
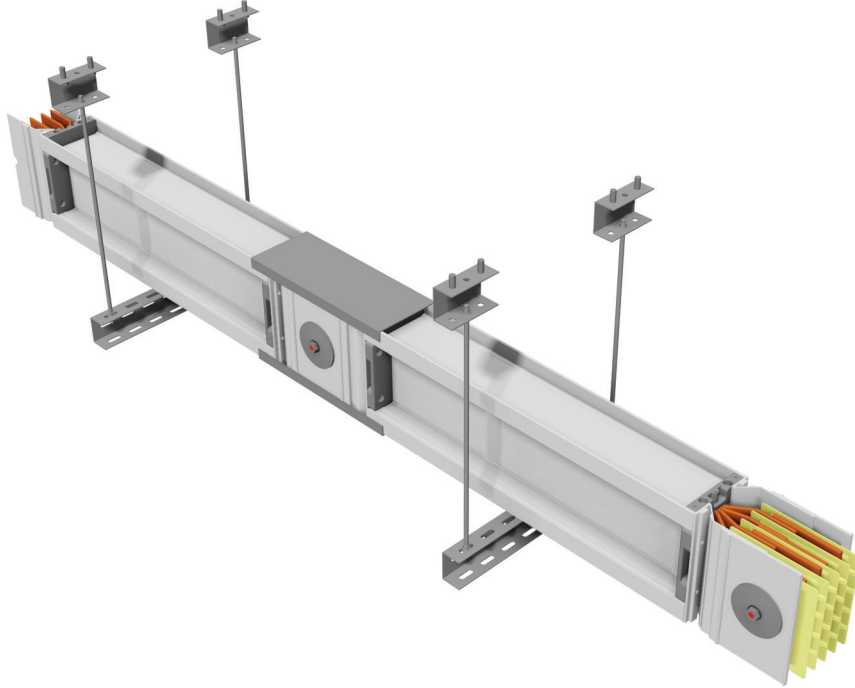


Rated (A) (مقدور (أمبير))	Length (mm) (الطول (مم))		Order No رقم الطلب	Pcs. القطع	Weight (Kg) (الوزن (كغم))
Aluminium (Al)	A (mm)	B (mm)			
0800	200	1000	AS-H-AC 0802STHFIX	1 unit	5.00
1000	250	1000	AS-H-AC 1002STHFIX	1 unit	5.00
1250	300	1000	AS-H-AC 1252STHFIX	1 unit	5.00
1600	350	1000	AS-H-AC 1602STHFIX	1 unit	5.00
2000	400	1000	AS-H-AC 2002STHFIX	1 unit	5.00
2500	450	1000	AS-H-AC 2502STHFIX	1 unit	5.00
3200	500	1000	AS-H-AC 3202STHFIX	1 unit	7.00
4000	550	1000	AS-H-AC 4002STHFIX	1 unit	7.00
5000	950	1000	AS-H-AC 5002STHFIX	1 unit	10.00
6300	950	1000	AS-H-AC 6302STHFIX	1 unit	14.00



Fixing Elements

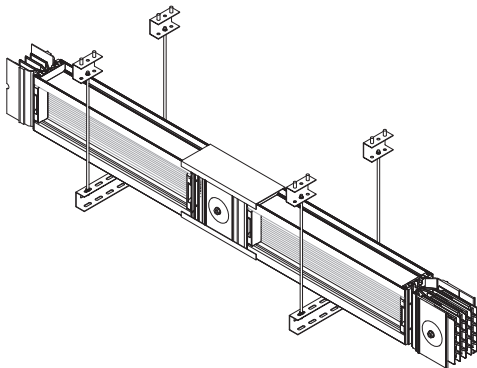
عناصر التثبيت



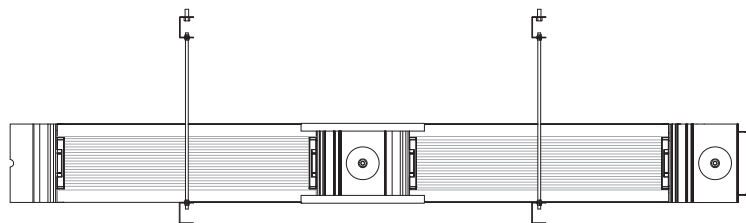
Single Type Horizontal Fixing

تثبيت أفقي من النوع الفردي

AS-H-AC 0003STHFIX

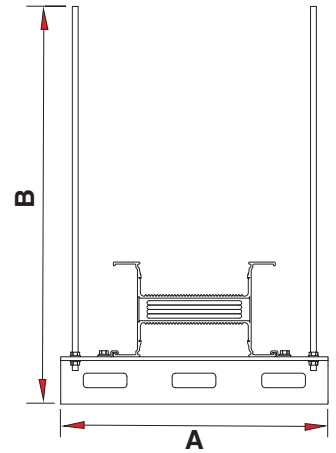
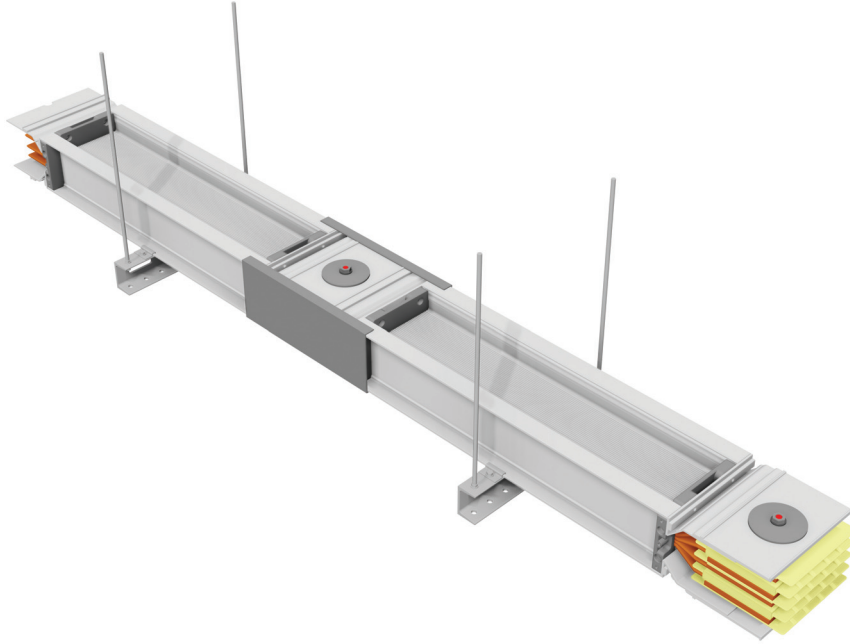


Rated (A) مقدر (أمبير)	Length (mm) الطول (مم)		Order No رقم الطلب	Pcs. القطع	Weight (Kg) الوزن (كغم)
Aluminium (Al)	A (mm)	B (mm)			
0800	350	1000	AS-H-AC 0803STHFIX	1 unit	5.00
1000	350	1000	AS-H-AC 1003STHFIX	1 unit	5.00
1250	350	1000	AS-H-AC 1253STHFIX	1 unit	5.00
1600	350	1000	AS-H-AC 1603STHFIX	1 unit	5.00
2000	350	1000	AS-H-AC 2003STHFIX	1 unit	5.00
2500	350	1000	AS-H-AC 2503STHFIX	1 unit	5.00
3200	350	1000	AS-H-AC 3203STHFIX	1 unit	7.00
4000	350	1000	AS-H-AC 4003STHFIX	1 unit	7.00
5000	350	1000	AS-H-AC 5003STHFIX	1 unit	10.00
6300	350	1000	AS-H-AC 6303STHFIX	1 unit	14.00



Fixing Elements

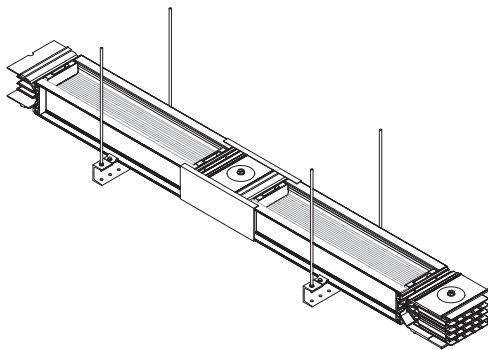
عناصر التثبيت



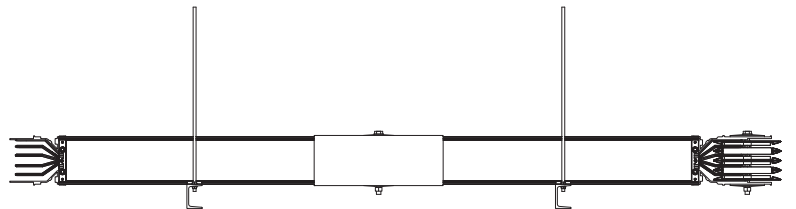
Single Type Horizontal Fixing

تثبيت أفقي من النوع الفردي

AS-H-AC 0004STHFIX

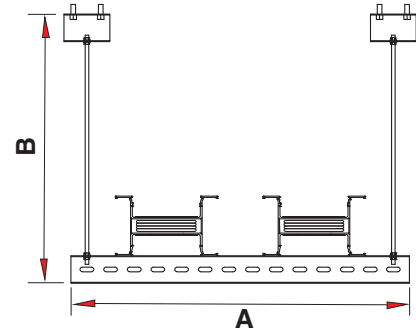
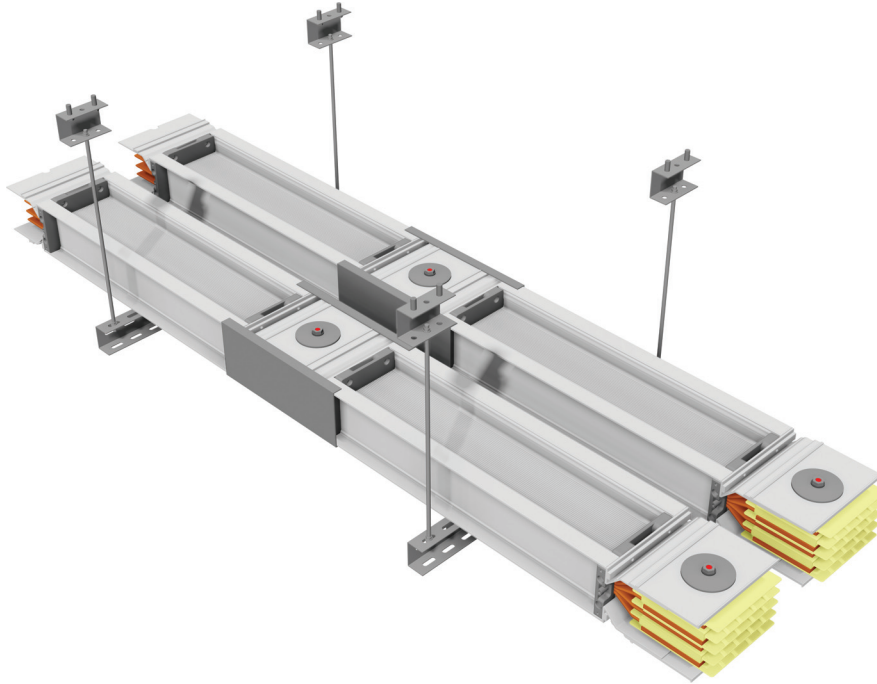


Rated (A) مقدر (أمبير)	Length (mm) الطول (مم)		Order No رقم الطلب	Pcs. القطع	Weight (Kg) الوزن (كغم)
Aluminium (Al)	A (mm)	B (mm)			
0800	200	1000	AS-H-AC 0804STHFIX	1 unit	9.00
1000	250	1000	AS-H-AC 1004STHFIX	1 unit	9.00
1250	300	1000	AS-H-AC 1254STHFIX	1 unit	9.00
1600	350	1000	AS-H-AC 1604STHFIX	1 unit	9.00
2000	400	1000	AS-H-AC 2004STHFIX	1 unit	9.00
2500	450	1000	AS-H-AC 2504STHFIX	1 unit	9.00
3200	500	1000	AS-H-AC 3204STHFIX	1 unit	12.00
4000	550	1000	AS-H-AC 4004STHFIX	1 unit	12.00
5000	950	1000	AS-H-AC 5004STHFIX	1 unit	12.00
6300	950	1000	AS-H-AC 6304STHFIX	1 unit	12.00



Fixing Elements

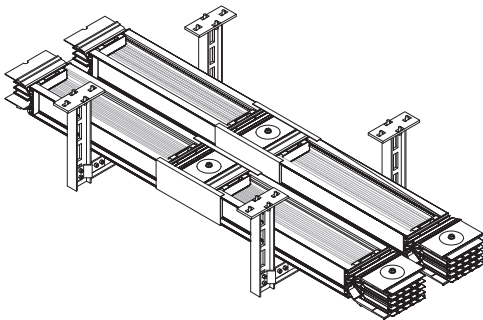
عناصر التثبيت



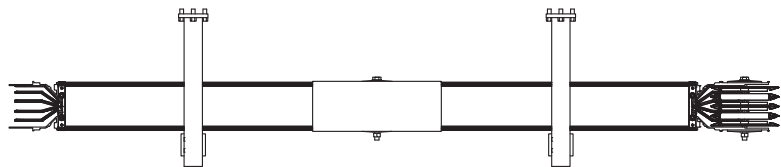
Double Type Horizontal Fixing

تثبيت أفقي من النوع المزدوج

AS-H-AC 000 5DTHFIX

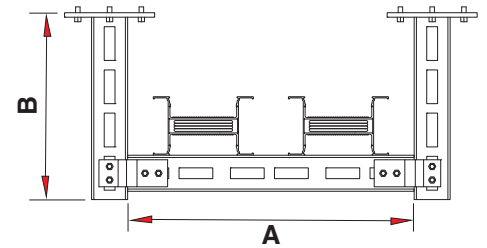
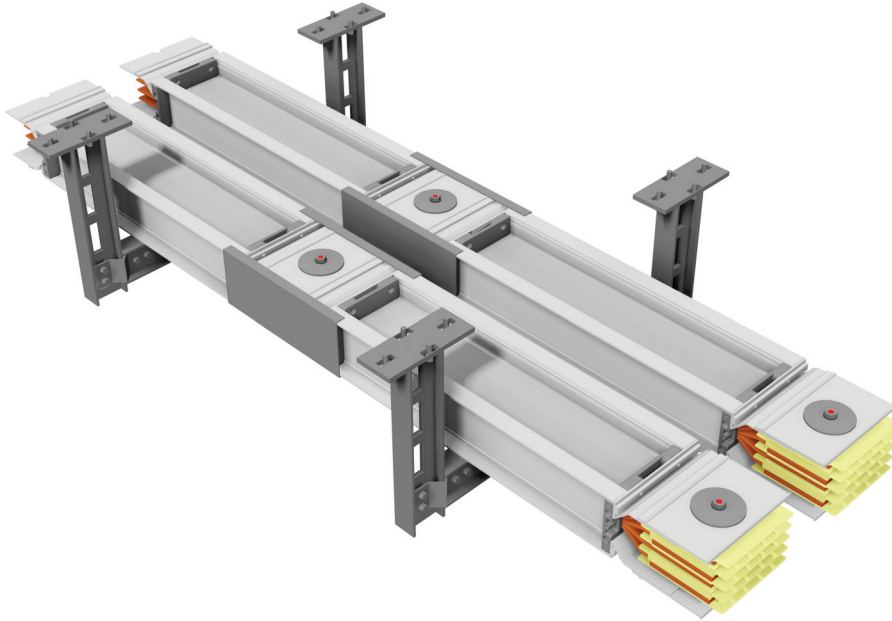


Rated (A) مقدرة (أمبير)	Length (mm) الطول (مم)		Order No رقم الطلب	Pcs. القطع	Weight (Kg) الوزن (كغم)
Aluminium (Al)	A (mm)	B (mm)			
0800	XXX	1000	AS-H-AC 080 5DTHFIX	1 unit	24.00
1000	XXX	1000	AS-H-AC 100 5DTHFIX	1 unit	32.00
1250	XXX	1000	AS-H-AC 125 5DTHFIX	1 unit	36.00
1600	XXX	1000	AS-H-AC 160 5DTHFIX	1 unit	48.00
2000	XXX	1000	AS-H-AC 200 5DTHFIX	1 unit	54.00
2500	XXX	1000	AS-H-AC 250 5DTHFIX	1 unit	64.00
3200	XXX	1000	AS-H-AC 320 5DTHFIX	1 unit	78.00
4000	XXX	1000	AS-H-AC 400 5DTHFIX	1 unit	82.00
5000	XXX	1000	AS-H-AC 500 5DTHFIX	1 unit	98.00
6300	XXX	1000	AS-H-AC 630 5DTHFIX	1 unit	98.00



Fixing Elements

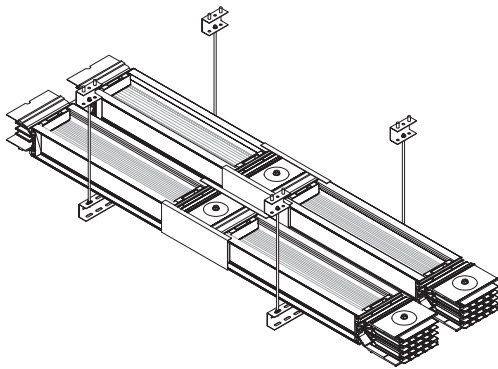
عناصر التثبيت



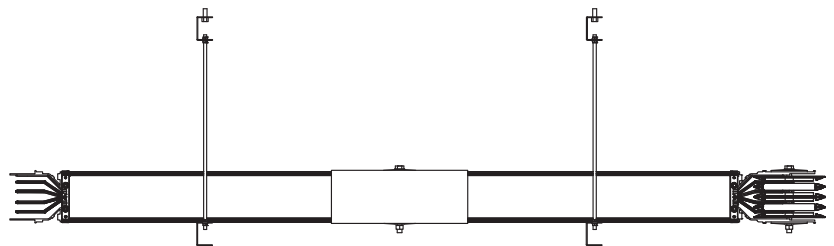
Double Type Horizontal Fixing

تثبيت أفقي من النوع المزدوج

AS-H-AC 0006DTHFIX

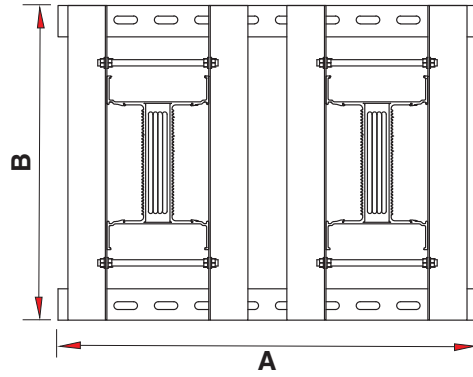
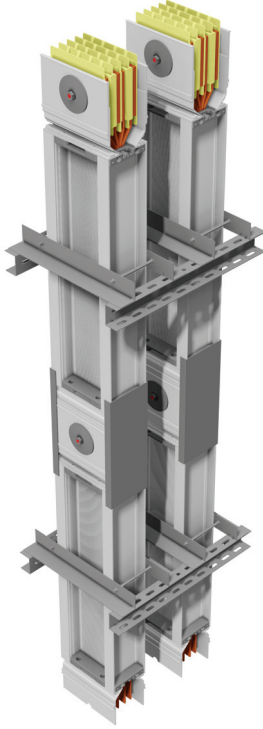


Rated (A) مقدر (أمبير)	Length (mm) الطول (مم)		Order No رقم الطلب	Pcs. القطع	Weight (Kg) الوزن (كغم)
Aluminium (Al)	A (mm)	B (mm)			
0800	XXX	1000	AS-H-AC 0806DTHFIX	1 unit	9.00
1000	XXX	1000	AS-H-AC 1006DTHFIX	1 unit	9.00
1250	XXX	1000	AS-H-AC 1256DTHFIX	1 unit	9.00
1600	XXX	1000	AS-H-AC 1606DTHFIX	1 unit	9.00
2000	XXX	1000	AS-H-AC 2006DTHFIX	1 unit	9.00
2500	XXX	1000	AS-H-AC 2506DTHFIX	1 unit	9.00
3200	XXX	1000	AS-H-AC 3206DTHFIX	1 unit	12.00
4000	XXX	1000	AS-H-AC 4006DTHFIX	1 unit	12.00
5000	XXX	1000	AS-H-AC 5006DTHFIX	1 unit	12.00
6300	XXX	1000	AS-H-AC 6306DTHFIX	1 unit	12.00



Fixing Elements

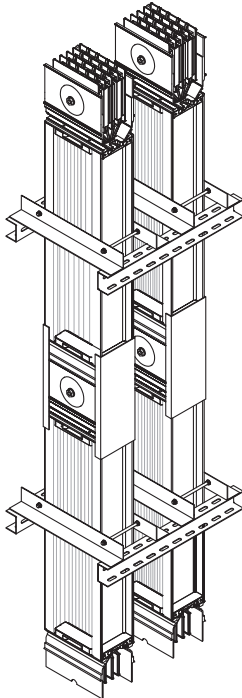
عناصر التثبيت



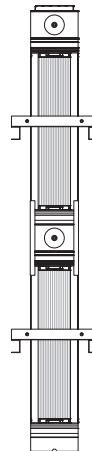
Double Type Vertical Fixing

تثبيت عمودي من النوع المزدوج

AS-H-AC 0007DTVFIX

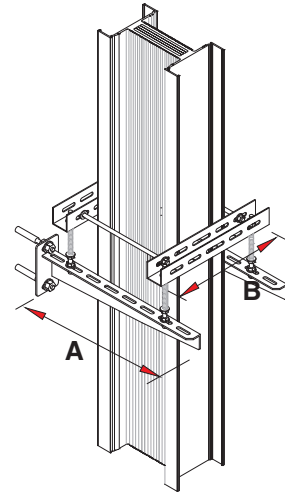
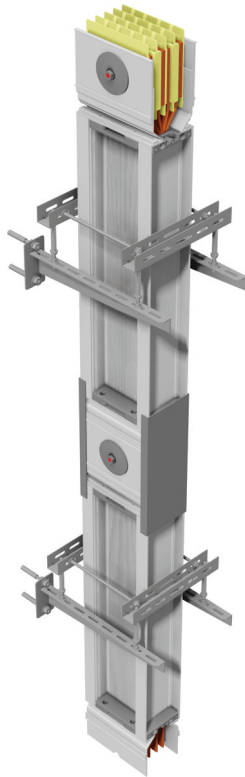


Rated (A) مقدر (أمبير)	Length (mm) الطول (مم)		Order No رقم الطلب	Pcs. القطع	Weight (Kg) الوزن (كغم)
Aluminium (Al)	A (mm)	B (mm)			
0800	500	400	AS-H-AC 0807DTVFIX	1 unit	4.00
1000	500	400	AS-H-AC 1007DTVFIX	1 unit	4.00
1250	500	400	AS-H-AC 1257DTVFIX	1 unit	4.00
1600	500	400	AS-H-AC 1607DTVFIX	1 unit	4.00
2000	500	400	AS-H-AC 2007DTVFIX	1 unit	4.00
2500	500	400	AS-H-AC 2507DTVFIX	1 unit	4.00
3200	500	750	AS-H-AC 3207DTVFIX	1 unit	6.00
4000	500	750	AS-H-AC 4007DTVFIX	1 unit	6.00
5000	500	1000	AS-H-AC 5007DTVFIX	1 unit	9.00
6300	500	1000	AS-H-AC 6307DTVFIX	1 unit	12.00



Fixing Elements

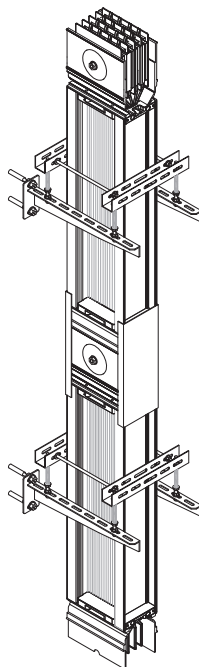
عناصر التثبيت



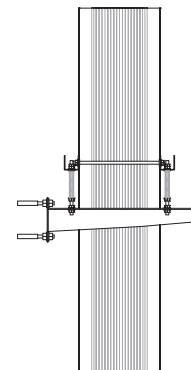
Double Type Vertical Fixing

تثبيت عمودي من النوع المزدوج

AS-H-AC 0008DTVFIX



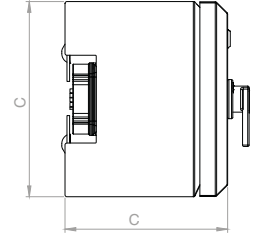
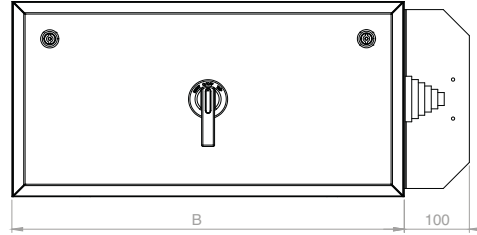
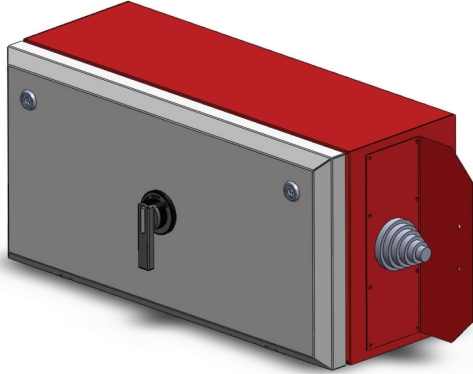
Rated (A) مقدر (أمبير)	Length (mm) الطول (مم)		Order No رقم الطلب	Pcs. القطع	Weight (Kg) الوزن (كغم)
Aluminium (Al)	A (mm)	B (mm)			
0800	200	250	AS-H-AC 0808DTVFIX	1 unit	5.00
1000	250	250	AS-H-AC 1008DTVFIX	1 unit	5.00
1250	300	250	AS-H-AC 1258DTVFIX	1 unit	5.00
1600	350	250	AS-H-AC 1608DTVFIX	1 unit	5.00
2000	400	250	AS-H-AC 2008DTVFIX	1 unit	5.00
2500	450	250	AS-H-AC 2508DTVFIX	1 unit	5.00
3200	500	250	AS-H-AC 3208DTVFIX	1 unit	7.00
4000	550	250	AS-H-AC 4008DTVFIX	1 unit	7.00
5000	950	250	AS-H-AC 5008DTVFIX	1 unit	10.00
6300	1000	250	AS-H-AC 6308DTVFIX	1 unit	14.00



NEP Compact Busbar Trunking Systems

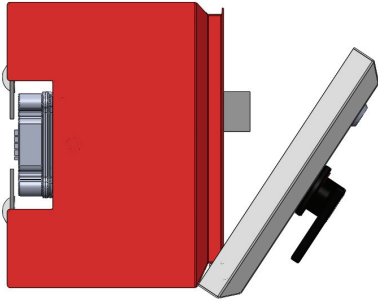
أنظمة توصيلات قضيب التوزيع المدمجة

High Power
طاقة عالية



PLUG-IN TAP OFF BOX

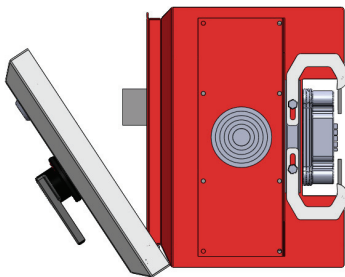
صندوق إيقاف الأداة بالتوصيل



Rated (A) مقدر (أمبير)	Length (mm) الطول (مم)			Order No رقم الطلب	Pcs. القطع	Weight (Kg) الوزن (كغم)
Copper (Cu)	A (mm)	B (mm)	C (mm)			
160	300	600	250	AS-H-CP 555016001	1 unit	16.00
250	300	600	250	AS-H-CP 555025001	1 unit	20.00
400	300	700	250	AS-H-CP 555040001	1 unit	27.00
630	350	700	300	AS-H-CP 555063001	1 unit	36.00

PLUG-IN TAP OFF BOX

صندوق إيقاف الأداة المزودة بقباس



Rated (A) مقدر (أمبير)	Length (mm) الطول (مم)			Order No رقم الطلب	Pcs. القطع	Weight (Kg) الوزن (كغم)
Aluminium (Al)	A (mm)	B (mm)	C (mm)			
160	300	600	250	AS-H-AP 555016001	1 unit	16.00
250	300	600	250	AS-H-AP 555025001	1 unit	20.00
400	300	700	250	AS-H-AP 555040001	1 unit	27.00
630	350	700	300	AS-H-AP 555063001	1 unit	36.00

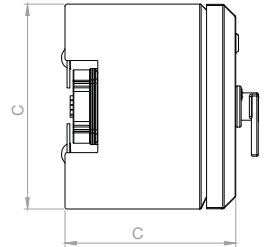
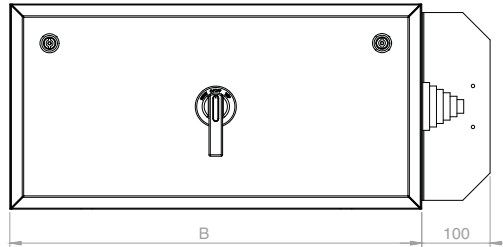
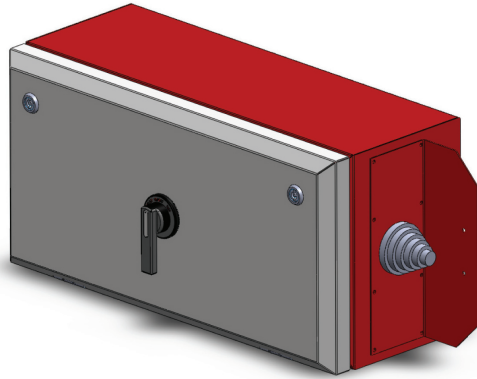
It is available to use with circuit breaker.
Please inform this when ordering

يتوافر للاستخدام مع قاطع الدائرة. برجاء تعبئة
النموذج عند إجراء الطلب

NEP Compact Busbar Trunking Systems

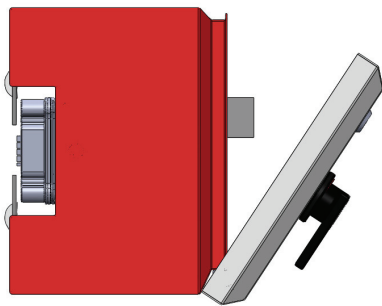
أنظمة توصيلات قضيب التوزيع المدمجة

High Power
طاقة عالية



BOLT ON TAP-OF BOX

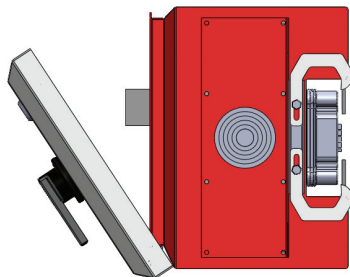
صندوق إيقاف الأداة المزودة بمسمار



Rated (A) مقدر (أمبير)	Length (mm) الطول (مم)			Order No رقم الطلب	Pcs. القطع	Weight (Kg) الوزن (كغم)
Copper (Cu)	A (mm)	B (mm)	C (mm)			
160	300	600	250	AS-H-CB 555016002	1 unit	16.00
250	300	600	250	AS-H-CB 555025002	1 unit	20.00
400	300	700	250	AS-H-CB 555040002	1 unit	27.00
630	350	700	300	AS-H-CB 555063002	1 unit	36.00
800	350	750	300	AS-H-CB 555080002	1 unit	43.00
1000	350	750	300	AS-H-CB 555100002	1 unit	45.00

BOLT ON TAP-OF BOX

صندوق إيقاف الأداة المزودة بمسمار



Rated (A) مقدر (أمبير)	Length (mm) الطول (مم)			Order No رقم الطلب	Pcs. القطع	Weight (Kg) الوزن (كغم)
Aluminium (Al)	A (mm)	B (mm)	C (mm)			
160	300	600	250	AS-H-AB 555016002	1 unit	16.00
250	300	600	250	AS-H-AB 555025002	1 unit	20.00
400	300	700	250	AS-H-AB 555040002	1 unit	27.00
630	350	700	300	AS-H-AB 555063002	1 unit	36.00
800	350	750	750	AS-H-AB 555080002	1 unit	43.00
1000	350	750	750	AS-H-AB 555100002	1 unit	45.00

It is available to use with circuit breaker.
Please inform this when ordering

يتوافر للاستخدام مع قاطع الدائرة. برجاء تعبئة النموذج عند إجراء الطلب