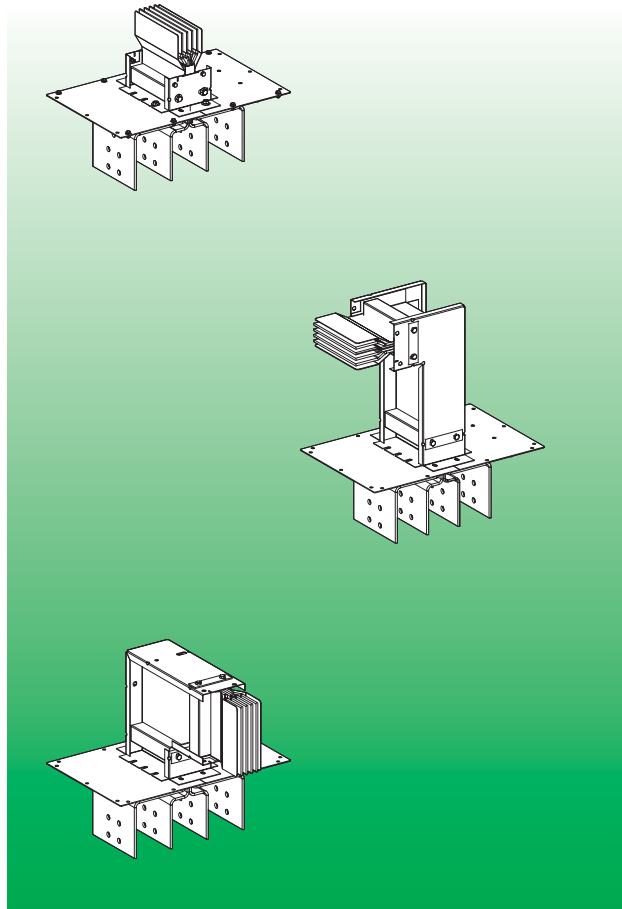




Canalis

KT...ER...

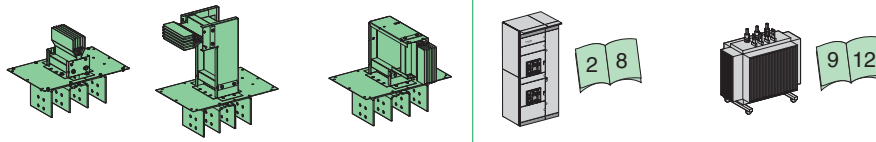
KT



AAV17625 02

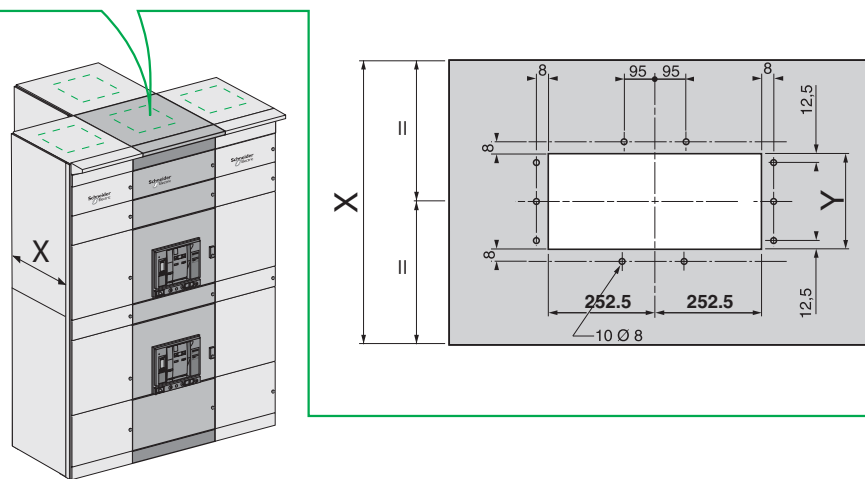
Merlin Gerin
 Square D
 Telemecanique

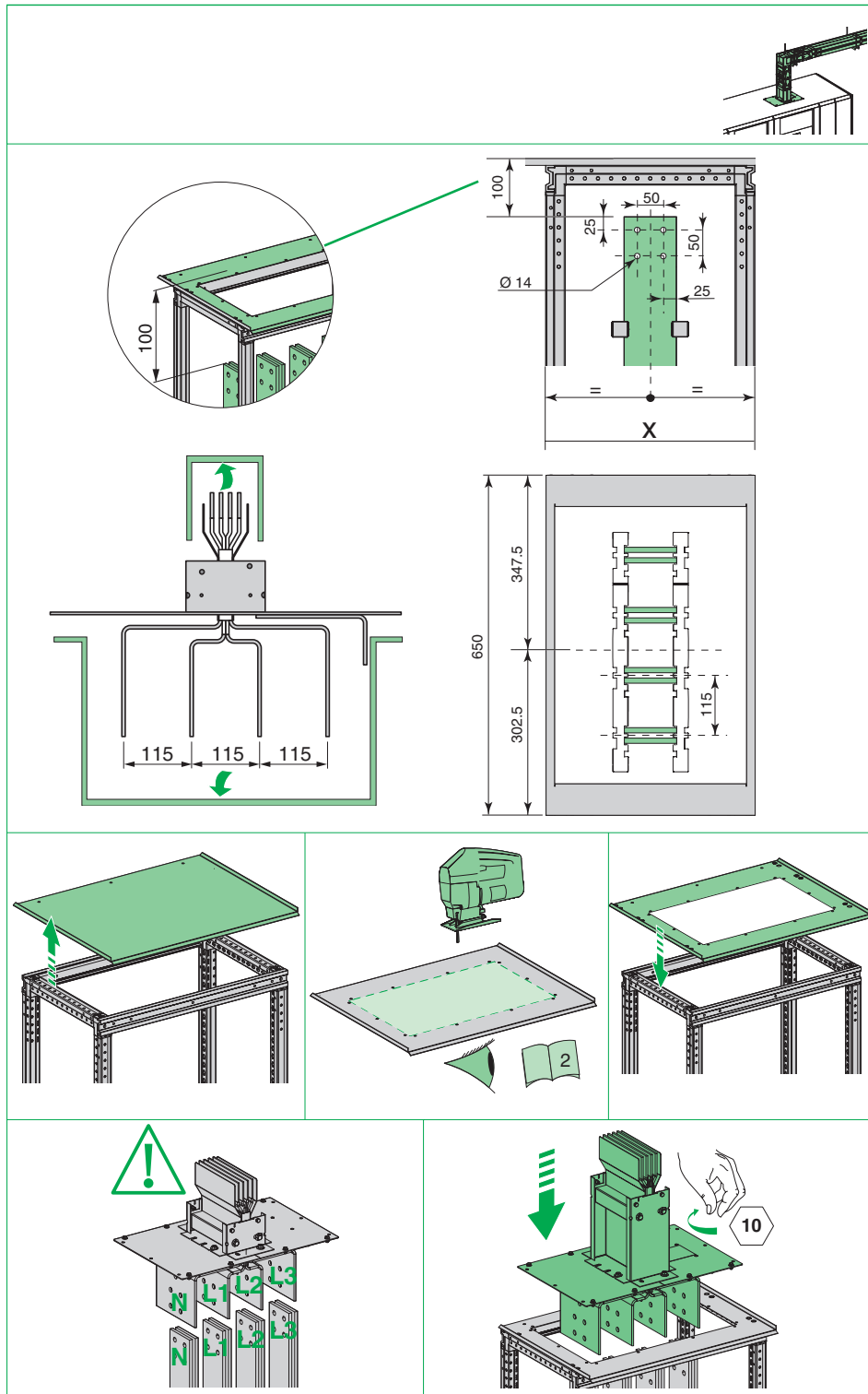
Schneider
 **Electric**



KTA1000	KTA1250	KTA1600	KTA2000	KTA2500	KTA3200	KTA4000
KTC1350	KTC1600	KTC2000	KTC2500	KTC3200	KTC4000	KTC5000

KTA	KTC	Y	X mini
1000 A...1250 A	1000 A...1600 A	190	400
1600 A...2500 A	2000 A...3200 A	310	400
3200 A... 4000 A	4000 A...5000 A	470	600







KTA 1000.....4000 A
KTC 1350.....5000 A

19

2

3

2

KT B0000YB2

22

!

KG

ok

Clac!

Clac!

22

6 daN.m

Clac!

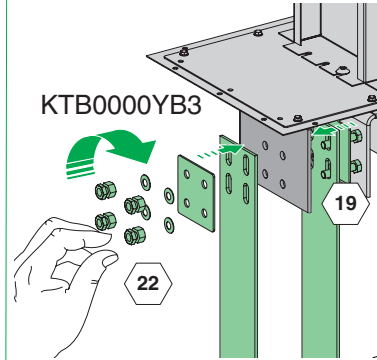
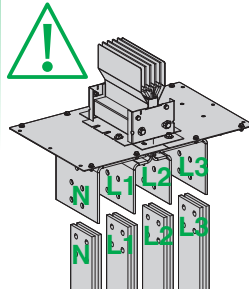
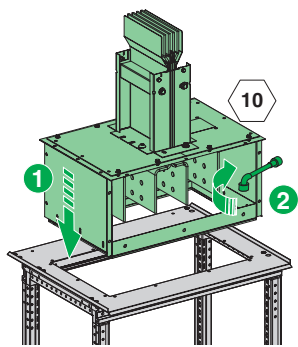
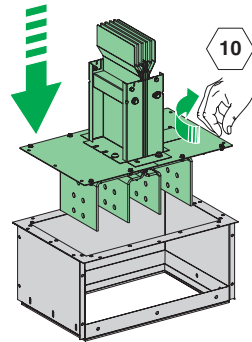
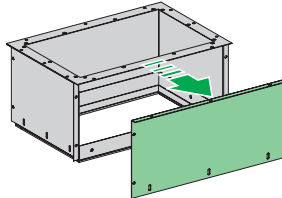
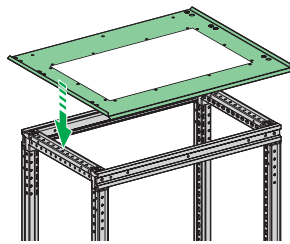
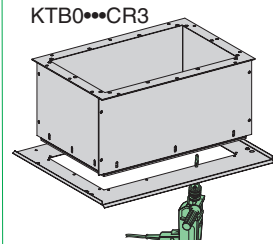
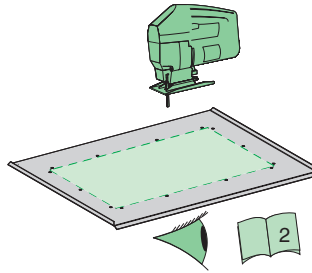
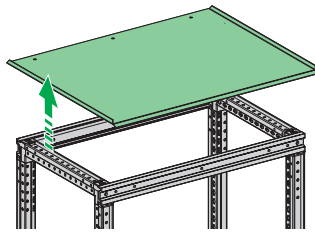
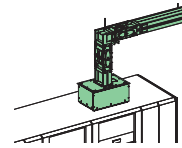
22

6 daN.m

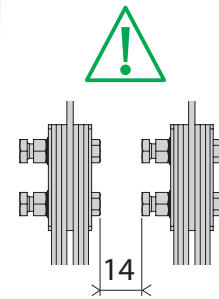




KTA 1000.....4000 A
KTC 1350.....5000 A



KTA 1000...1600 KTC 1350...1600	KTA 2000...2500 KTC 2000...2500	KTA 3200 KTC 3200	KTA 4000 KTC 4000	KTC 5000





KG

ok

l _{cw} (1s)	X
l _{cw} ≤ 43kA	400
43kA < l _{cw} ≤ 50kA	225
50kA < l _{cw} ≤ 100kA	150

Clac!

Clac!

22

6 daN.m

Clac!

22

6 daN.m

1

2





KTBO...CR1

2

2

2

3

10

1

2

3

N L1 L2 L3

N L1 L2 L3

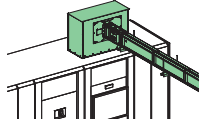
10


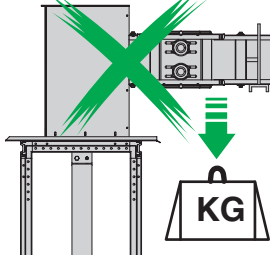
22

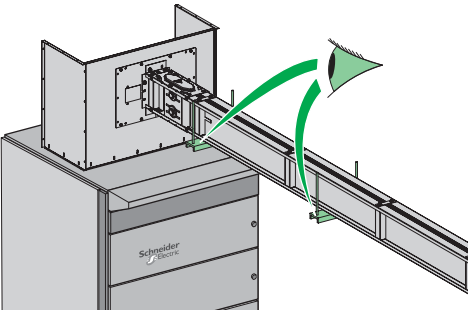
19

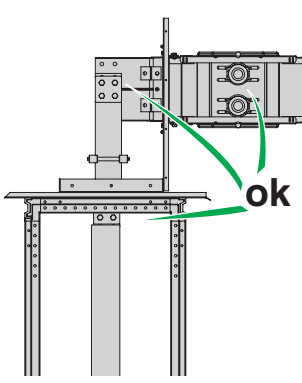
					<p>14</p>
KTA 1000...1600 KTC 1350...1600	KTA 2000...2500 KTC 2000...2500	KTA 3200 KTC 3200	KTA 4000 KTC 4000	KTC 5000	

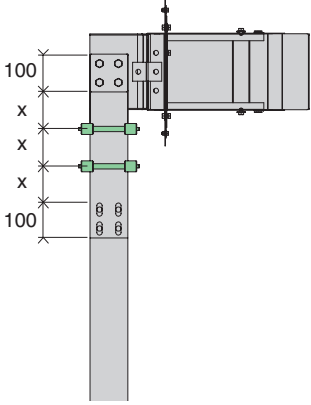




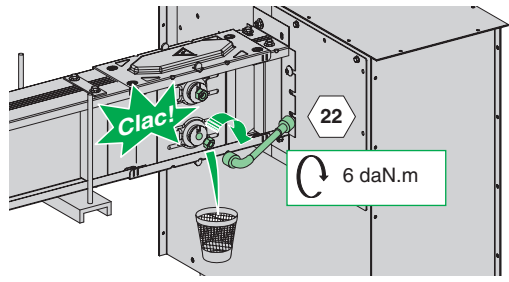



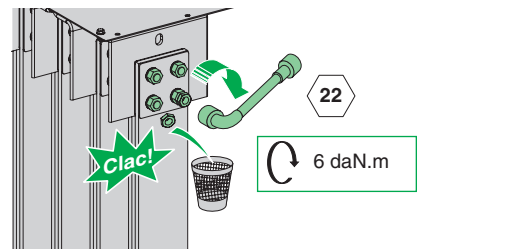


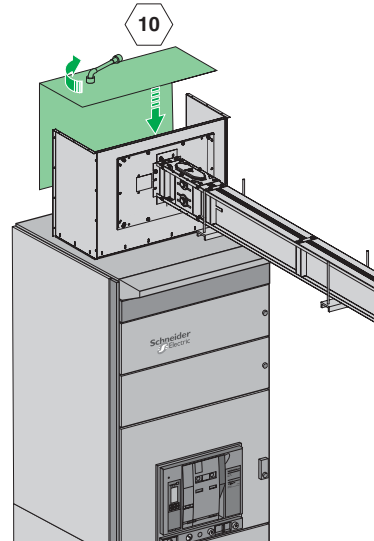




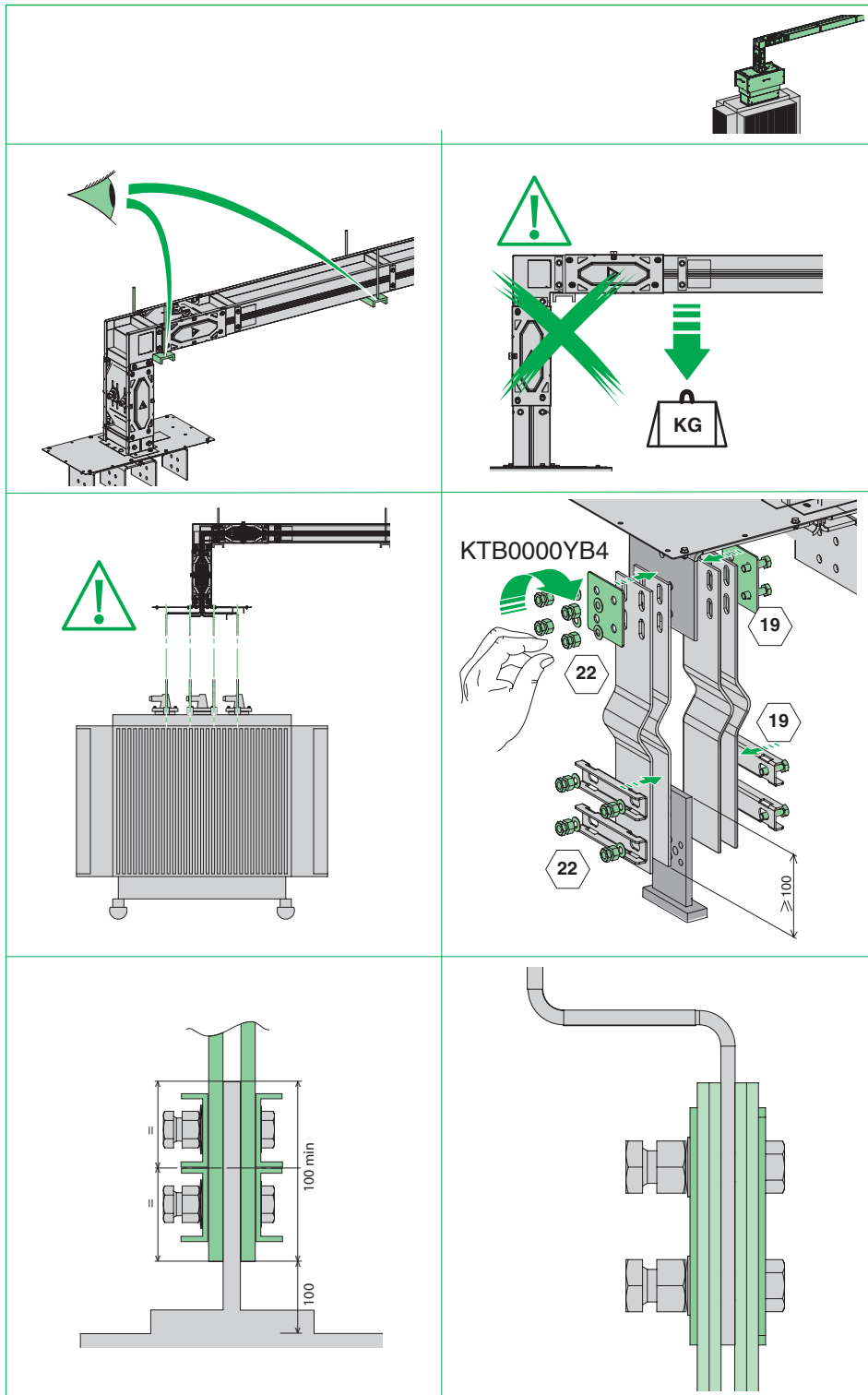
I_{cw} (1s)	X
$I_{cw} \leq 43kA$	400
$43kA < I_{cw} \leq 50kA$	225
$50kA < I_{cw} \leq 100kA$	150

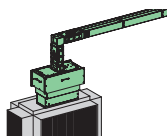


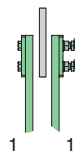
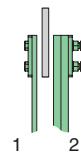
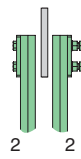
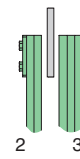
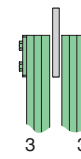



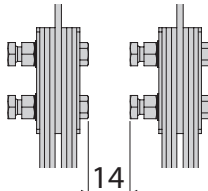




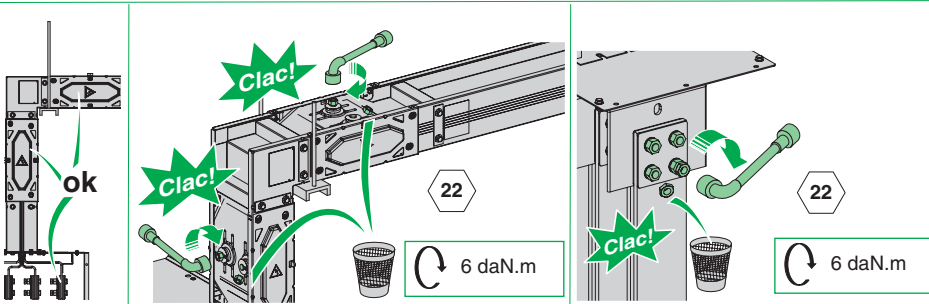


				
1 1	1 2	2 2	2 3	3 3
KTA 1000...1600 KTC 1350...1600	KTA 2000...2500 KTC 2000...2500	KTA 3200 KTC 3200	KTA 4000 KTC 4000	KTC 5000

14



ok

Clac!

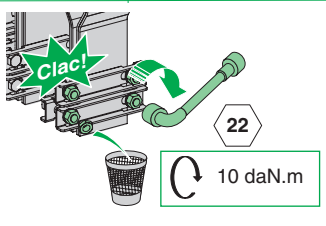
22

6 daN.m

Clac!

22

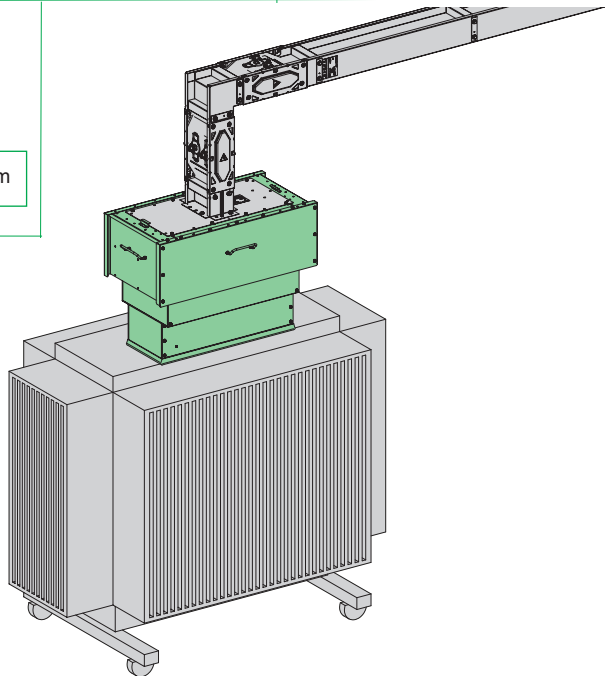


6 daN.m



Clac!

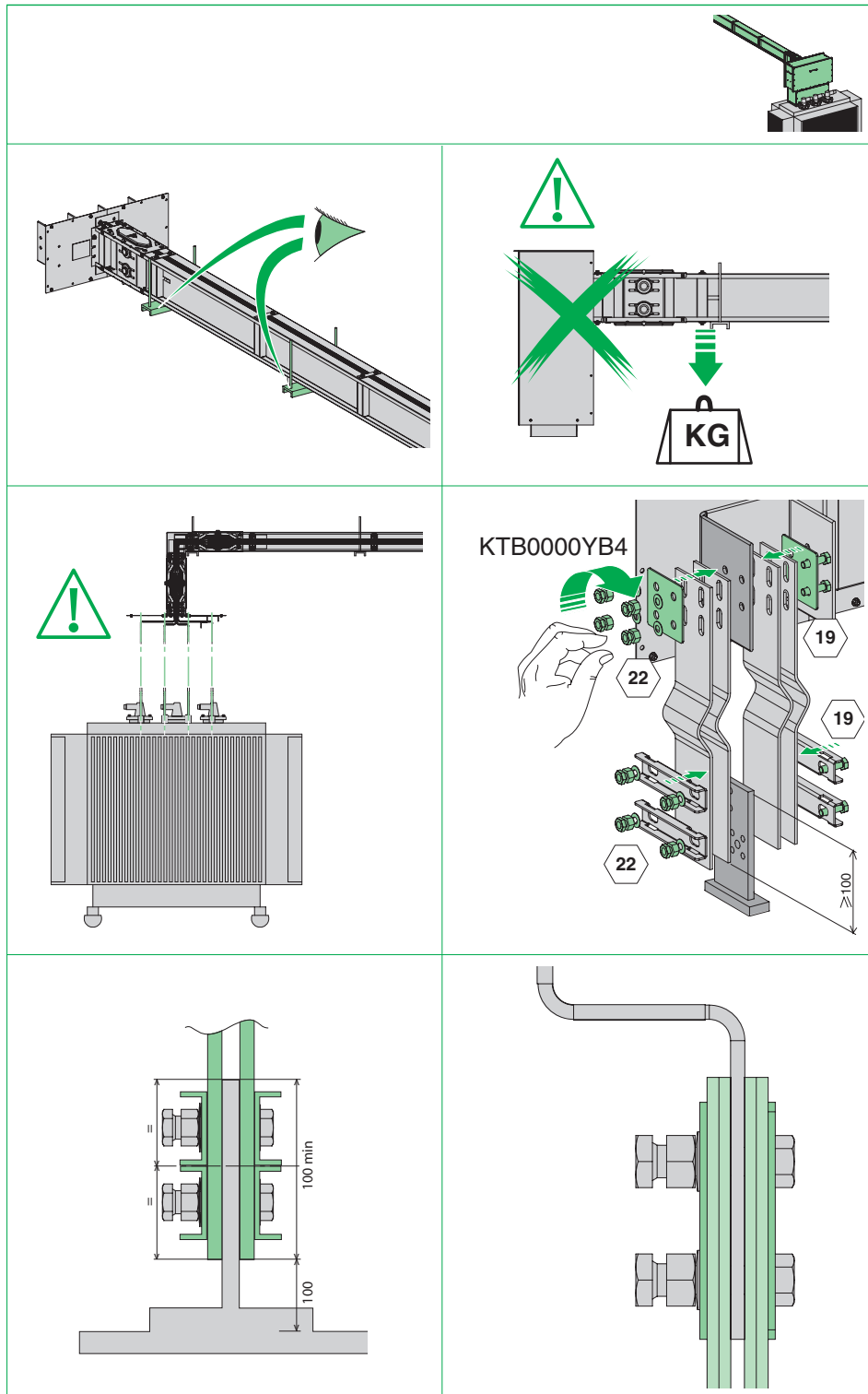
22

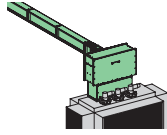
10 daN.m

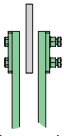
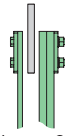
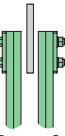
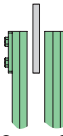
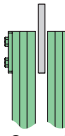





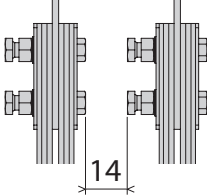
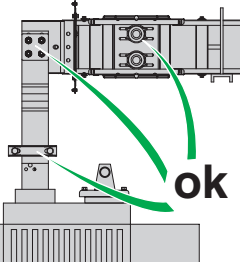
IS AAV32048



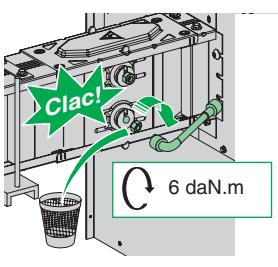


				
KTA 1000...1600 KTC 1350...1600	KTA 2000...2500 KTC 2000...2500	KTA 3200 KTC 3200	KTA 4000 KTC 4000	KTC 5000

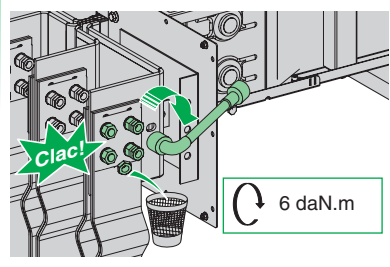




ok



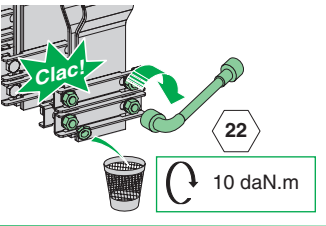
Clac!

6 daN.m



Clac!

6 daN.m

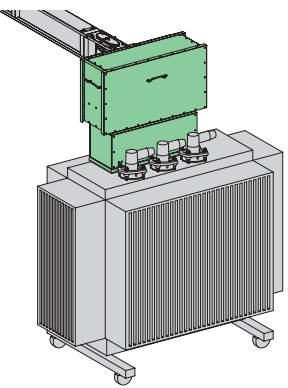


Clac!

22

10 daN.m

IS AAV32050



Schneider Electric Industries SAS

89, boulevard Franklin Roosevelt
F - 92500 Rueil-Malmaison (France)
Tel : + 33 (0) 1 41 29 85 00
Fax : + 33 (0) 1 41 29 89 01
<http://www.schneider-electric.com>

En raison de l'évolution des normes et du matériel, les caractéristiques indiquées par les textes et les images de ce document ne nous engageant qu'après confirmation par nos services.

As standards, specifications and designs change from time to time, please ask for confirmation of the information given in the publication.



Ce document a été imprimé sur du papier écologique.
This document has been printed on ecological paper.

Publication : Schneider Electric
Réalisation : Polynotes
Format de pliage : 145 x 210 mm